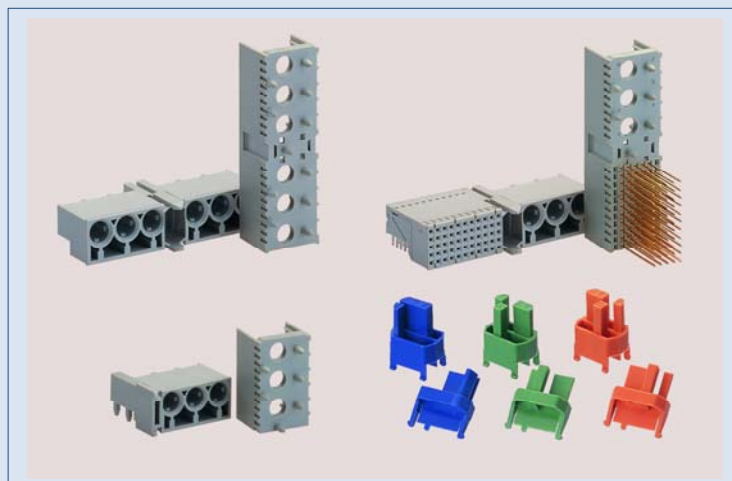
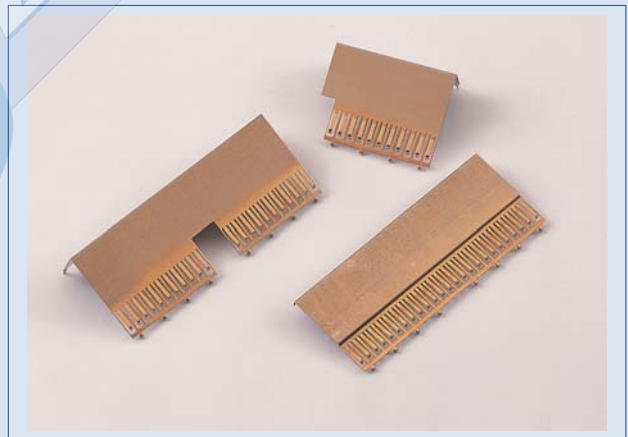
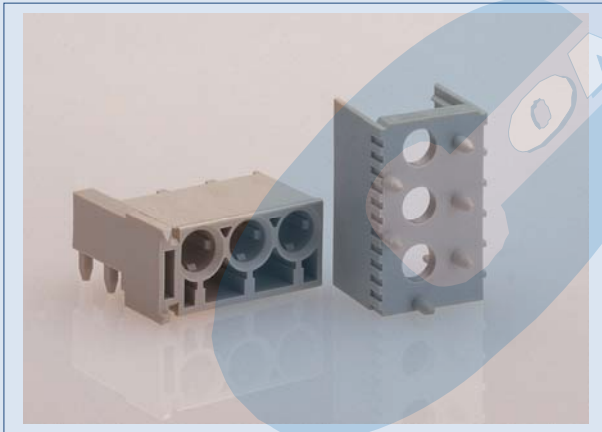


2.00 mm. HARD METRIC CONNECTORS



2.00 mm. HARD METRIC CONNECTORS



General Specifications.

General Features

- Available in type A, AB25, AB22, AB19, B25, B22, B19, C, L, M and N with full sets of keys
- Upper and lower shielding for the female connector.
- Three different pin length in contact area and four different length in rear mating area for the male connector
- Full series are in press-fit termination
- Inverse mating configuration
- Minimum wiping length: 2,5 mm
- Meet standard coding system(MPC) according to IEC61076-4-101
- Two rows(z and f) of male connectors are for the shielding of female connectors
- Recommended plated through hole 0,60 +-0,05 mm for the press-fitting
- Ideal for digital high speed data applications with excellent parameters for impedance match, propagation delay, cross talk, reflection
- End to end stackable
- Five signal rows plus outer rows for shieldings
- 2.00 mm Hard metric and DIN 41612 connectors can be used on the same PCB as both have the same mating distance
- Coding system prevents mix-up and wrong mating between male and female connectors
- Rear pin options (4 lengths) for through the backplane I/O applications
- High density capability
- Shield for EMI/RFI protection
- Expandability for end user application

Mechanical features

- Grid size: 2,00 mm
- Air and creepage distance: Male 0,80, Female 0,60 mm.
- Contact level: Level 1 (5,30 mm); Level 2 (6,80 mm); Level 3 (8,30 mm)
- Mating force for signal contact: 0,075 Kg f Maximum x contact
- Mating force for shield contact: 0,1 Kg f Max. x contact
- Withdrawal force: 0,015 Kg f Min. per contact
- Termination: Press-fit
- Misalignment: Longitudinal +- 2,00 mm
Latitudinal: +- 2,50 mm
- Inclination: ± 2 degree
- PCB plated through hole
Drilled hole: 0,69 to 0,72 mm diameter
Cu: 25 µ min.
Sn: 5-15 µ min.
- Plated hole: 0,55 to 0,65 mm diameter

Materials

- Insulator: Glass filled Polyester UL 94 V-0
- Contact: Phosphor bronze
- U/L file E149341, Electric rating: 250V, 2A
- Operating temperature. -55°C to + 125°C
- RoHS compliant

Electrical Features

- Current rating: 1,5 A at 20 °C. 1 A at 70° C
- Contact resistance: 0,20 milliohms max.
- Insulation resistance: 104 Megohms min.
- Test voltage: 750 Vrms



2.00 mm. HARD METRIC CONNECTORS



Ordering and part numbers.

Ordering Information:

SERIE- T- XXX- DD- PL- L- S

1 2 3 4 5 6 7

1. Connector Series

2. (T) Contact Plating

- T = 3. Class 3. Gold flash plating
- T = 4. Class 2. 12 μ Pd/Ni + 2 μ Au (Recommended)
- T = 5. Class 1. 25 μ Pd/Ni + 2 μ Au

3. (XXX) Number of circuits

- XXX. Number of circuits (Check your serie)

4. (DD) Contact arrangement

- DD. Differents options available (Check your serie)

5. (PL) Pin Length

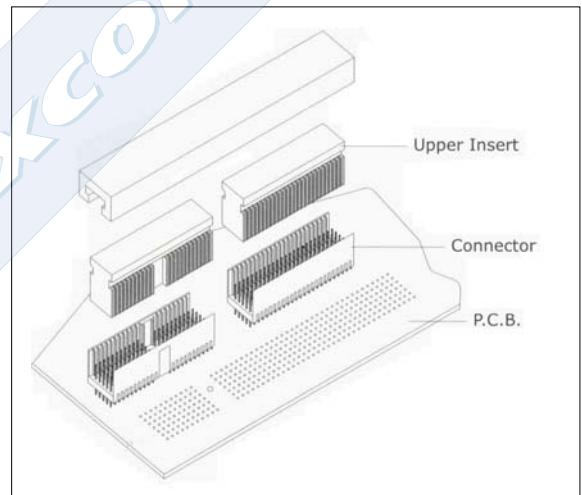
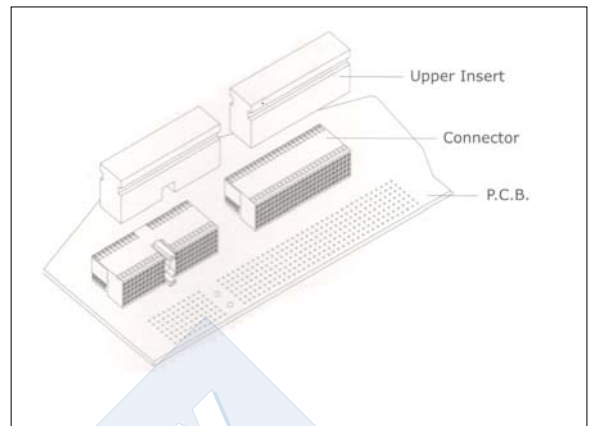
- 1A. Dim. 3.70 / 8.20 mm.
*Check Table for all measures Options
- 6C. Dim. 16.00 / 11.20 mm.

6. (L) Locating Pegs

- 0. Without pegs
- 1. With pegs

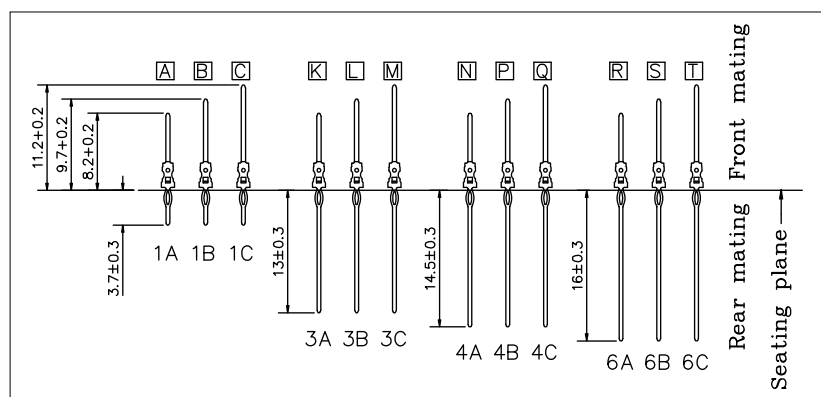
7. (S) Shielding

- 0. Not shielding
- 1. Shielding (Row Z and F)



CONNECTORS SERIES	
FEMALE	MALE
A000	A001
AB50	AB51
AB20	AB21
AB90	AB91
B250	B251
B220	B221
B190	B191
C000	C001
L000	L001
M000	M001
N000	N001

(PL) *Pin Length Options:



2.00 mm. HARD METRIC CONNECTORS



Ordering and part numbers.

Overview

Apfel 2.0mm HARD METRIC CONNECTOR MODULES comply with international IEC 917 and IEC 61076-4-101 standards. The connector system is designed and manufactured to meet the emerging trend of higher density and faster signal transmission in the electronic industries and ideal for application in the telecommunication, industrial PC.

All products are ROHS compliant

Type A Connectors	Type AB Connectors	Type B Connectors
Type C Connectors	Type L Connectors	Type M Connectors
Type N Connectors	Shrouds	Coding keys & Shielding Covers

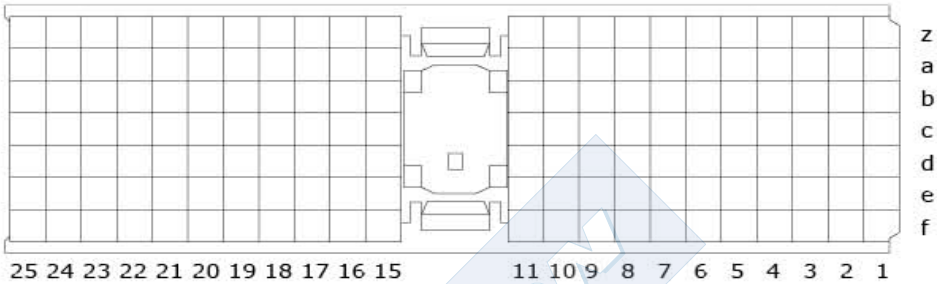
2.00 mm. HARD METRIC CONNECTORS



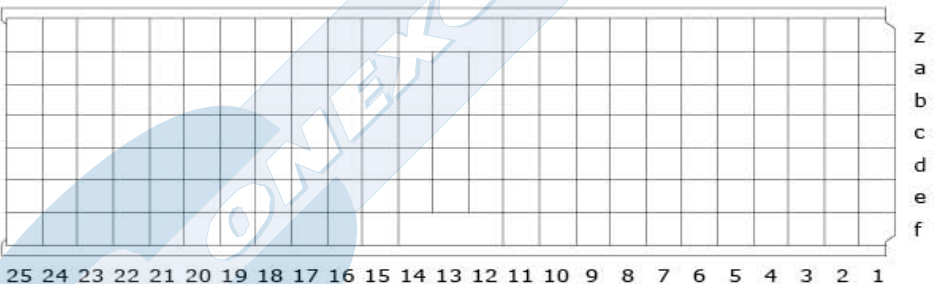
Ordering and part numbers.

Fill in diagram below with designated contact types required. Unfilled positions to be left blank.

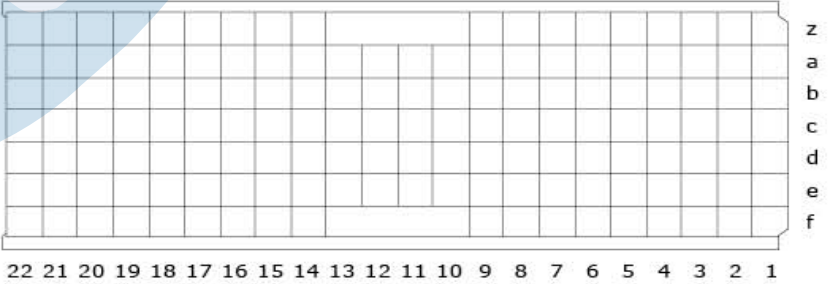
Type A Connector



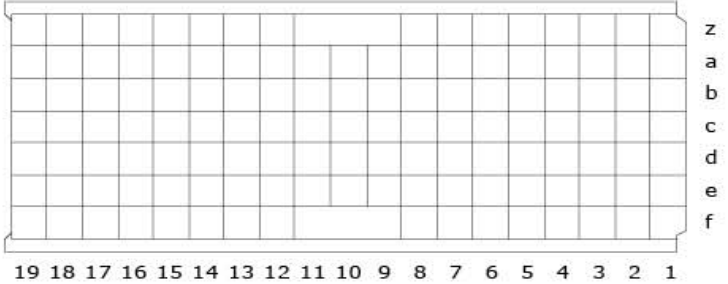
Type AB25 Connector



Type AB22 Connector



Type AB19 Connector

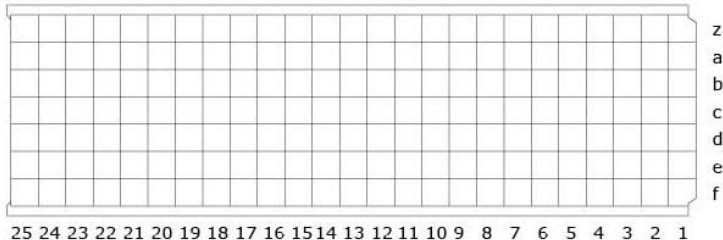


2.00 mm. HARD METRIC CONNECTORS

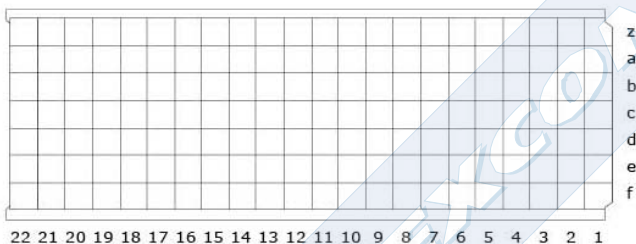


Ordering and part numbers.

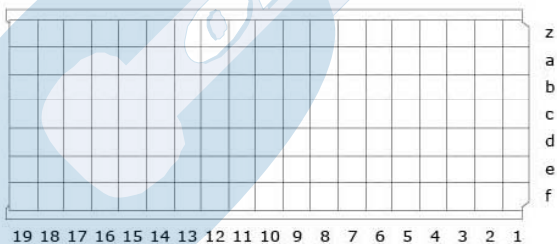
Type B25 Connector



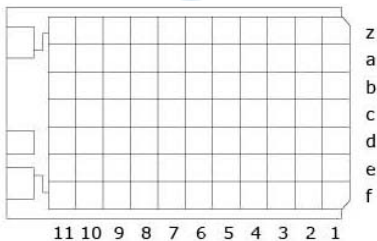
Type B22 Connector



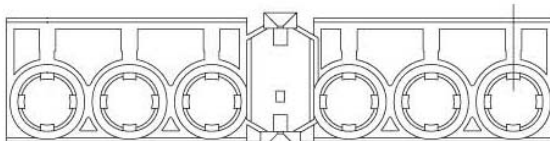
Type B19 Connector



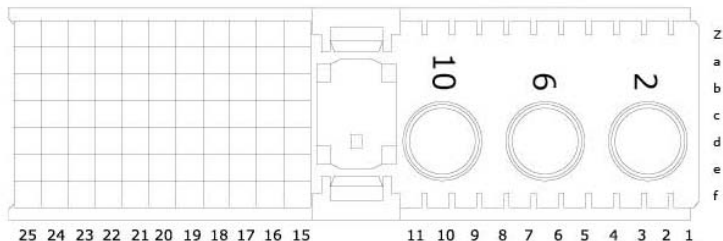
Type C Connector



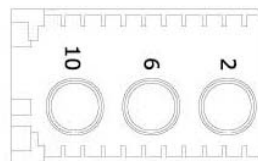
Type L Connector



Type M Connector



Type N Connector

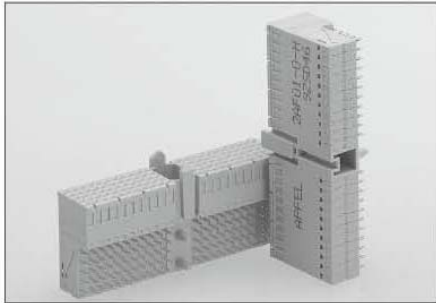


2.00 mm. HARD METRIC CONNECTORS



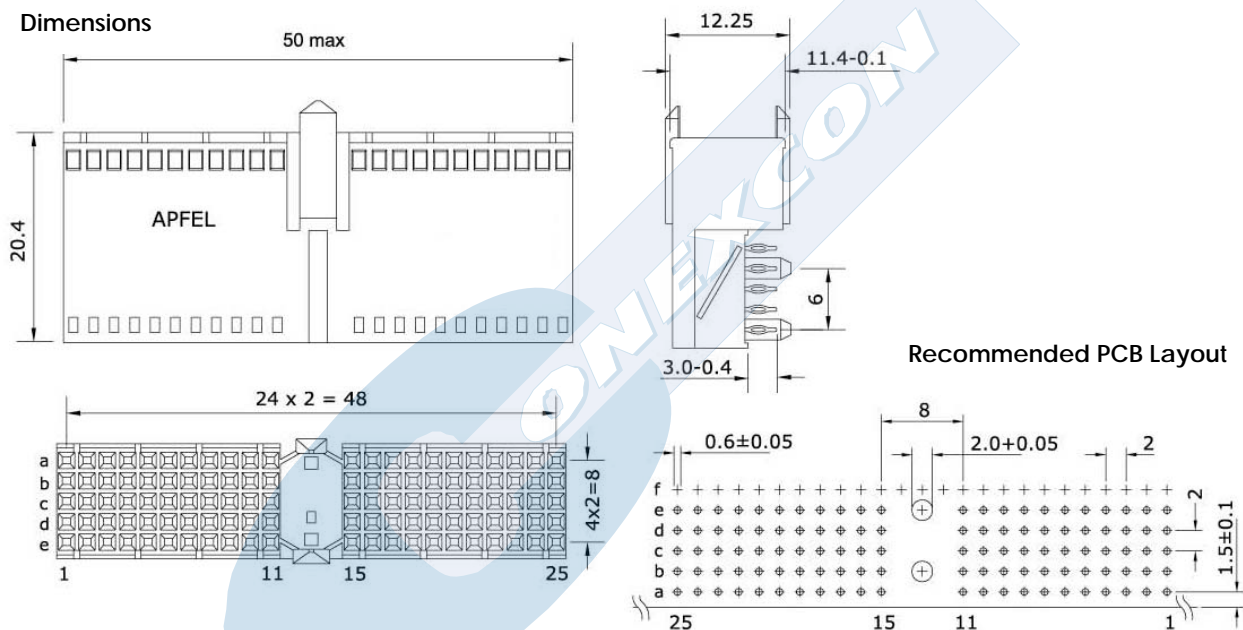
A000 SERIES. Right Angle Female Type A Connectors for Free Boards.

Product Information:



Type A right angle female connector provides 110 contacts in a 5 row X 22 position fully loaded configuration. The MPC provides alignment guide and accepts optional coding keys. Optional pre-assembled upper ground return shield is also provided or can be ordered separately. The lower ground return shield can be ordered separately. This connector is used in the J1 and J4 positions of the Compact PCI daughter board.

Dimensions



Dimensions shown are for reference purpose only. All dimensions are in millimeters unless otherwise specified.

Ordering Information:

A000- T- 110- 1- S

1 2 3 4 5

1. Connector Series

2. (T) Contact Plating

- T = 3. Class 3. Gold flash plating
- T = 4. Class 2. 12 μ Pd/Ni + 2 μ Au (Recommended)
- T = 5. Class 1. 25 μ Pd/Ni + 2 μ Au

5. (S) Shielding

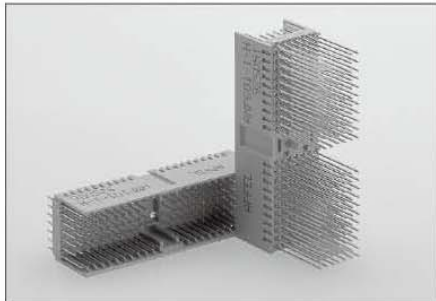
- 0. Not shielding
- 1. Shielding (Row Z and F)

2.00 mm. HARD METRIC CONNECTORS



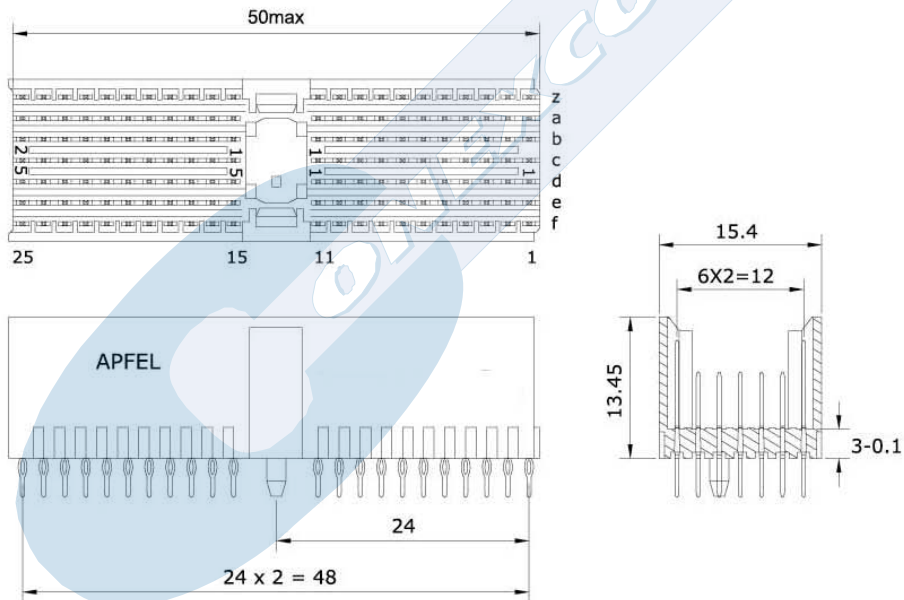
A001 SERIES. Vertical Male Type A Connectors for Fix Boards.

Product Information:

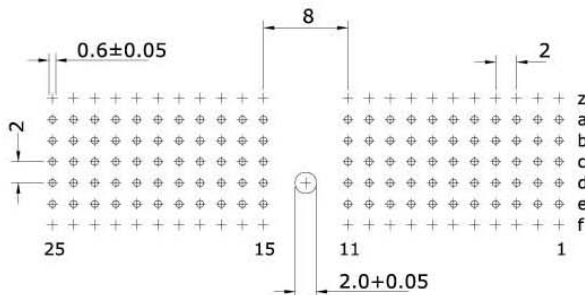


Type A Connectors provides 110 signal contacts plus optional 44 shielding contacts in 5+2 row X 22 position. The MPC(multipurpose center) provides alignment guides and accepts optional coding keys. Locating peg prevents wrong assembly and gives an accurate position.

Dimensions



Recommended PCB Layout



Dimensions shown are for reference purpose only. All dimensions are in millimeters unless otherwise specified.

2.00 mm. HARD METRIC CONNECTORS



A001 SERIES. Vertical Male Type A Connectors for Fix Boards.

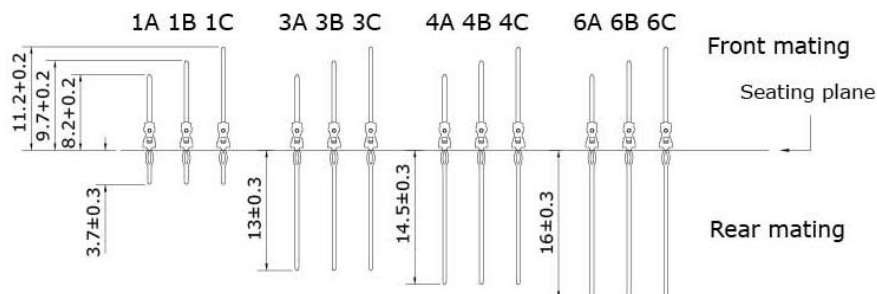
Product Information:

Assembly Drawing	Total Number	Row	Type	Part Numbers
	110	z a b c d e f	- 1A 1A 1A 1A 1A -	A001-T*110001A00
	110	z a b c d e f	- 1B 1B 1B 1B 1B -	A001-T*110001B00
	154	z a b c d e f	1C 1A 1A 1A 1A 1A 1C	A001-T*154001A01
	154	z a b c d e f	1C 1B 1B 1B 1B 1B 1C	A001-T*154001B01

(T*) Contact Plating

- T = 3. Class 3. Gold flash plating
- T = 4. Class 2. 12 μ Pd/Ni + 2 μ Au
(Recommended)
- T = 5. Class 1. 25 μ Pd/Ni + 2 μ Au

Male Contact Options



Dimensions shown are for reference purpose only. All dimensions are in millimeters unless otherwise specified.

2.00 mm. HARD METRIC CONNECTORS



A001 SERIES. Vertical Male Type A Connectors for Fix Boards.

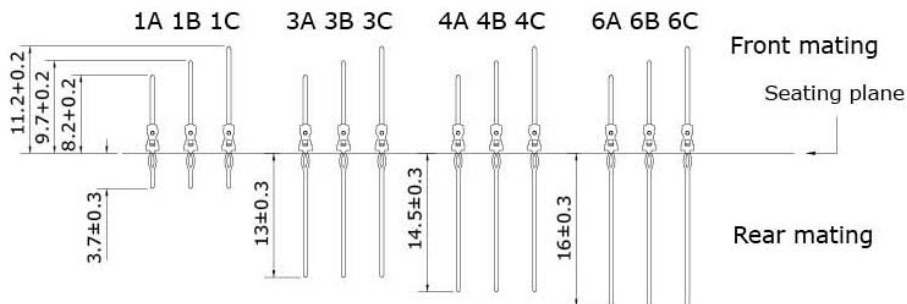
Product Information:

Assembly Drawing	Total Number	Row	Type	Part Numbers
<p>Compact PCI</p>	154	z a b c d e f	1C 1B 1B 1B 1B 1B 1C	A001-T*154011B01
<p>cPCI Hot Swap</p>	154	z a b c d e f	1C 1B * * * 1B 1C	A001-T*154021B01
<p>cPCI Telephony Spec</p>	100	z a b c d e f	- * * * * * *	A001-T*100001B01

(T) Contact Plating

- T = 3. Class 3. Gold flash plating
- T = 4. Class 2. 12 μ Pd/Ni + 2 μ Au (Recommended)
- T = 5. Class 1. 25 μ Pd/Ni + 2 μ Au

Male Contact Options



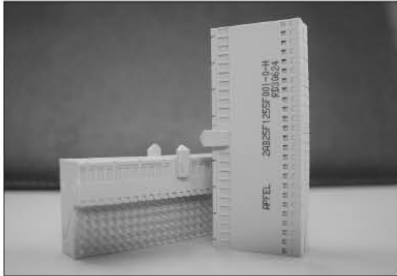
Dimensions shown are for reference purpose only. All dimensions are in millimeters unless otherwise specified.

2.00 mm. HARD METRIC CONNECTORS



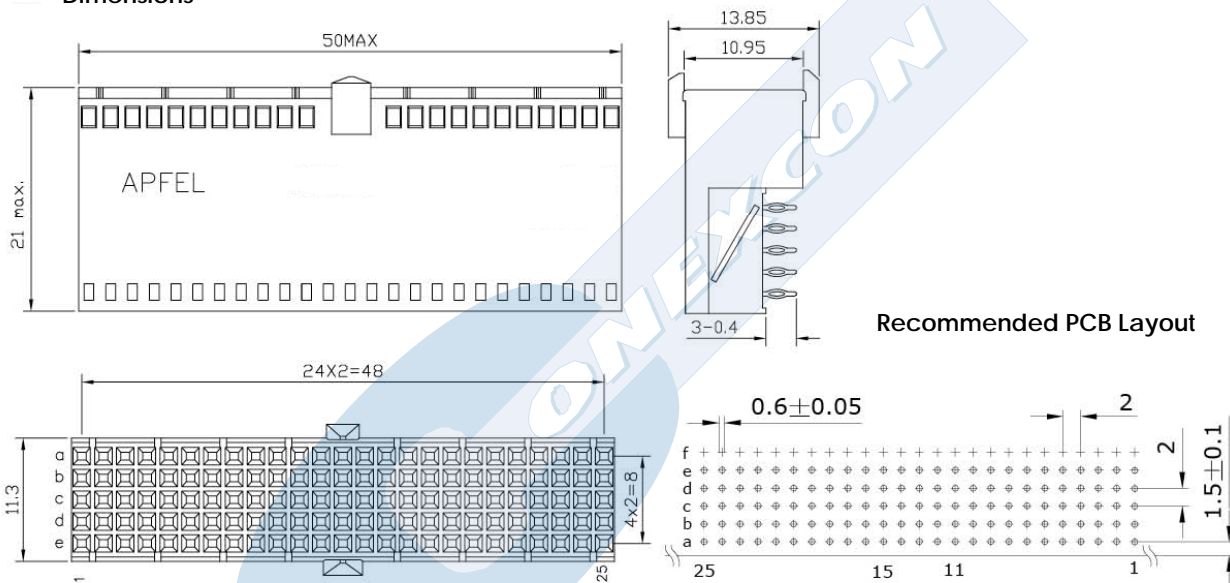
AB50 SERIES. Right Angle Female Type AB25 Connectors for Free Boards.

Product Information:



Right angle female type AB25 connector provides 125 signal contacts in a 5 row X 25 position fully loaded configuration. Optional pre-assembled upper ground return shield is also provided or can be ordered separately. The lower ground return shield can be ordered separately.

Dimensions



Dimensions shown are for reference purpose only. All dimensions are in millimeters unless otherwise specified.

Ordering Information:

AB50- T- 125- 0- S

1 2 3 4 5

1. Connector Series

2. (T) Contact Plating

- T = 3. Class 3. Gold flash plating
- T = 4. Class 2. 12 μ Pd/Ni + 2 μ Au (Recommended)
- T = 5. Class 1. 25 μ Pd/Ni + 2 μ Au

5. (S) Shielding

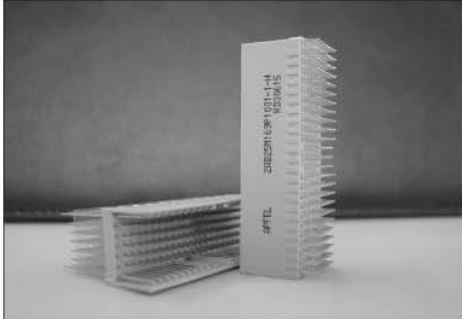
- 0. Not shielding
- 1. Shielding (Row Z and F)

2.00 mm. HARD METRIC CONNECTORS



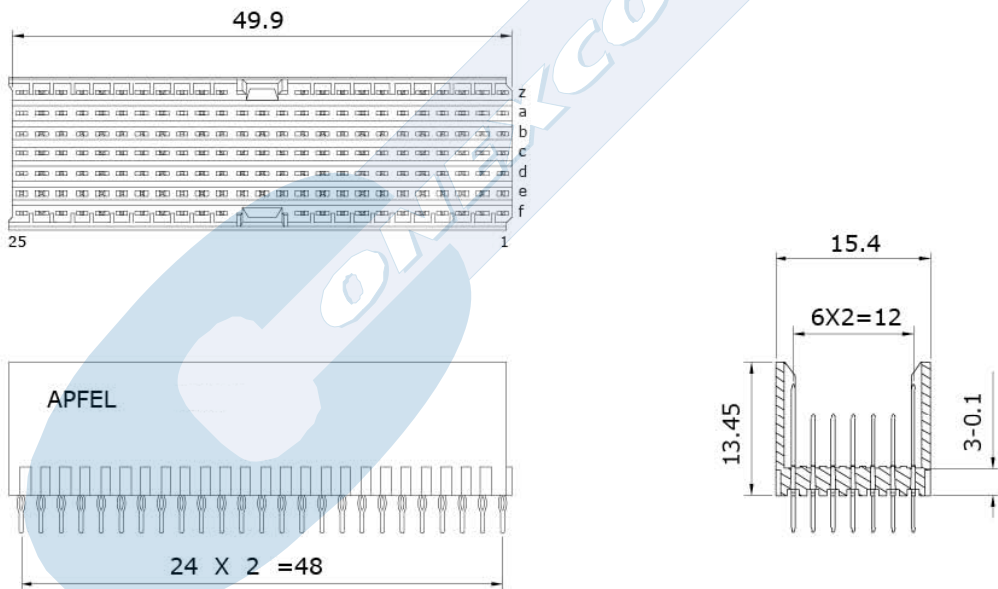
AB51 SERIES. Vertical Male Type AB25 Connectors for Fix Boards.

Product Information:

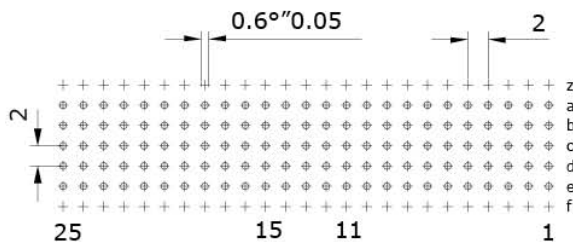


Type AB25 vertical male connector provides 125 signal contacts and optional 44 shielding contacts respectively in 5 + 2 row X 25 position configuration. All are end to end stackable without change in contact pitch.

Dimensions



Recommended PCB Layout



Dimensions shown are for reference purpose only. All dimensions are in millimeters unless otherwise specified.

2.00 mm. HARD METRIC CONNECTORS



AB51 SERIES. Vertical Male Type AB25 Connectors for Fix Boards.

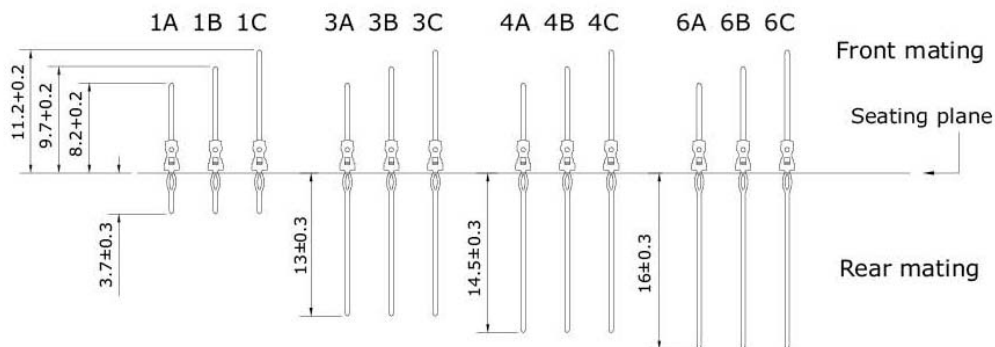
Product Information:

Assembly Drawing	Total Number	Row	Type	Part Numbers
	125	z a b c d e f	— 1A 1A 1A 1A 1A —	AB51-T*125001A00
	125	z a b c d e f	— 1B 1B 1B 1B 1B —	AB51-T*125001B00
	169	z a b c d e f	1C 1A 1A 1A 1A 1A 1C	AB51-T*169001A01
	169	z a b c d e f	1C 1B 1B 1B 1B 1B 1C	AB51-T*169001B01

(T*) Contact Plating

- T = 3. Class 3. Gold flash plating
- T = 4. Class 2. 12 μ Pd/Ni + 2 μ Au (Recommended)
- T = 5. Class 1. 25 μ Pd/Ni + 2 μ Au

Male Contact Options



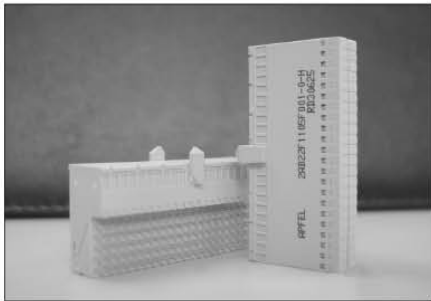
Dimensions shown are for reference purpose only. All dimensions are in millimeters unless otherwise specified.

2.00 mm. HARD METRIC CONNECTORS



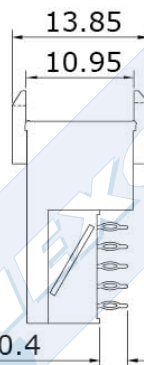
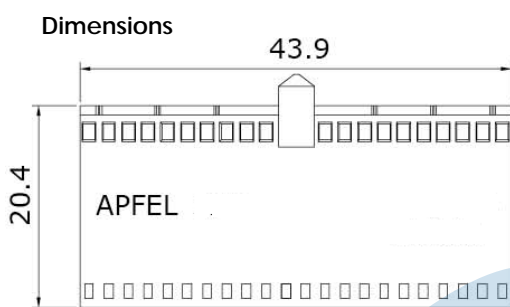
AB20 SERIES. Right Angle Female Type AB22 Connectors for Free Boards.

Product Information:

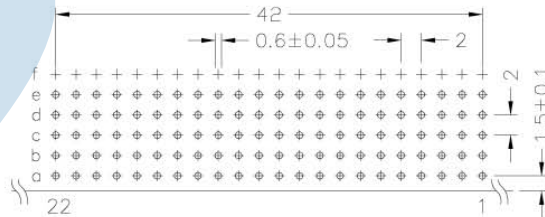
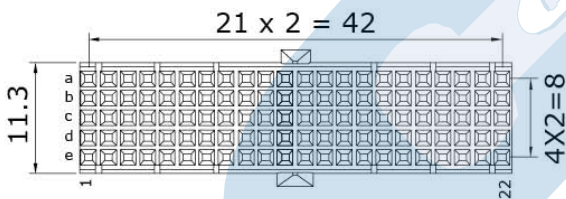


Right angle female type AB22 connector provides 110 signal contacts in a 5 row X 22 position fully loaded configuration. Optional pre-assembled upper ground return shield is also provided or can be ordered separately. The lower ground return shield can be ordered separately.

Dimensions



Recommended PCB Layout



Dimensions shown are for reference purpose only. All dimensions are in millimeters unless otherwise specified.

Ordering Information:

AB20- T- 110- 0- S

1 2 3 4 5

1. Connector Series

2. (T) Contact Plating

- T = 3. Class 3. Gold flash plating
- T = 4. Class 2. 12 μ Pd/Ni + 2 μ Au (Recommended)
- T = 5. Class 1. 25 μ Pd/Ni + 2 μ Au

5. (S) Shielding

- 0. Not shielding
- 1. Shielding (Row Z and F)

2.00 mm. HARD METRIC CONNECTORS



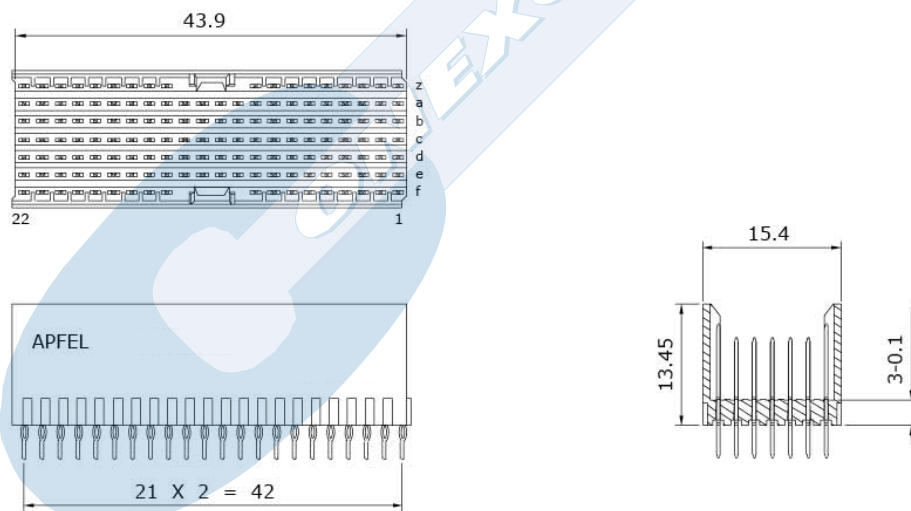
AB21SERIES. Vertical Male Type AB22 Connectors for Fix Boards.

Product Information:

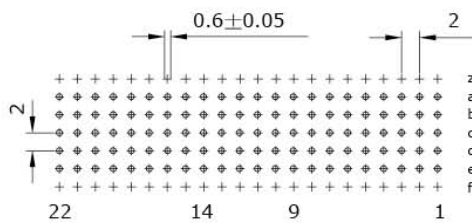


Type AB22 vertical male connector provides 110 signal contacts and optional 36 shielding contacts respectively in 5 + 2 row X 22 position configuration. All are end to end stackable without change in contact pitch.

Dimensions



Recommended PCB Layout



Dimensions shown are for reference purpose only. All dimensions are in millimeters unless otherwise specified.

2.00 mm. HARD METRIC CONNECTORS



AB21SERIES. Vertical Male Type AB19 Connectors for Fix Boards.

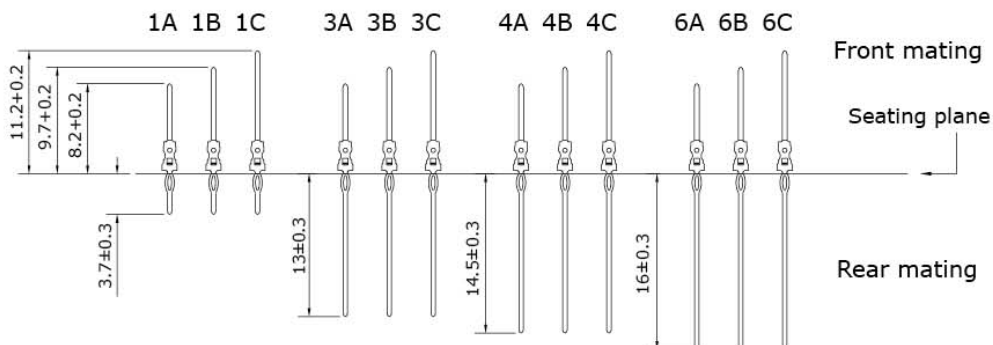
Product Information:

Assembly Drawing	Total Number	Row	Type	Part Numbers
	95	z a b c d e f	— 1A 1A 1A 1A 1A —	AB21-T*095001A00
	95	z a b c d e f	— 1B 1B 1B 1B 1B —	AB21-T*095001B00
	127	z a b c d e f	1C 1A 1A 1A 1A 1A 1C	AB21-T*127001A01
	127	z a b c d e f	1C 1B 1B 1B 1B 1B 1C	AB21-T*127001B01

(T*) Contact Plating

- T = 3. Class 3. Gold flash plating
- T = 4. Class 2. 12 μ Pd/Ni + 2 μ Au (Recommended)
- T = 5. Class 1. 25 μ Pd/Ni + 2 μ Au

Male Contact Options



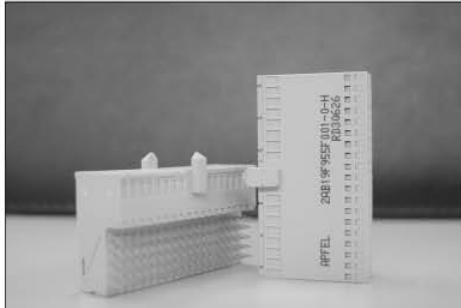
Dimensions shown are for reference purpose only. All dimensions are in millimeters unless otherwise specified.

2.00 mm. HARD METRIC CONNECTORS



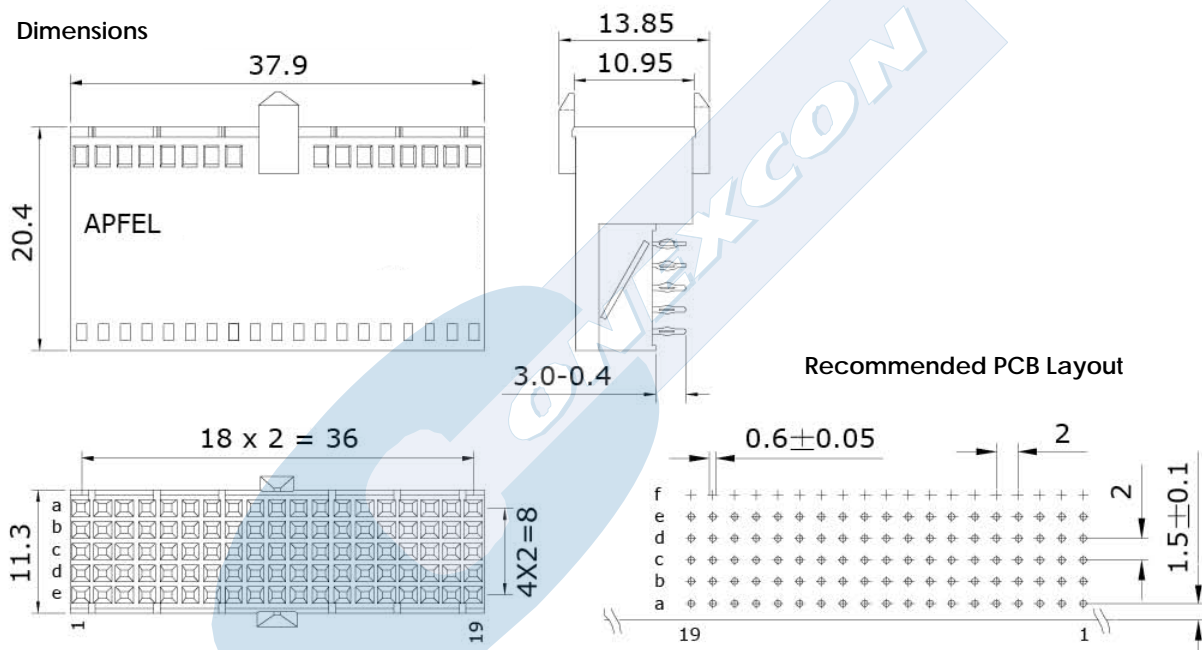
AB90 SERIES. Right Angle Female Type AB19 Connectors for Free Boards.

Product Information:



Right angle female type AB19 connector provides 95 signal contacts in a 5 row X 19 position fully loaded configuration. Optional pre-assembled upper ground return shield is also provided or can be ordered separately. The lower ground return shield can be ordered separately.

Dimensions



Dimensions shown are for reference purpose only. All dimensions are in millimeters unless otherwise specified.

Ordering Information:

AB90- T- 095- 0- S
 1 2 3 4 5

1. Connector Series

2. (T) Contact Plating

- T = 3. Class 3. Gold flash plating
- T = 4. Class 2. 12 μ Pd/Ni + 2 μ Au (Recommended)
- T = 5. Class 1. 25 μ Pd/Ni + 2 μ Au

5. (S) Shielding

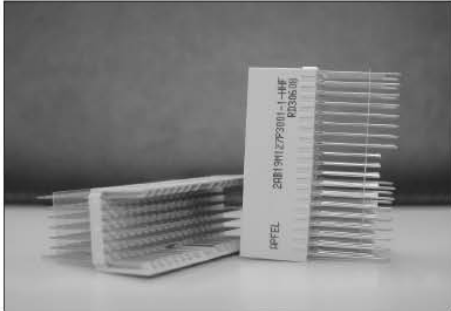
- 0. Not shielding
- 1. Shielding (Row Z and F)

2.00 mm. HARD METRIC CONNECTORS



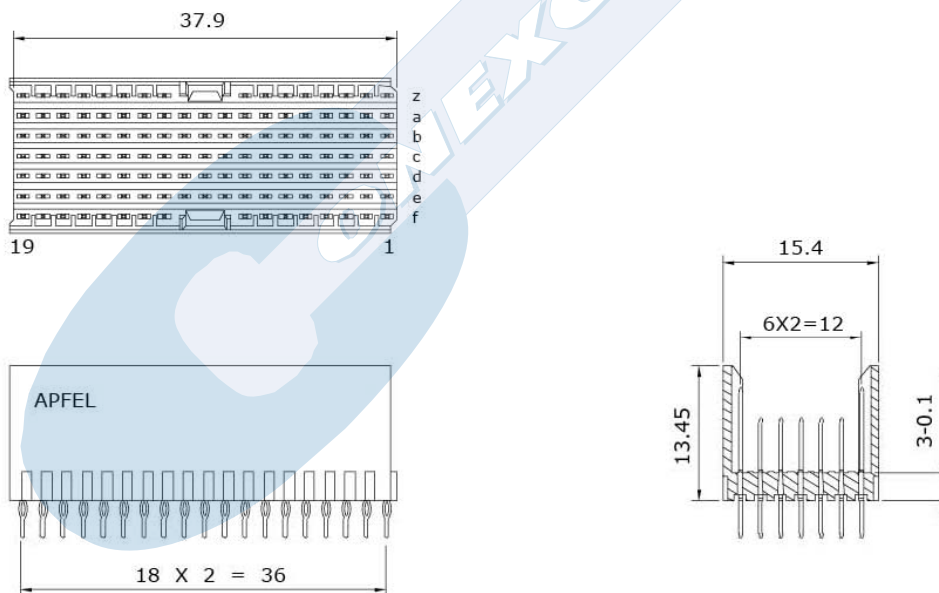
AB91SERIES. Vertical Male Type AB19 Connectors for Fix Boards.

Product Information:

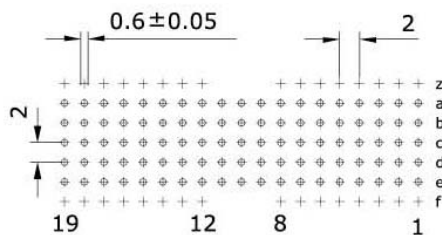


Type AB19 vertical male connector provides 95 signal contacts and optional 32 shielding contacts respectively in 5 + 2 row X 19 position configuration. All are end to end stackable without change in contact pitch.

Dimensions



Recommended PCB Layout



Dimensions shown are for reference purpose only. All dimensions are in millimeters unless otherwise specified.

2.00 mm. HARD METRIC CONNECTORS



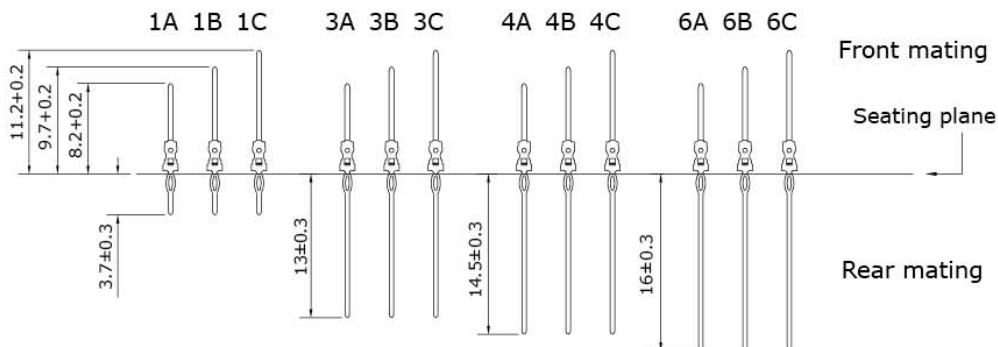
AB91SERIES. Vertical Male Type AB19 Connectors for Fix Boards.

Product Information:

Assembly Drawing	Total Number	Row	Type	Part Numbers
	95	z a b c d e f	— 1A 1A 1A 1A 1A —	AB91-T*095001A00
	95	z a b c d e f	— 1B 1B 1B 1B 1B —	AB91-T*095001B00
	127	z a b c d e f	1C 1A 1A 1A 1A 1A 1C	AB91-T*127001A01
	127	z a b c d e f	1C 1B 1B 1B 1B 1B 1C	AB21-T*127001B01

- (T*) Contact Plating
- T = 3. Class 3. Gold flash plating
 - T = 4. Class 2. 12 μ Pd/Ni + 2 μ Au (Recommended)
 - T = 5. Class 1. 25 μ Pd/Ni + 2 μ Au

Male Contact Options



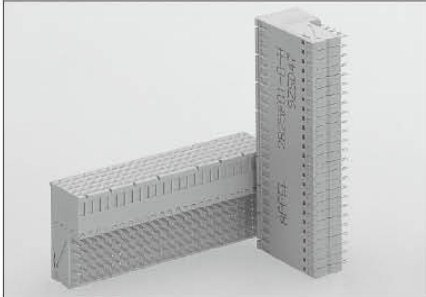
Dimensions shown are for reference purpose only. All dimensions are in millimeters unless otherwise specified.

2.00 mm. HARD METRIC CONNECTORS



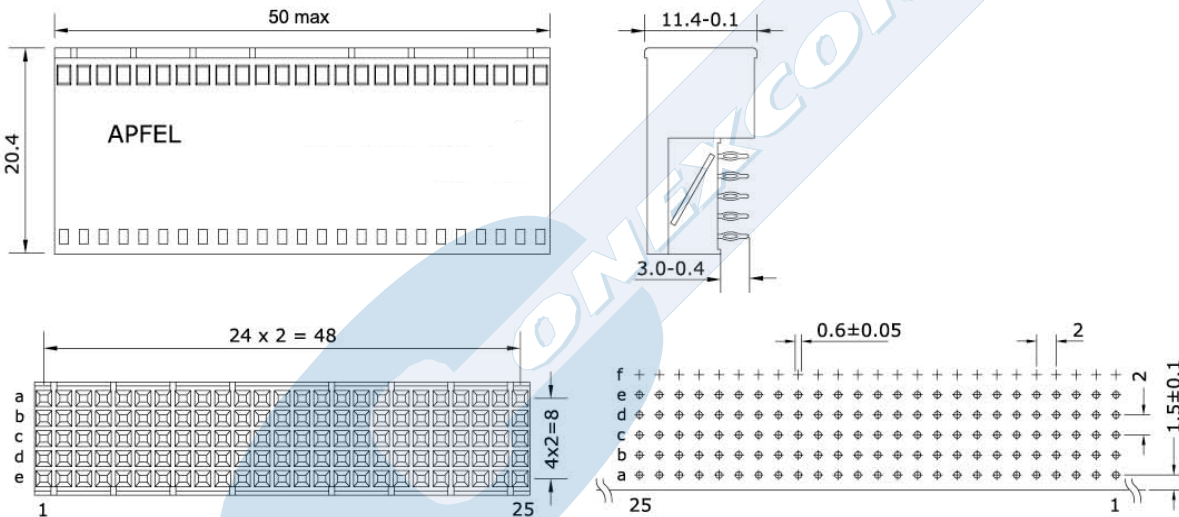
B250 SERIES. Right Angle Female Type B25 Connectors for Free Boards .

Product Information:



Right angle female type B25 connector provides 125 signal contacts in a 5 row X 25 position fully loaded configuration. Optional pre-assembled upper ground return shield is also provided or can be ordered separately. The lower ground return shield can be ordered separately.

Dimensions



Dimensions shown are for reference purpose only. All dimensions are in millimeters unless otherwise specified.

Ordering Information:

B250- T- 125- 0- S

1 2 3 4 5

1. Connector Series

2. (T) Contact Plating

- T = 3. Class 3. Gold flash plating
- T = 4. Class 2. 12 μ Pd/Ni + 2 μ Au (Recommended)
- T = 5. Class 1. 25 μ Pd/Ni + 2 μ Au

5. (S) Shielding

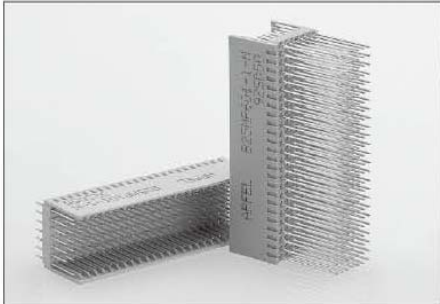
- 0. Not shielding
- 1. Shielding (Row Z and F)

2.00 mm. HARD METRIC CONNECTORS



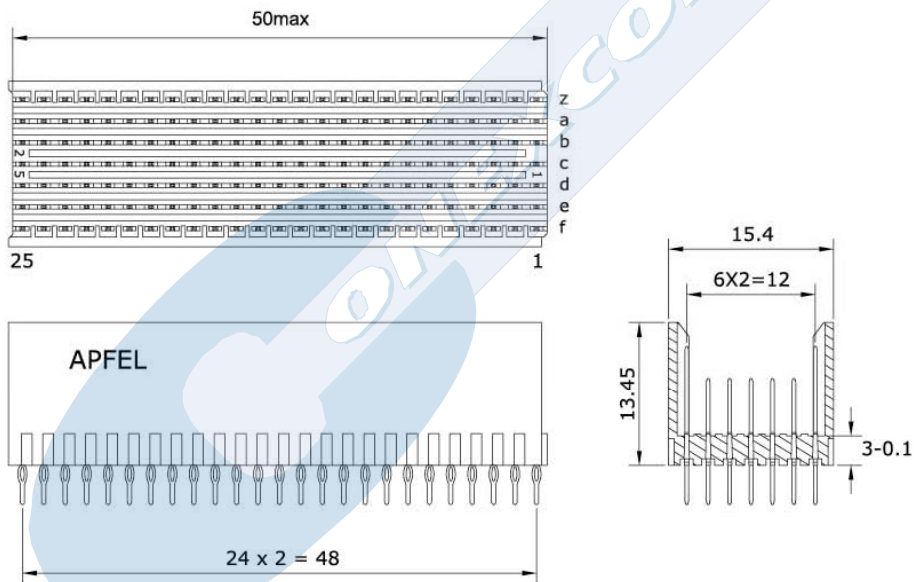
B251 SERIES. Vertical Male Type B25 Connectors for Fix Boards.

Product Information:

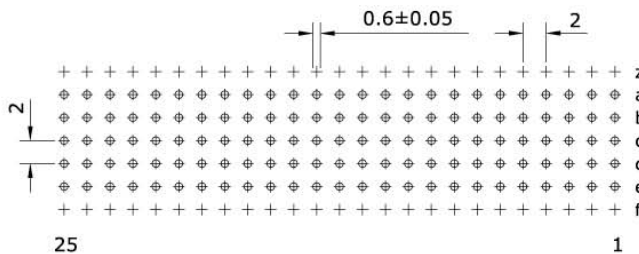


Type B25 vertical male connector provides 125 signal contacts and optional 50 shielding contacts respectively in 5 + 2 row X 25 position configuration. All are end to end stackable without change in contact pitch.

Dimensions



Recommended PCB Layout



Dimensions shown are for reference purpose only. All dimensions are in millimeters unless otherwise specified.

2.00 mm. HARD METRIC CONNECTORS



B251 SERIES. Vertical Male Type B25 Connectors for Fix Boards.

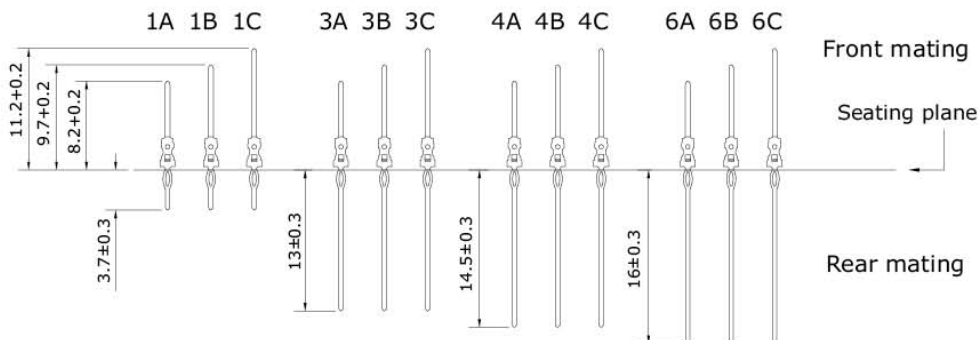
Product Information:

Assembly Drawing	Total Number	Row	Type	Part Numbers
	125	z a b c d e f	- 1A 1A 1A 1A 1A -	B251-T*125001A00
	125	z a b c d e f	- 1B 1B 1B 1B 1B -	B251-T*125001B00
	175	z a b c d e f	1C 1A 1A 1A 1A 1A 1C	B251-T*175001A01
	175	z a b c d e f	1C 1B 1B 1B 1B 1B 1C	B251-T*175001B01

(T*) Contact Plating

- T = 3. Class 3. Gold flash plating
- T = 4. Class 2. 12 μ Pd/Ni + 2 μ Au (Recommended)
- T = 5. Class 1. 25 μ Pd/Ni + 2 μ Au

Male Contact Options



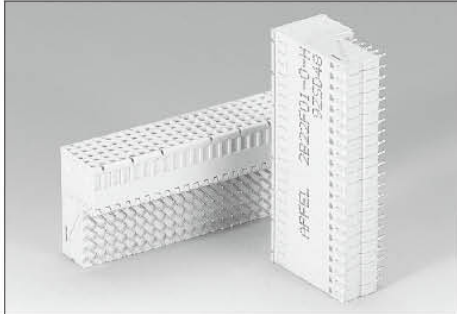
Dimensions shown are for reference purpose only. All dimensions are in millimeters unless otherwise specified.

2.00 mm. HARD METRIC CONNECTORS

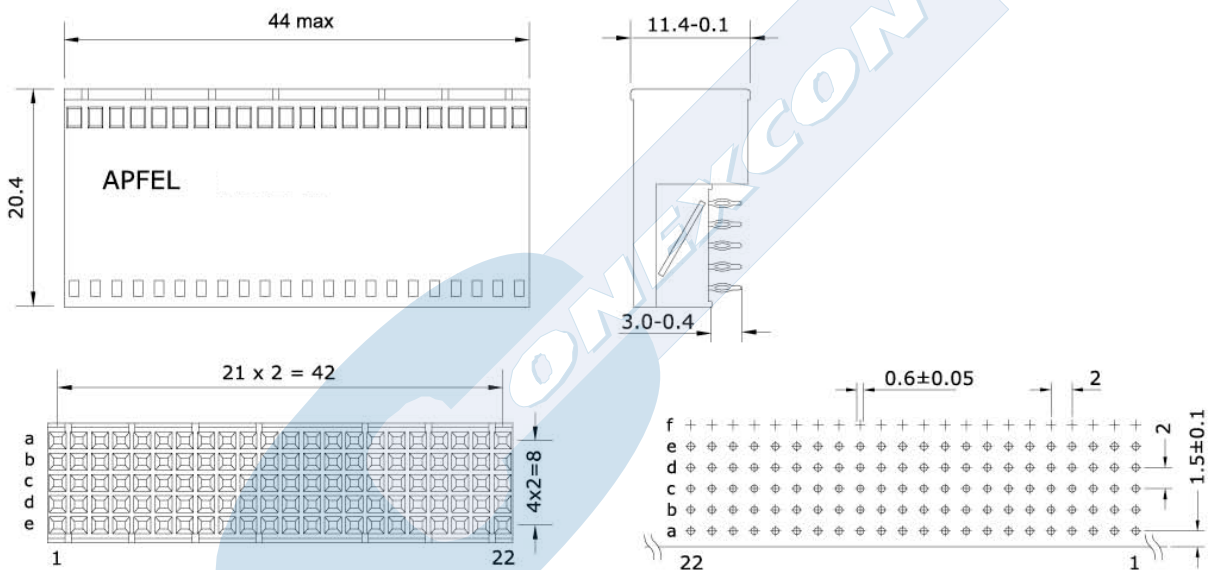


B220 SERIES. Right Angle Female Type B22 Connectors for Free Boards.

Product Information:



Right angle female type B22 connector provides 110 signal contacts in a 5 row X 22 position fully loaded configuration. Optional pre-assembled upper ground return shield is also provided or can be ordered separately. The lower ground return shield can be ordered separately. The 22 position one is used in the J2 and J5 location of the Compact PCI daughter card.



Dimensions shown are for reference purpose only. All dimensions are in millimeters unless otherwise specified.

Ordering Information:

B220- T- 110- 0- S
 1 2 3 4 5

1. Connector Series

2. (T) Contact Plating

- T = 3. Class 3. Gold flash plating
- T = 4. Class 2. 12 μ Pd/Ni + 2 μ Au (Recommended)
- T = 5. Class 1. 25 μ Pd/Ni + 2 μ Au

5. (S) Shielding

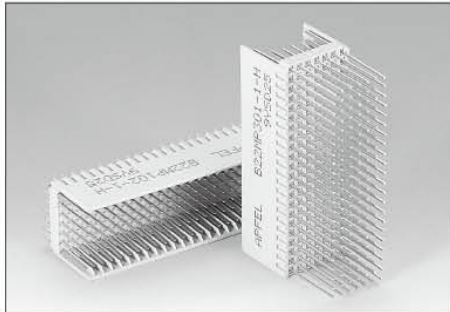
- 0. Not shielding
- 1. Shielding (Row Z and F)

2.00 mm. HARD METRIC CONNECTORS



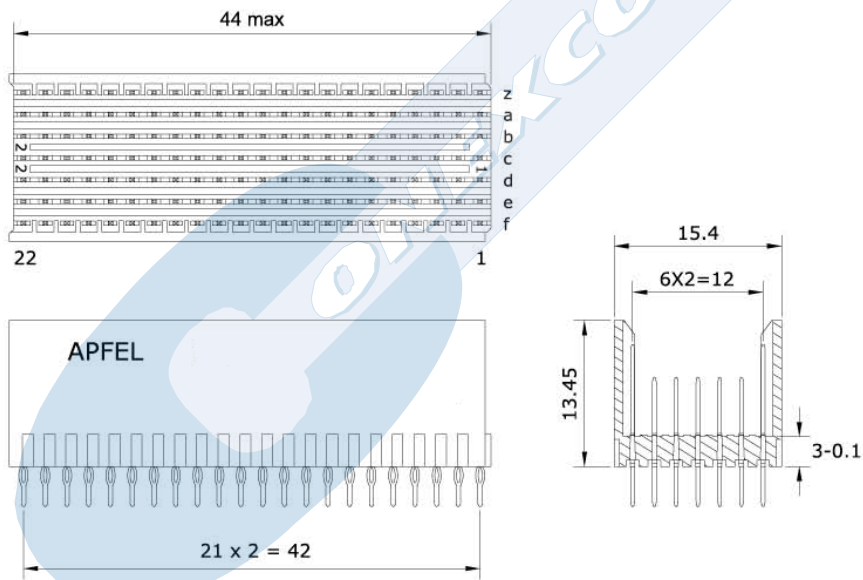
B221 SERIES. Vertical Male Type B22 Connectors for Fix Boards.

Product Information:

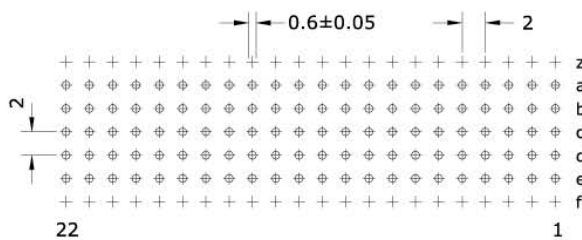


Type B22 vertical male connector provides 110 signal contacts and optional 44 shielding contacts respectively in 5 + 2 row X 22 position configuration. All are end to end stackable without change in contact pitch.

Dimensions



Recommended PCB Layout



Dimensions shown are for reference purpose only. All dimensions are in millimeters unless otherwise specified.

2.00 mm. HARD METRIC CONNECTORS



B221 SERIES. Vertical Male Type B22 Connectors for Fix Boards.

Product Information:

Assembly Drawing	Total Number	Row	Type	Part Numbers
<p>z a b c d e f</p> <p>22 21 20 19 18 17 16 15 14 13 12 11 10 9 8 7 6 5 4 3 2 1</p>	110	z a b c d e f	- 1A 1A 1A 1A 1A -	B221-T*110001A00
<p>z a b c d e f</p> <p>22 21 20 19 18 17 16 15 14 13 12 11 10 9 8 7 6 5 4 3 2 1</p>	110	z a b c d e f	- 1B 1B 1B 1B 1B -	B221-T*110001B00
<p>z a b c d e f</p> <p>22 21 20 19 18 17 16 15 14 13 12 11 10 9 8 7 6 5 4 3 2 1</p>	154	z a b c d e f	1C 1A 1A 1A 1A 1A 1C	B221-T*154001A01
<p>z a b c d e f</p> <p>22 21 20 19 18 17 16 15 14 13 12 11 10 9 8 7 6 5 4 3 2 1</p>	154	z a b c d e f	1C 1B 1B 1B 1B 1B 1C	B221-T*154001B01
<p>cPCI Telephony Spec</p> <p>z a b c d e f</p> <p>22 21 20 19 18 17 16 15 14 13 12 11 10 9 8 7 6 5 4 3 2 1</p>	154	z a b c d e f	1C 1A/1B 1A/1B 1A/1B 1A/1B 1A/1B 1C	B221-T*154011A01

(T*) Contact Plating

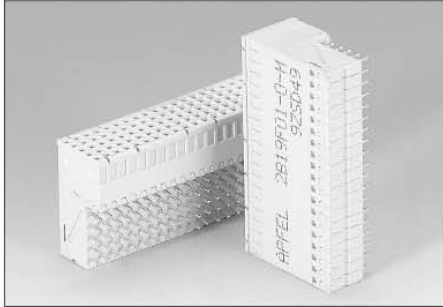
- T = 3. Class 3. Gold flash plating
- T = 4. Class 2. 12 μ Pd/Ni + 2 μ Au (Recommended)
- T = 5. Class 1. 25 μ Pd/Ni + 2 μ Au

2.00 mm. HARD METRIC CONNECTORS



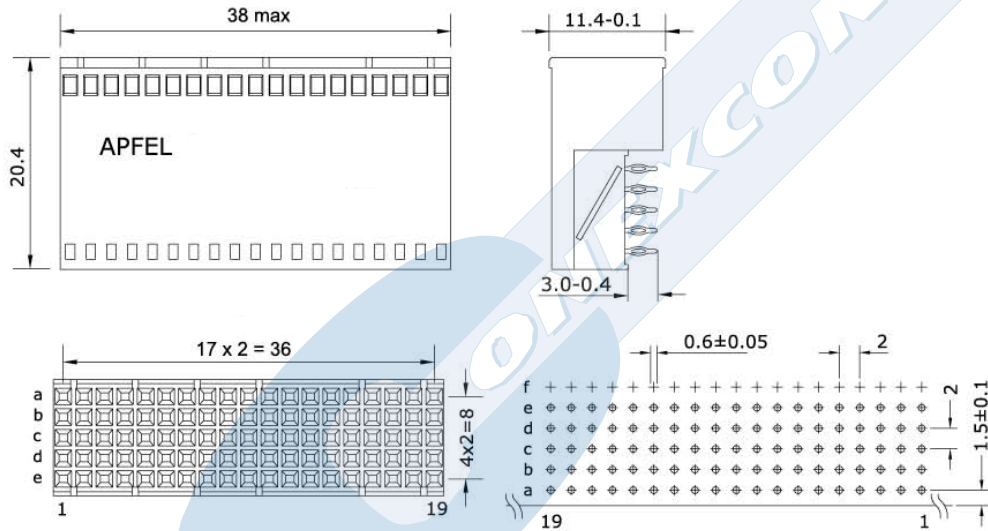
B190 SERIES. Right Angle Female Type B19 Connectors for Free Boards .

Product Information:



Right angle female type B19 connector provides 95 signal contacts in a 5 row X 19 position fully loaded configuration. Optional pre-assembled upper ground return shield is also provided or can be ordered separately. The lower ground return shield can be ordered separately. The 19 position one is used in the J3 location of the compact PCI daughter card.

Dimensions



Dimensions shown are for reference purpose only. All dimensions are in millimeters unless otherwise specified.

Ordering Information:

B190- T- 095- 0- S

1 2 3 4 5

1. Connector Series

2. (T) Contact Plating

- T = 3. Class 3. Gold flash plating
- T = 4. Class 2. 12 μ Pd/Ni + 2 μ Au (Recommended)
- T = 5. Class 1. 25 μ Pd/Ni + 2 μ Au

5. (S) Shielding

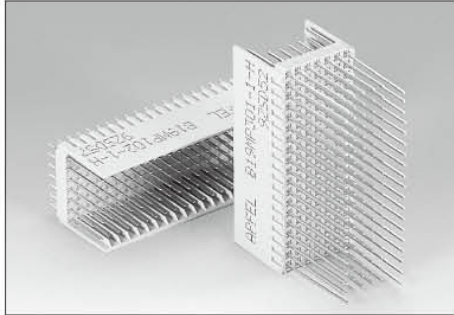
- 0. Not shielding
- 1. Shielding (Row Z and F)

2.00 mm. HARD METRIC CONNECTORS



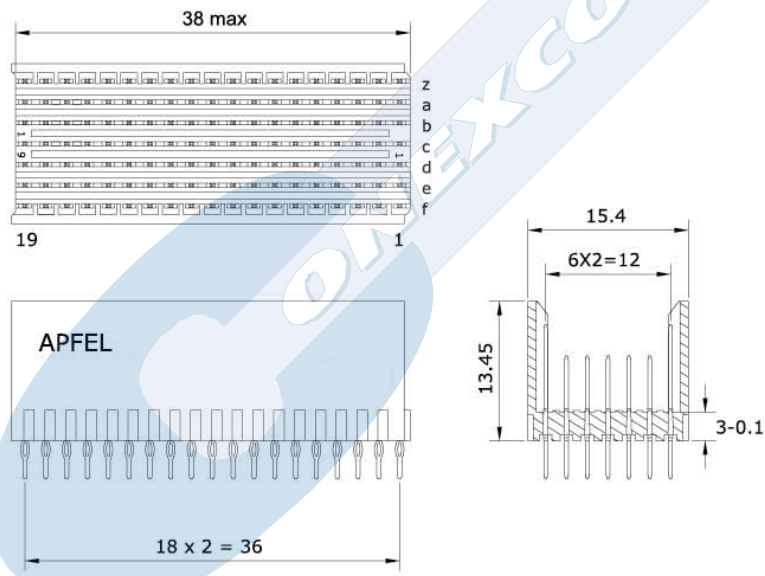
B191 SERIES. Vertical Male Type B19 Connectors for Fix Boards.

Product Information:

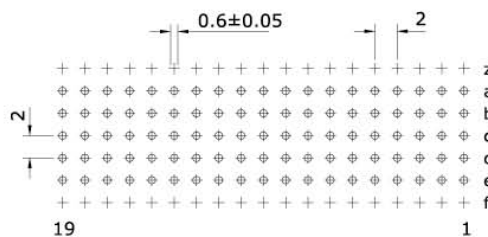


Type B19 vertical male connector provides 95 signal contacts and optional 38 shielding contacts respectively in 5 + 2 row X 19 position configuration. All are end to end stackable without change in contact pitch.

Dimensions



Recommended PCB Layout



Dimensions shown are for reference purpose only. All dimensions are in millimeters unless otherwise specified.

2.00 mm. HARD METRIC CONNECTORS



B191 SERIES. Vertical Male Type B22 Connectors for Fix Boards.

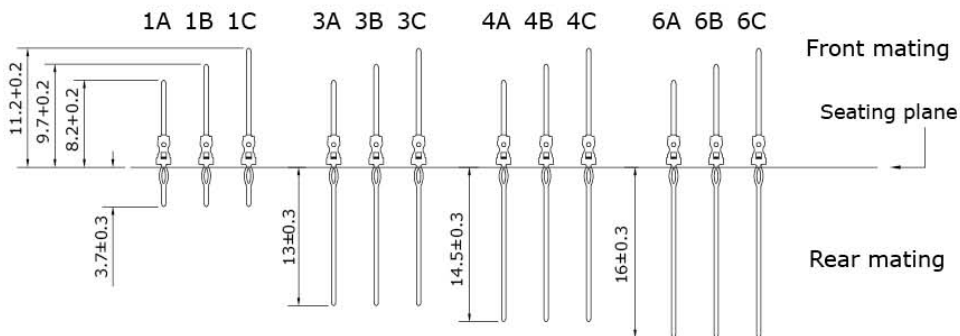
Product Information:

Assembly Drawing	Total Number	Row	Type	Part Numbers
<p>cPCI Telephony Spec</p>	95	z a b c d e f	- 1A 1A 1A 1A 1A -	B191-T*095001A00
	95	z a b c d e f	- 1B 1B 1B 1B 1B -	B191-T*095001B00
	133	z a b c d e f	1C 1A 1A 1A 1A 1A 1C	B191-T*133001A01
	133	z a b c d e f	1C 1B 1B 1B 1B 1B 1C	B191-T*133001B01

(T*) Contact Plating

- T = 3. Class 3. Gold flash plating
- T = 4. Class 2. 12 μ Pd/Ni + 2 μ Au (Recommended)
- T = 5. Class 1. 25 μ Pd/Ni + 2 μ Au

Male Contact Options



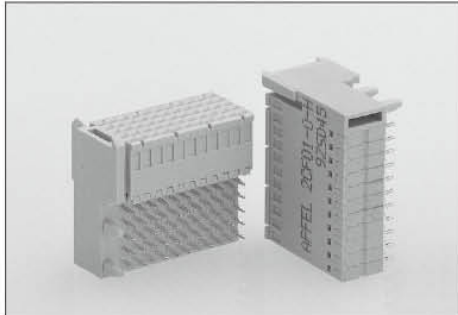
Dimensions shown are for reference purpose only. All dimensions are in millimeters unless otherwise specified.

2.00 mm. HARD METRIC CONNECTORS



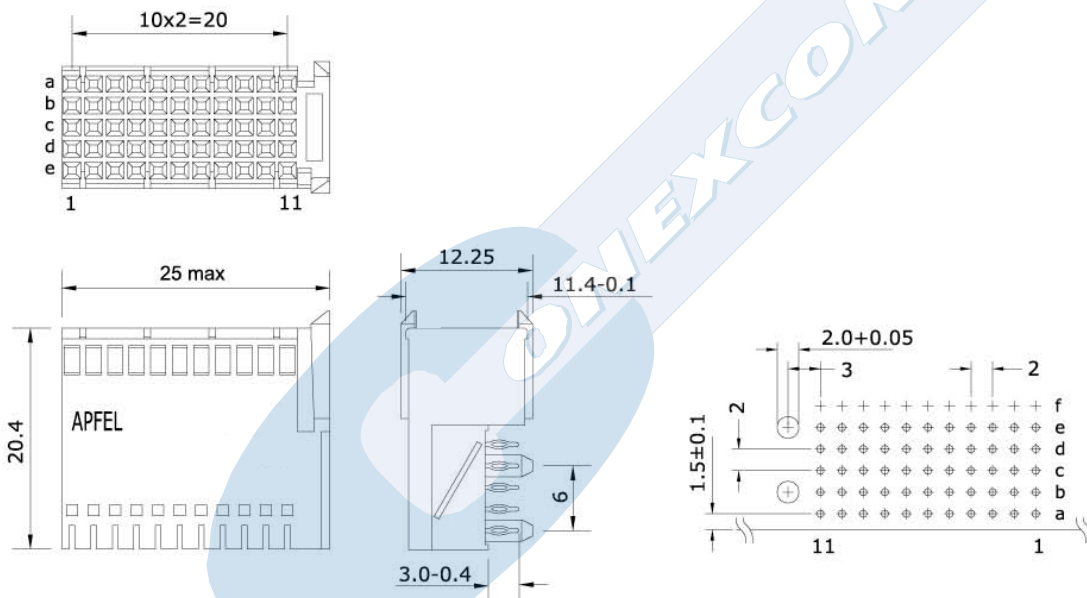
C000 SERIES. Right Angle Female Type C Connectors for Free Boards .

Product Information:



Right angle female half-size type C connector is polarized and provides 55 signal contacts in a 5 row X 11 position fully loaded configuration. Optional pre-assembled upper ground return shield is also provided or can be ordered separately. The lower ground return shield can be ordered separately.

Dimensions



Dimensions shown are for reference purpose only. All dimensions are in millimeters unless otherwise specified.

Ordering Information:

C000- T- 055- 1- S
 1 2 3 4 5

1. Connector Series

2. (T) Contact Plating

- T = 3. Class 3. Gold flash plating
- T = 4. Class 2. 12 μ Pd/Ni + 2 μ Au (Recommended)
- T = 5. Class 1. 25 μ Pd/Ni + 2 μ Au

5. (S) Shielding

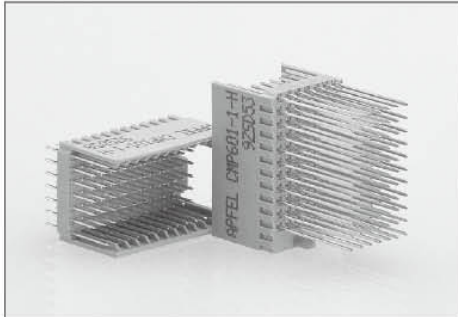
- 0. Not shielding
- 1. Shielding (Row Z and F)

2.00 mm. HARD METRIC CONNECTORS



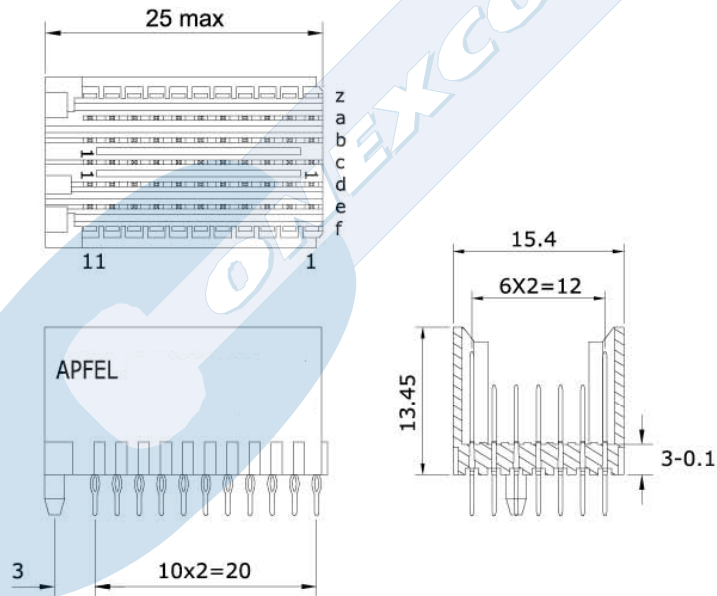
C001 SERIES. Vertical Male Type C Connectors for Fix Boards.

Product Information:

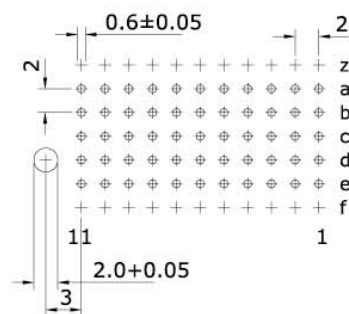


Type C vertical male connector provides 55 signal contacts and optional 22 shielding contacts respectively in 5 + 2 row X 11 position. This half-size connector is polarized and provides alignment of the mating connectors.

Dimensions



Recommended PCB Layout



Dimensions shown are for reference purpose only. All dimensions are in millimeters unless otherwise specified.

2.00 mm. HARD METRIC CONNECTORS



C001 SERIES. Vertical Male Type C Connectors for Fix Boards.

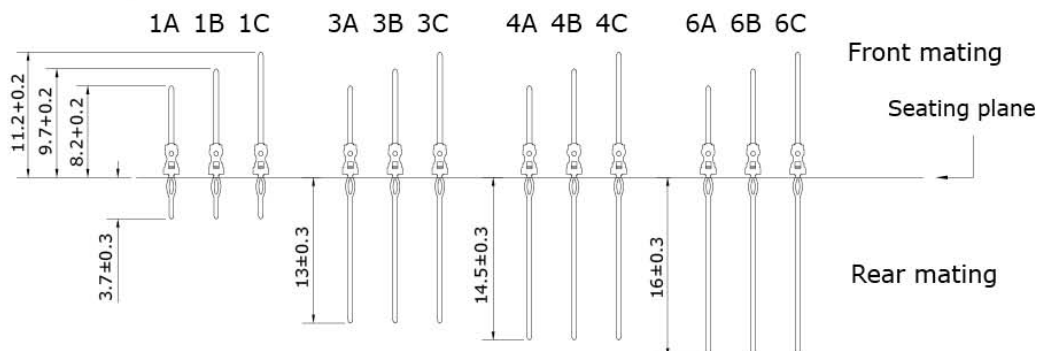
Product Information:

Assembly Drawing	Total Number	Row	Type	Part Numbers
	55	z a b c d e f	- 1A 1A 1A 1A 1A -	C001-T*055001A00
	55	z a b c d e f	- 1B 1B 1B 1B 1B -	C001-T*055001B00
	77	z a b c d e f	1C 1A 1A 1A 1A 1A 1C	C001-T*077001A01
	77	z a b c d e f	1C 1B 1B 1B 1B 1B 1C	C001-T*077001B01

(T*) Contact Plating

- T = 3. Class 3. Gold flash plating
- T = 4. Class 2. 12 μ Pd/Ni + 2 μ Au (Recommended)
- T = 5. Class 1. 25 μ Pd/Ni + 2 μ Au

Male Contact Options

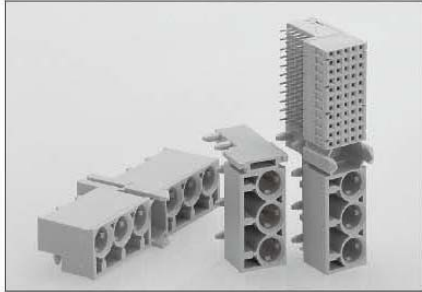


2.00 mm. HARD METRIC CONNECTORS

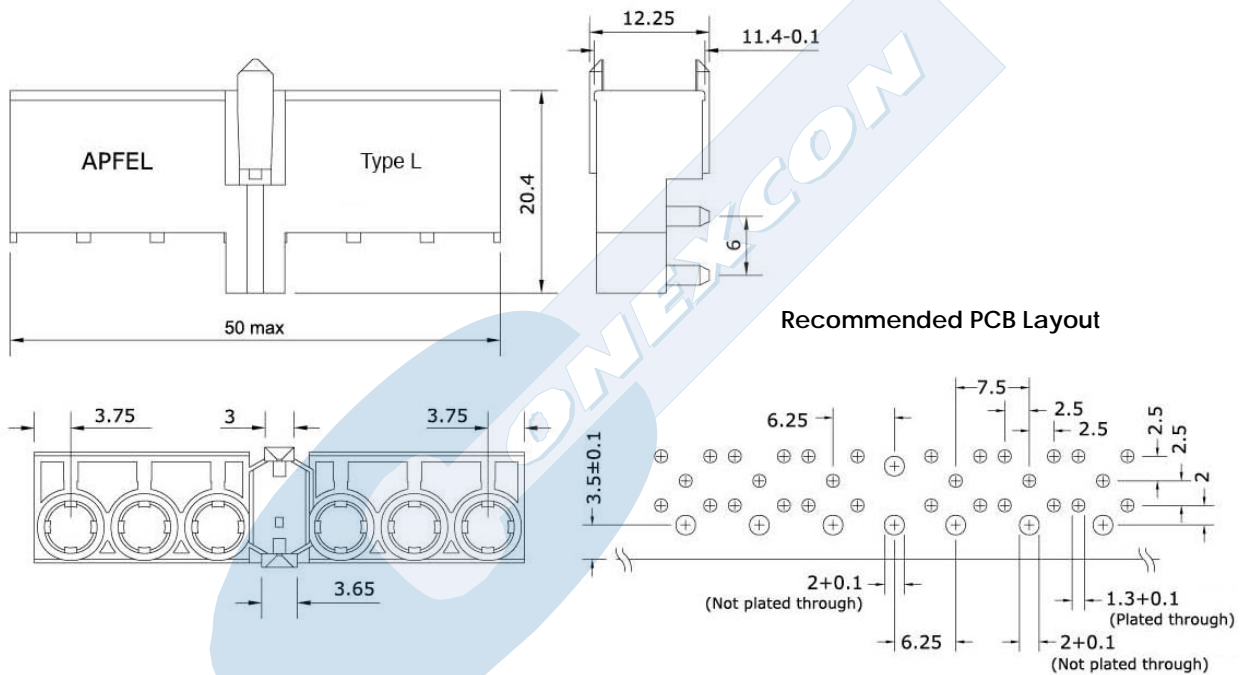


L000 SERIES. Right Angle Female Type L/M/N Connectors for Free Boards .

Product Information:



These connectors have 3 or 6 cavities for high current, coaxial or fiber optic contacts. The MPC on type L and M provides alignment guides and accepts optional coding keys. The half-size type N also provides with guiding and polarized pegs.



Dimensions shown are for reference purpose only. All dimensions are in millimeters unless otherwise specified.

Ordering Information:

L000- **T-** **006-** **1-** **1-** **S**
 1 2 3 4 5

1. Connector Series

2. (T) Contact Plating

- T = 3. Class 3. Gold flash plating
- T = 4. Class 2. 12 μ Pd/Ni + 2 μ Au (Recommended)
- T = 5. Class 1. 25 μ Pd/Ni + 2 μ Au

5. (S) Shielding

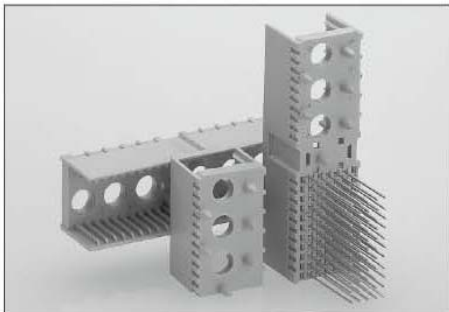
- 0. Not shielding
- 1. Shielding (Row Z and F)

2.00 mm. HARD METRIC CONNECTORS

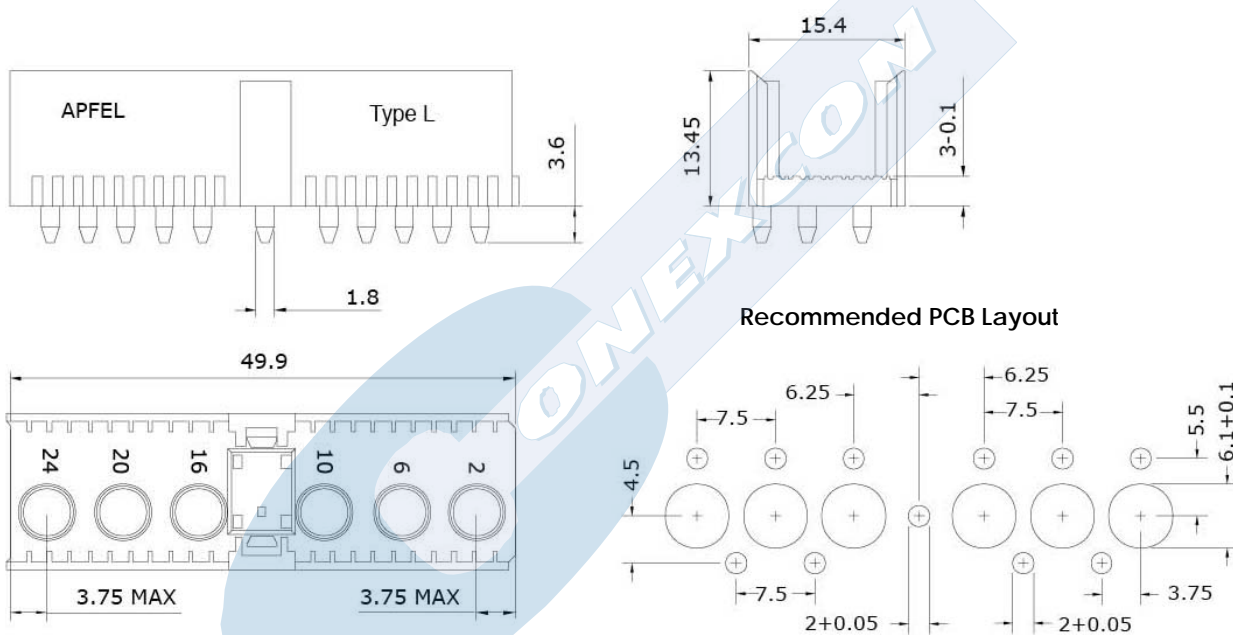


L001 SERIES. Vertical Male Type L/M/N Connectors for Fix Boards.

Product Information:



These connectors have 3 or 6 cavities for high current, coaxial or fiber optic contacts. The MPC on type L and M provides alignment guides and accepts optional coding keys. The half-size type N also provides additional guidance when used at the end of the card slot.



Dimensions shown are for reference purpose only. All dimensions are in millimeters unless otherwise specified.

Ordering Information:

L001- T- 006- 1- 1- S
 1 2 3 4 5

1. Connector Series

2. (T) Contact Plating

- T = 3. Class 3. Gold flash plating
- T = 4. Class 2. 12 μ Pd/Ni + 2 μ Au (Recommended)
- T = 5. Class 1. 25 μ Pd/Ni + 2 μ Au

5. (S) Shielding

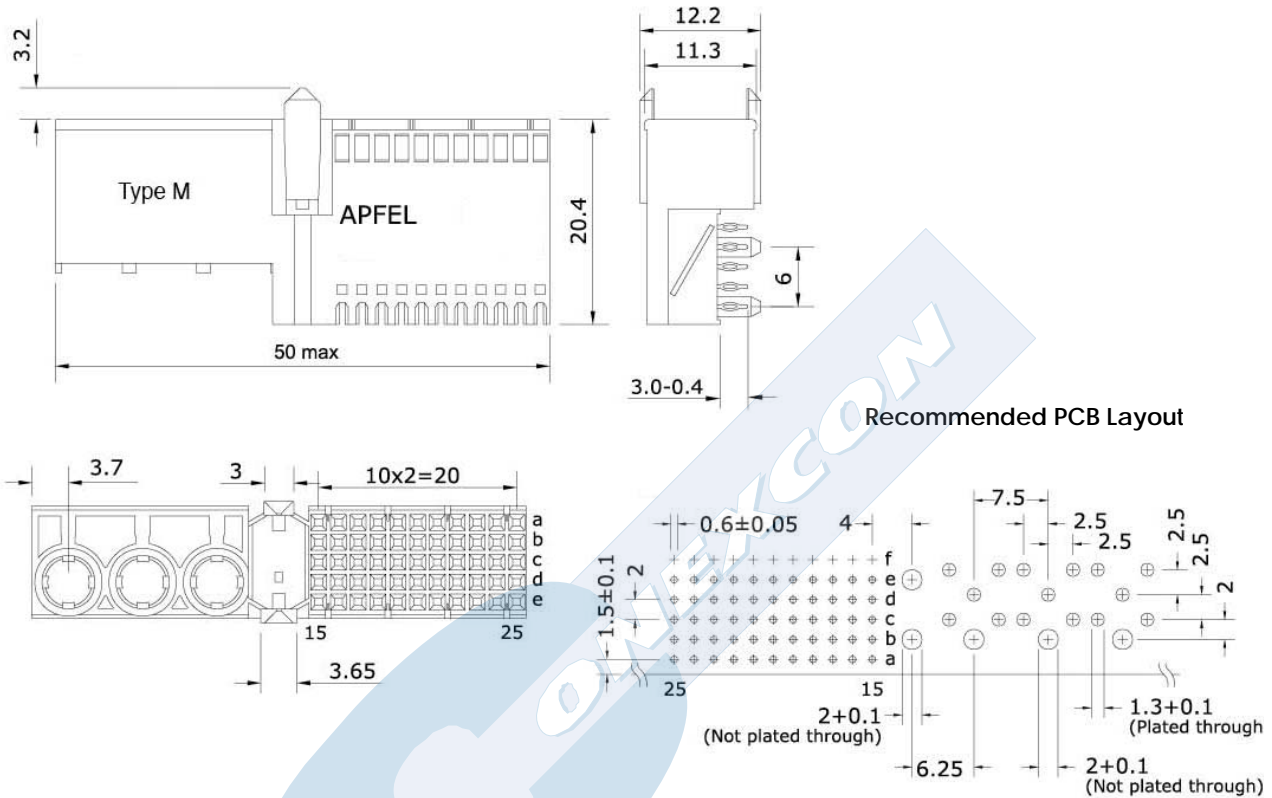
- 0. Not shielding
- 1. Shielding (Row Z and F)

2.00 mm. HARD METRIC CONNECTORS



M000 SERIES. Right Angle Female Type M Connectors for Free Boards .

Product Information:



Dimensions shown are for reference purpose only. All dimensions are in millimeters unless otherwise specified.

Ordering Information:

M000- T- 058- 1- 1- S
 1 2 3 4 5

1. Connector Series

2. (T) Contact Plating

- T = 3. Class 3. Gold flash plating
- T = 4. Class 2. 12 μ Pd/Ni + 2 μ Au (Recommended)
- T = 5. Class 1. 25 μ Pd/Ni + 2 μ Au

5. (S) Shielding

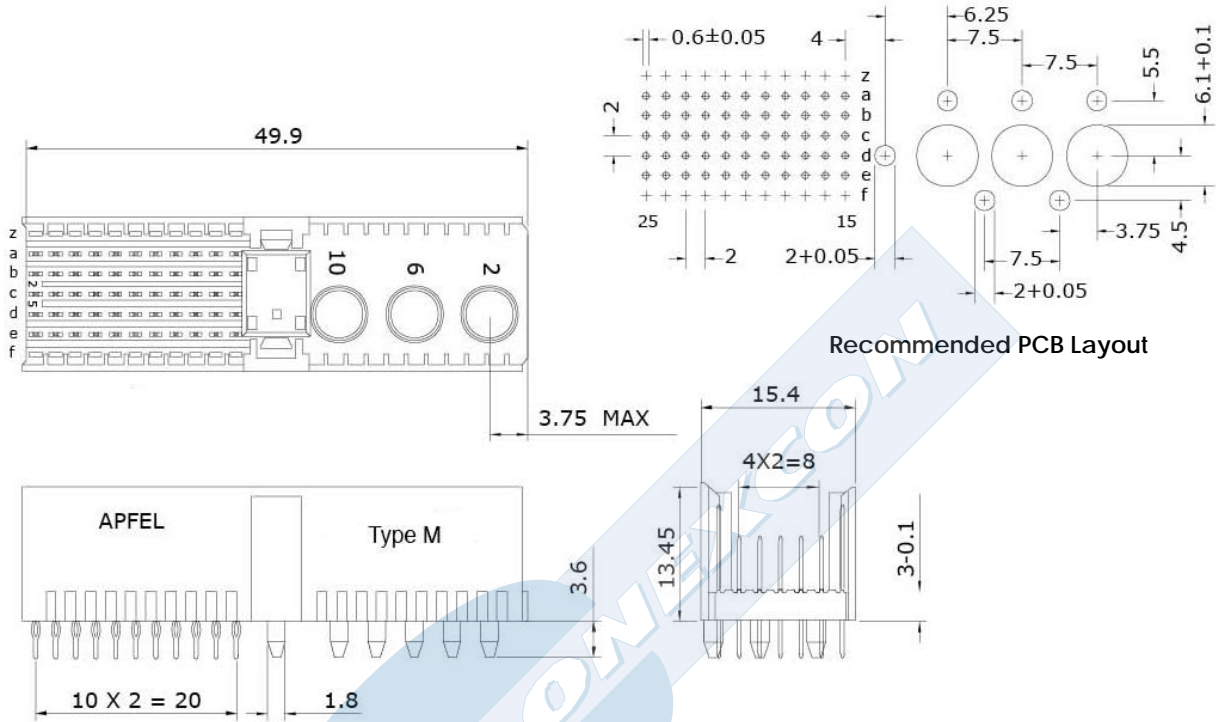
- 0. Not shielding
- 1. Shielding (Row Z and F)

2.00 mm. HARD METRIC CONNECTORS



M001 SERIES. Vertical Male Type M Connectors for Fix Boards.

Product Information:



Dimensions shown are for reference purpose only. All dimensions are in millimeters unless otherwise specified.

Ordering Information:

M001- T- 058- 1- 1- S

1 2 3 4 5

1. Connector Series

2. (T) Contact Plating

- T = 3. Class 3. Gold flash plating
- T = 4. Class 2. 12 μ Pd/Ni + 2 μ Au (Recommended)
- T = 5. Class 1. 25 μ Pd/Ni + 2 μ Au

5. (S) Shielding

- 0. Not shielding
- 1. Shielding (Row Z and F)

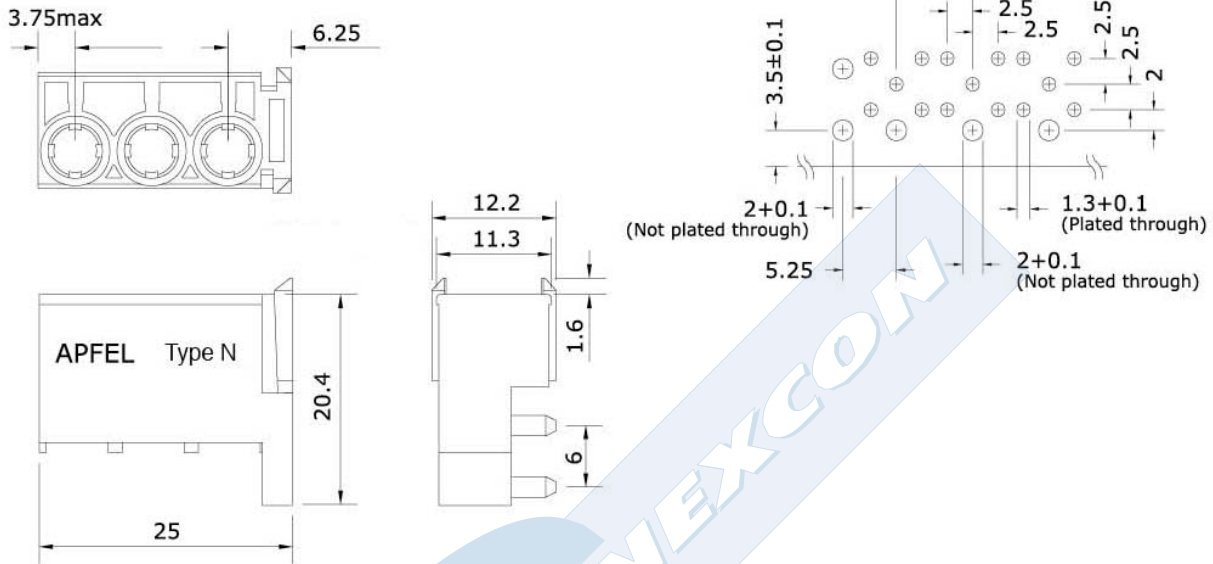
2.00 mm. HARD METRIC CONNECTORS



N000 SERIES. Vertical Male Type N Connectors for Fix Boards.

Product Information:

Recommended PCB Layout



Dimensions shown are for reference purpose only. All dimensions are in millimeters unless otherwise specified.

Ordering Information:

N000- T- 003- 1- 1- S

1 2 3 4 5

1. Connector Series

2. (T) Contact Plating

- T = 3. Class 3. Gold flash plating
- T = 4. Class 2. 12 μ Pd/Ni + 2 μ Au (Recommended)
- T = 5. Class 1. 25 μ Pd/Ni + 2 μ Au

5. (S) Shielding

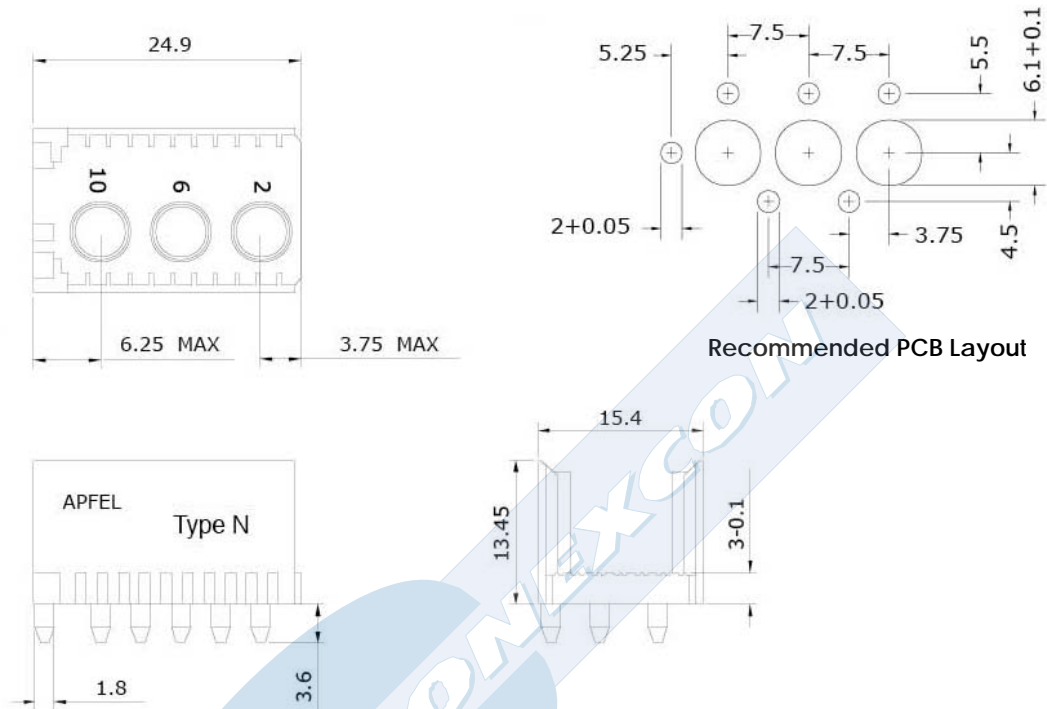
- 0. Not shielding
- 1. Shielding (Row Z and F)

2.00 mm. HARD METRIC CONNECTORS



N001 SERIES. Vertical Male Type N Connectors for Fix Boards.

Product Information:



Dimensions shown are for reference purpose only. All dimensions are in millimeters unless otherwise specified.

Ordering Information:

N001- T- 003- 1- 1- S

1 2 3 4 5

1. Connector Series

2. (T) Contact Plating

- T = 3. Class 3. Gold flash plating
- T = 4. Class 2. 12 μ Pd/Ni + 2 μ Au (Recommended)
- T = 5. Class 1. 25 μ Pd/Ni + 2 μ Au

5. (S) Shielding

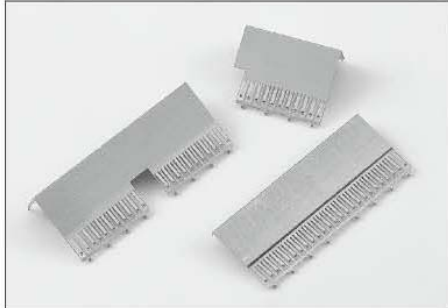
- 0. Not shielding
- 1. Shielding (Row Z and F)

2.00 mm. HARD METRIC CONNECTORS



2305 SERIES. Shielding Covers.

Product Information:



Upper ground return shield could be pre-installed to the female connectors, the lower shield is provided and assembled separately after installing of the connector onto the printed circuit board as required. Both the upper and lower shielding covers could be also ordered separately.

Ordering Information:

2305- T- XXXX- 1- P

1 2 3 4

1. Connector Series

2. (T) Contact Plating

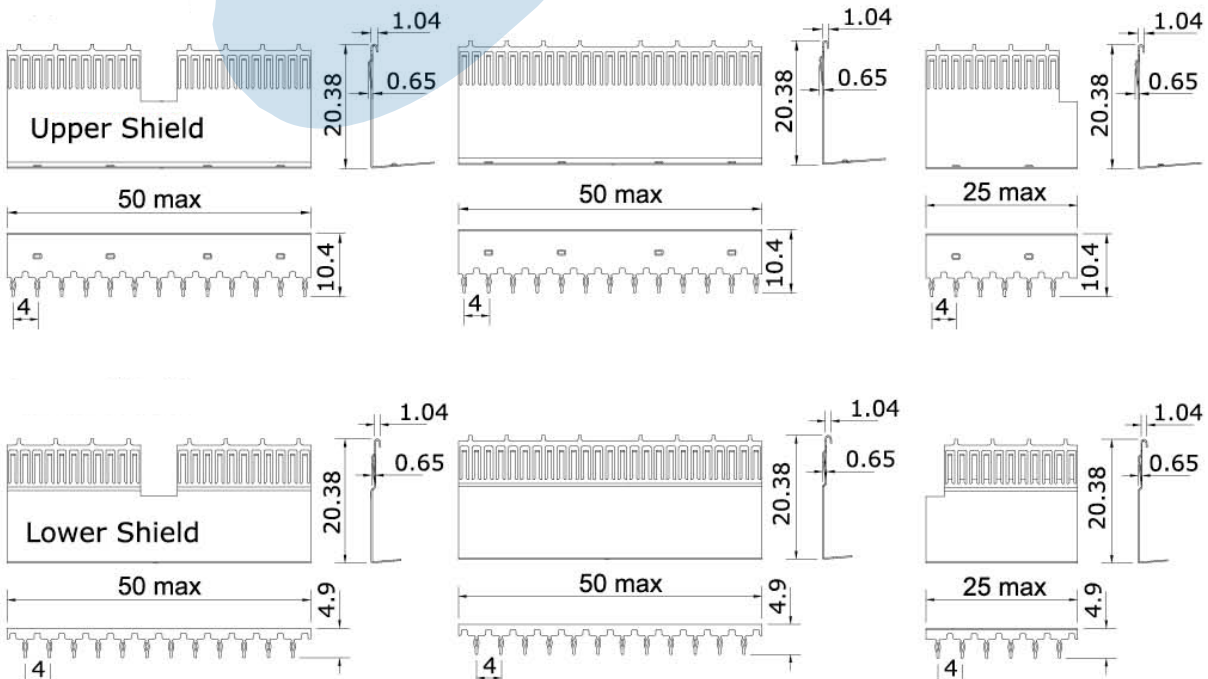
- T = 3. Class 3. Gold flash plating
- T = 4. Class 2. 12 μ Pd/Ni + 2 μ Au (Recommended)
- T = 5. Class 1. 25 μ Pd/Ni + 2 μ Au

3. (XXXX) Connector Type

- XXXX = A000. (Connector Type A)
- XXXX = AB25. (Connector Type AB25)
- XXXX = AB22. (Connector Type AB22)
- XXXX = AB19. (Connector Type AB19)
- XXXX = B025. (Connector Type B25)
- XXXX = B022. (Connector Type B22)
- XXXX = B019. (Connector Type B19)
- XXXX = C000. (Connector Type C)

4. (P) Shielded Options

- P = 1. Upper shielded
- P = 2. Lower shielded



2.00 mm. HARD METRIC CONNECTORS



2306 SERIES. Coding Keys.

Coding Keys:

Coding keys are snapped into both male and female of MPC (Mutipurpose Center) in the Type A, L and M connectors to prevent damage to the system resulted from incorrect insertion of cards. Only connector pairs equipped matching coding keys are intermateable. The unique color of the coding pairs provides easy visual identification of the correct mating connectors.

Ordering Information

Codeing Key	Code Number	Color	Part Number	Codeing Key	Code Number	Color	Part Number
	3568	Pastel orange	2306-3568		1247	Pastel orange	2306-1247
	3478	Steel Blue	2306-3478		1256	Steel Blue	2306-1256
	3467	Slate grey	2306-3467		1258	Slate grey	2306-1258
	3456	Cadmium yellow	2306-3456		1278	Cadmium yellow	2306-1278
	2578	Reseda green	2306-2578		1346	Reseda green	2306-1346
	1567	Brilliant blue	2306-1567		2348	Brilliant blue	2306-2348
	1356	Blue lilac	2306-1356		2478	Blue lilac	2306-2478
	4678	Ochre yellow	2306-4678		1235	Ochre yellow	2306-1235
	1248	Strawberry red	2306-1248		3567	Strawberry red	2306-3567
	1236	Nut brown	2306-1236		4578	Nut brown	2306-4578

The color/code number combinations listed above follows IEC61076-4-101 recommendation.
Consult factory for other versions.