

# PCB TERMINAL BLOCK



## BCEK381\*, BCEHK381\*, BCESK381\* SERIES. 3.81mm (0.150") pitch.

### General Features

- Available in 2 through 24 circuits
- High reliability structure of wires connections and professional applications
- Side and top wires entry
- Meet IEC 60998 and UL 1059 requirements and are approved by UL and VDE

### Materials

- Insulator: PA66 UL 94 V-0
- Contact: Electrolytic cooper tin plated
- Wire cage: High-strength steel alloys zinc plated
- Screw: High strength steel alloys M2 zinc plated
- Operating temperature: -40°C to +105°C
- RoHS compliant

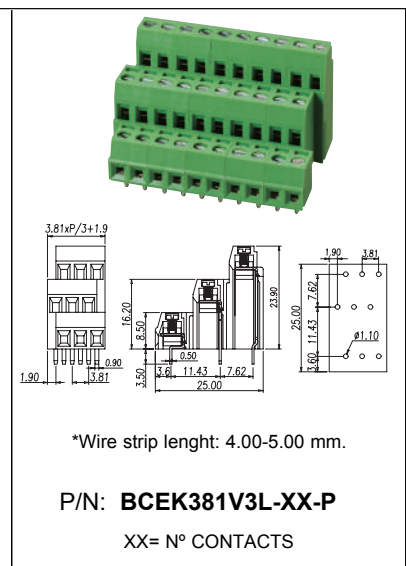
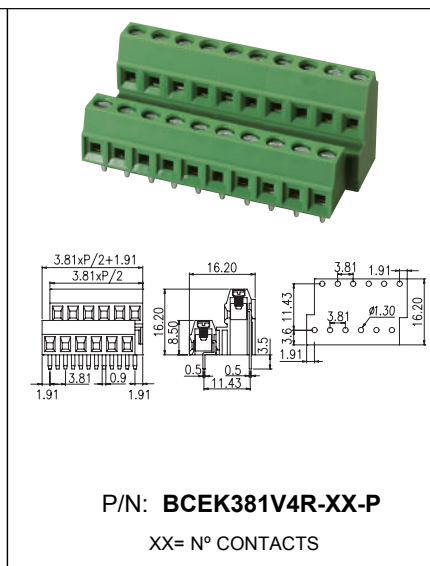
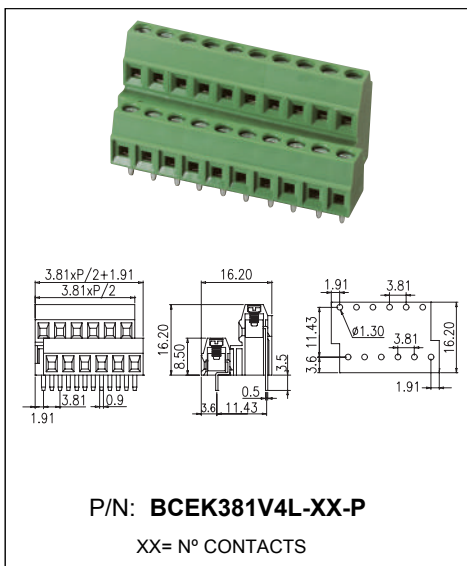
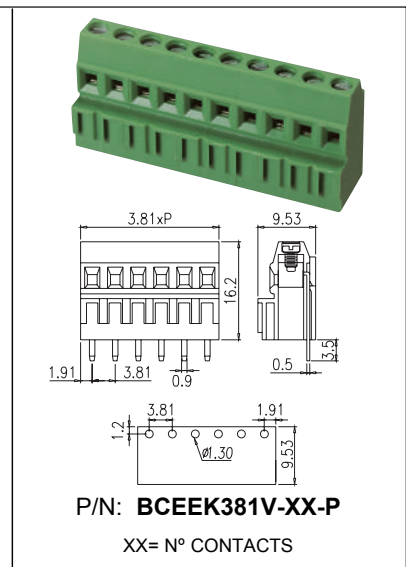
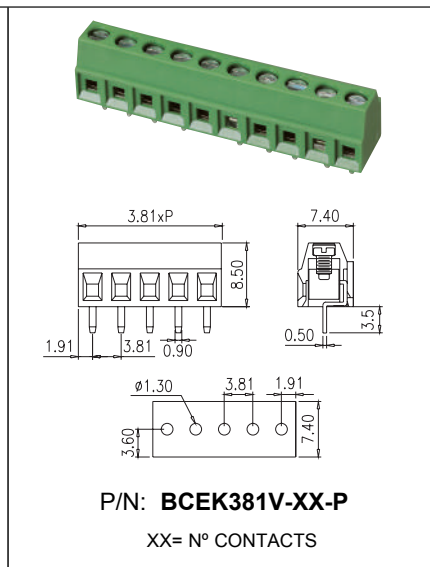
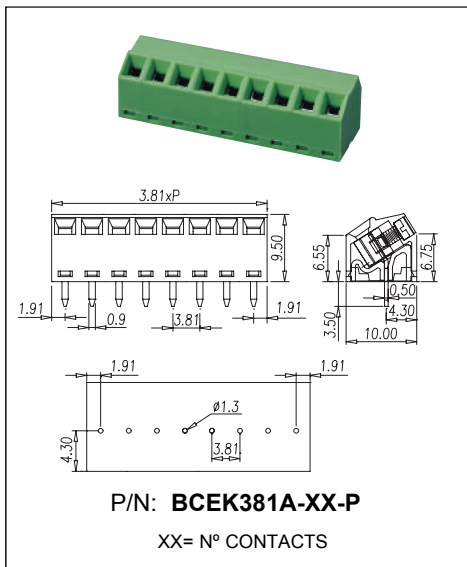
### Electrical Features

- Voltage rating: 300 V UL / 250 V IEC
- Rated current: 12 A UL / 12 A IEC
- Contact resistance: < 20 mΩ
- Rated surge voltage: 1600V UL / 2500V IEC
- Insulation resistance: >500 MΩ

### Mechanical features

- Wire strip length: 6.00 to 7.00 mm.
- Conductor cross-section: AWG 30-16
- Torque (N-m): 0.20
- Durability: 25 cycles

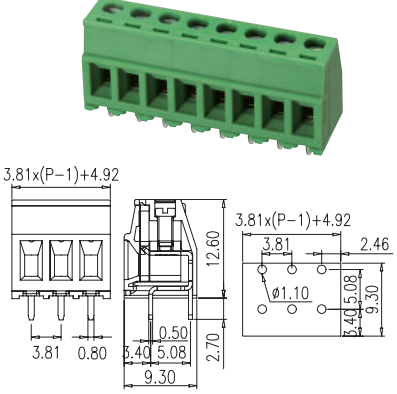
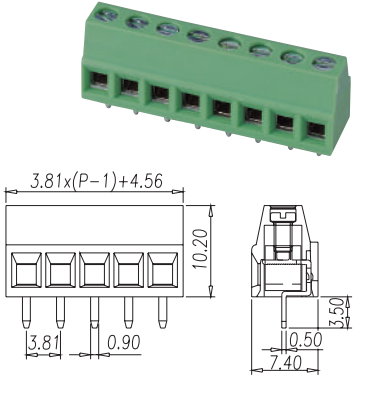
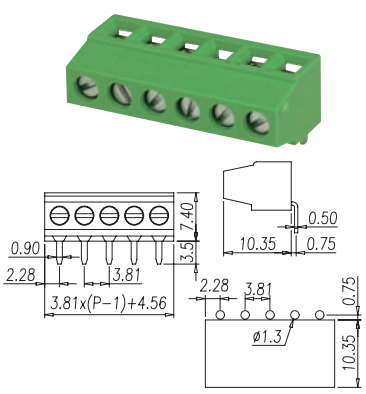
### Dimension Information

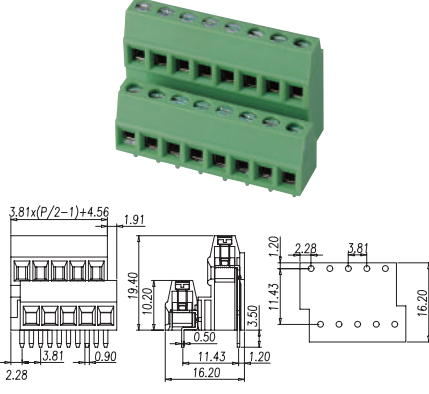


# PCB TERMINAL BLOCK



**BCEK381\*, BCEHK381\*, BCESK381\* SERIES. 3.81mm (0.150") pitch.**

 <p>* Conductor cross-section: 26-16</p> <p><b>P/N: BCEHK381V-XX-P</b></p> <p>XX= N° CONTACTS</p>	 <p>* Conductor cross-section: 30-14</p> <p><b>P/N: BCESK381V-XX-P</b></p> <p>XX= N° CONTACTS</p>	 <p>* Conductor cross-section: 30-14</p> <p><b>P/N: BCESK381R-XX-P</b></p> <p>XX= N° CONTACTS</p>
--	---	--

 <p>* Conductor cross-section: 30-14</p> <p><b>P/N: BCESK381V4L-XX-P</b></p> <p>XX= N° CONTACTS</p>		
---	--	--

--	--	--