

PCB TERM. BLOCK HIGH CURRENT (57 A UL)



BCEPK116V* SERIES. 10.16 mm. (0.400") to 15.24 mm. (0.600"). PCB Type.

General Features

- Available in 2 through 16 circuits
- High reliability structure of wires connections and professional applications
- Side wires entry. Single level structure
- Meet IEC 60998 and UL 1059 requirements and are approved by UL and VDE

Materials

- Insulator: PA66 UL 94 V-0
- Contact: Electrolytic copper tin plated
- Screw: High-strength steel alloys M 4 zinc plated
- Wire cage: High-strength steel alloys zinc plated
- Operating temperature: -40°C to +105°C
- RoHS compliant

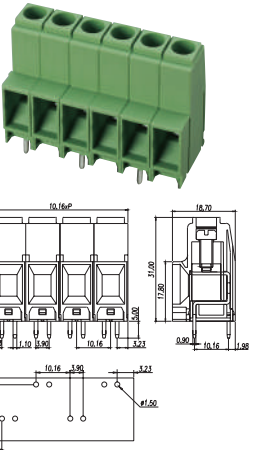
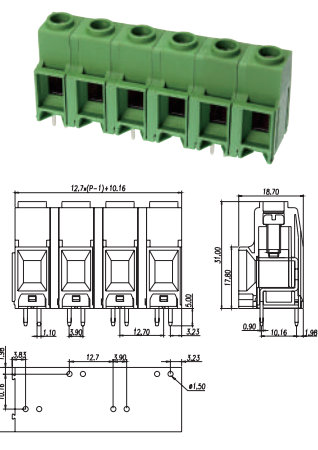
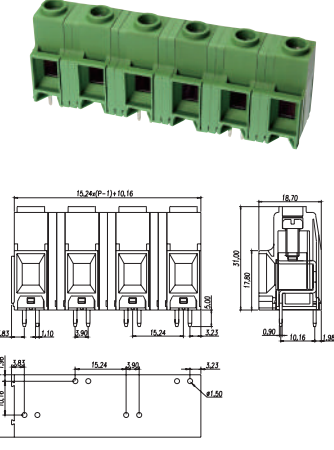
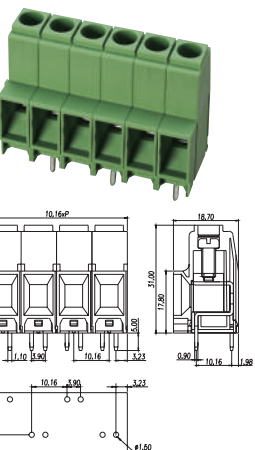
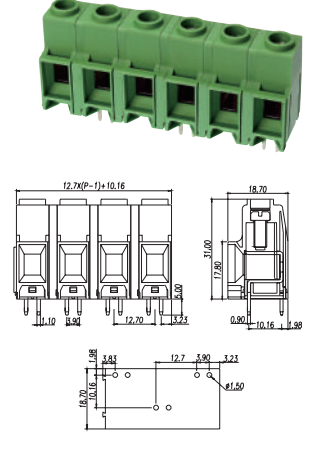
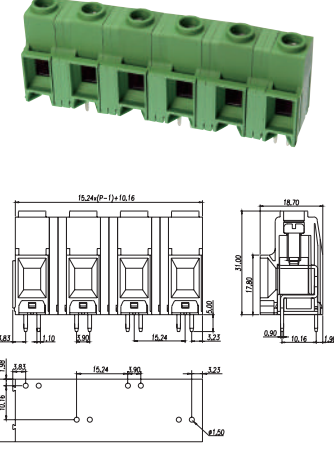
Electrical Features

- Voltage rating: 600 V UL / 1000 V IEC
- Rated current: 57 A UL / 76 A IEC
- Contact resistance: < 20 mΩ
- Rated surge voltage: 2200 V UL / 8000 V IEC
- Insulation resistance: >500 MΩ

Mechanical features

- Wire strip length: 12.00 mm.
- Conductor cross-section: AWG 20-6
- Torque (N-m): 1.20
- Durability: 25 cycles

Dimension Information

 <p>P/N: BCEPK116VN-XX-P XX= N° CONTACTS</p>	 <p>P/N: BCEPK116VN-XX-P1 XX= N° CONTACTS</p>	 <p>P/N: BCEPK116VN-XX-P2 XX= N° CONTACTS</p>
 <p>P/N: BCEPK116VS-XX-P XX= N° CONTACTS</p>	 <p>P/N: BCEPK116VS-XX-P1 XX= N° CONTACTS</p>	 <p>P/N: BCEPK116VS-XX-P2 XX= N° CONTACTS</p>