

HEADERS FOR PLUGGABLE TERMINAL BLOCK



BCECH*, BCECHB*, BCEECH*, BC0221*L SERIES. 3.81 mm (0.150") pitch.

General Features

- Available in 2 through 24 circuits
- Mates with 3.81 mm pitch pluggable terminal blocks
- Top side and 45° entry. Full polarised
- Meet IEC 61984 and UL 1059 requirements and are approved by UL and VDE

Materials

- Insulator: PA66 UL 94 V-0
- Contact: Electrolytic copper tin plated
- Operating temperature: -40°C to +105°C
- RoHS compliant

Dimension Information

Electrical Features

- Voltage rating: 300V UL / 320 V IEC
- Rated current: 8 A UL / 14 A IEC
- Contact resistance: < 20 mΩ
- Rated surge voltage: 1600V UL / 2500 V IEC
- Insulation resistance: >500 MΩ

Mechanical features

- Durability: 25 cycles
- *THR Version available for BC0221*L (Through Hole Reflow) (Tail terminal for THR 2.60 mm)

<p>P/N: BCECH381V-XX-P XX= N° CONTACTS</p>	<p>P/N: BCECH381R-XX-P XX= N° CONTACTS</p>	<p>P/N: BCECH381A-XX-P XX= N° CONTACTS</p>
<p>P/N: BCECH381VM-XX-P XX= N° CONTACTS</p>	<p>P/N: BCECH381RM-XX-P XX= N° CONTACTS</p>	<p>P/N: BCECH381AM-XX-P XX= N° CONTACTS</p>

HEADERS FOR PLUGGABLE TERMINAL BLOCK



BCECH*, BCECHB*, BCEECH*, BC0221*L SERIES. 3.81 mm (0.150") pitch.

P/N: BCECHB381V-XX-P
XX= N° CONTACTS

P/N: BCECHB381R-XX-P
XX= N° CONTACTS

P/N: BCEECH381V-XX-P
XX= N° CONTACTS

P/N: BCECHB381VM-XX-P
XX= N° CONTACTS

P/N: BCECHB381RM-XX-P
XX= N° CONTACTS

P/N: BCEECH381VM-XX-P
XX= N° CONTACTS

P/N: BCEECH381R-XX-P
XX= N° CONTACTS

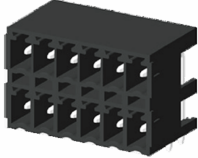
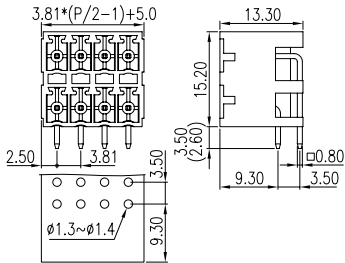
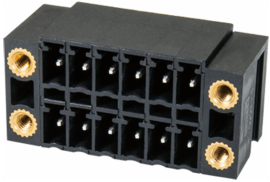
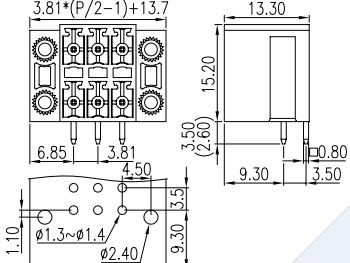
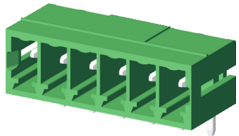
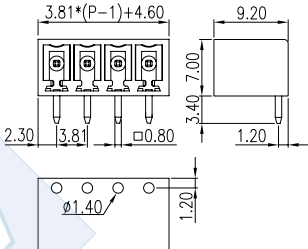
P/N: BCEECH381RM-XX-P
XX= N° CONTACTS

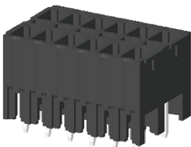
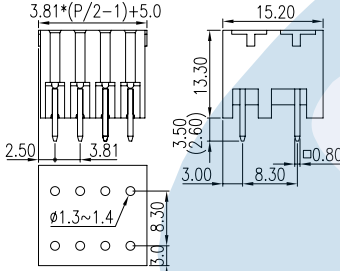
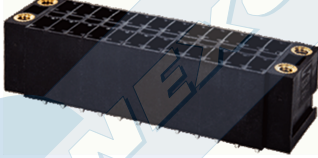
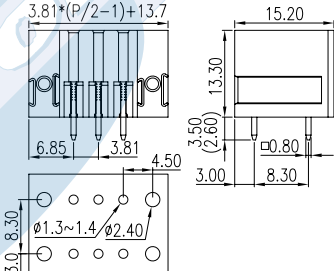
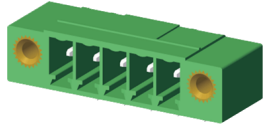
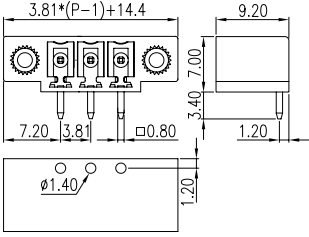
P/N: BCECH381H-XX-P
XX= N° CONTACTS


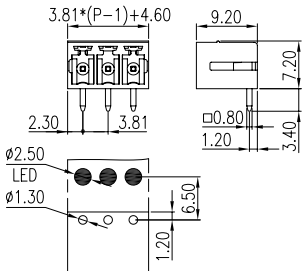

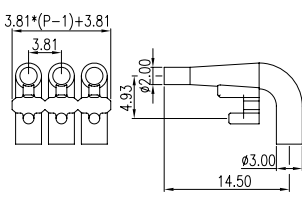
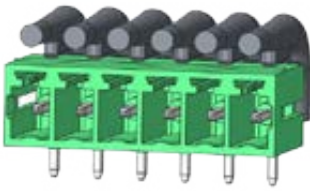
HEADERS FOR PLUGGABLE TERMINAL BLOCK



BCECH*, BCECHB*, BCEECH*, BC0221*L SERIES. 3.81 mm (0.150") pitch.

  <p>P/N: BC022133-XX-L XX= N° CONTACTS</p>	  <p>P/N: BC022151-XX-L XX= N° CONTACTS</p>	  <p>P/N: BCECH381RR-XX-P XX= N° CONTACTS</p>
--	---	--

  <p>P/N: BC022139-XX-L XX= N° CONTACTS</p>	  <p>P/N: BC022152-XX-L XX= N° CONTACTS</p>	  <p>P/N: BCECH381RRM-XX-P XX= N° CONTACTS</p>
---	--	--

  <p>P/N: BCECH381RG-XX-P XX= N° CONTACTS</p>	  <p>P/N: BCECHG1-XX-P XX= N° CONTACTS</p>	 <p>Socket (BCECH381RG-XX-P) assembled with light pipe (ECHG1)</p>
--	---	---