

HEADERS FOR PLUGGABLE TERM. BLOCK



BC7EHD* SERIES. 7.50 mm (0.295") pitch. PCB Type.

General Features

- Available in 2 through 24 circuits
- Mates with 5.08 mm. pitch pluggable plugs term. blocks
- Top and side entry type. Full polarised
- Meet IEC 61984 and UL 1059 requirements and are approved by UL and VDE

Materials

- Insulator: PA66 UL 94 V-0
- Contact: Electrolytic cooper tin plated
- Operating temperature: -40°C to +105°C
- RoHS compliant

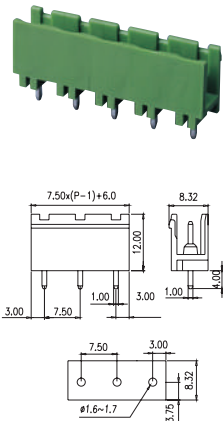
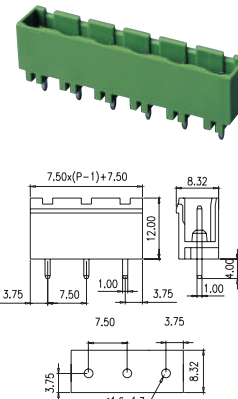
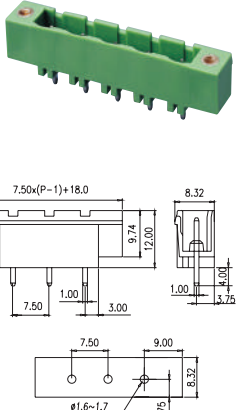
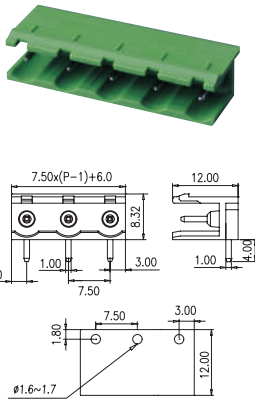
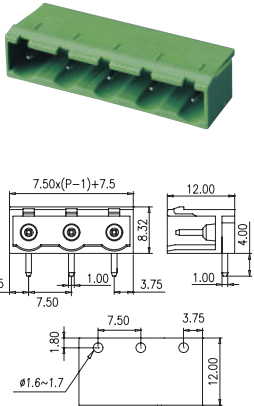
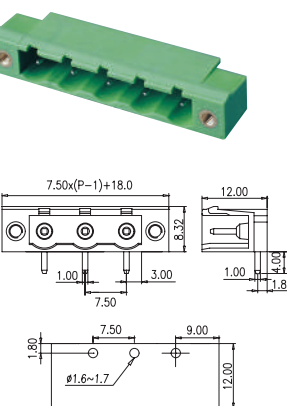
Dimension Information

Electrical Features

- Voltage rating: 300V UL / 800V IEC
- Rated current: 15 A UL / 18 A IEC
- Contact resistance: < 20 mΩ
- Rated surge voltage: 1600V UL / 6000V IEC
- Insulation resistance: >500 MΩ

Mechanical features

- Durability: 25 cycles

 <p>P/N: BC7EHDV-XX-P XX= N° CONTACTS</p>	 <p>P/N: BC7EHDVC-XX-P XX= N° CONTACTS</p>	 <p>P/N: BC7EHDVM-XX-P XX= N° CONTACTS</p>
 <p>P/N: BC7EHDR-XX-P XX= N° CONTACTS</p>	 <p>P/N: BC7EHDRC-XX-P XX= N° CONTACTS</p>	 <p>P/N: BC7EHDRM-XX-P XX= N° CONTACTS</p>