

PLUG FOR PLUGGABLE TER. BLOCK SCREW



BC2ESD*, BC2EHD*, BC2ESH*, BCESDK* SERIES. 5.08 mm. (0.200").

General Features

- Available in 2 through 24 circuits
- Mates with 5.08 mm. pitch headers (sockets) pluggable terminal blocks
- Full polarised. Front or side wire entry
- Meet IEC 61984 and UL 1059 requirements and are approved by UL and VDE

Materials

- Insulator: PA66 UL 94 V-0
- Contact: Electrolytic copper tin plated
- Screw: High-strength steel alloys M. 2.5 zinc plated
- Operating temperature: -40°C to +105°C
- Wire cage: High-strength steel alloys zinc plated
- RoHS compliant

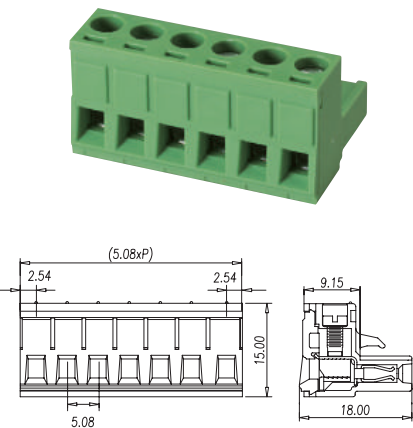
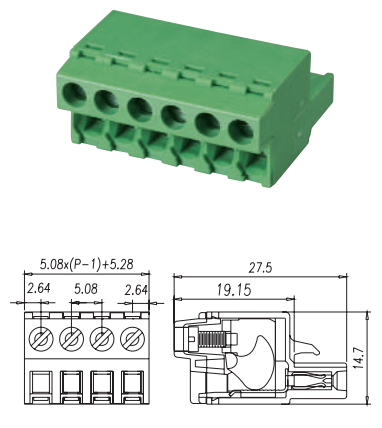
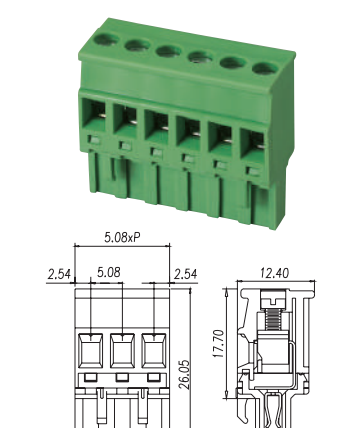
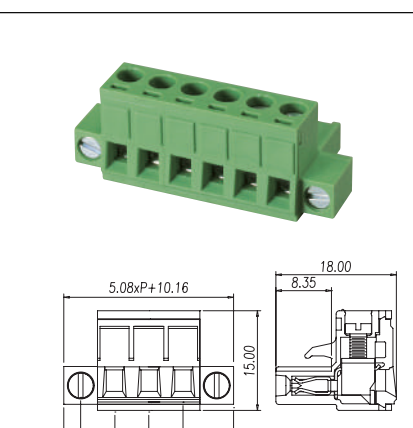
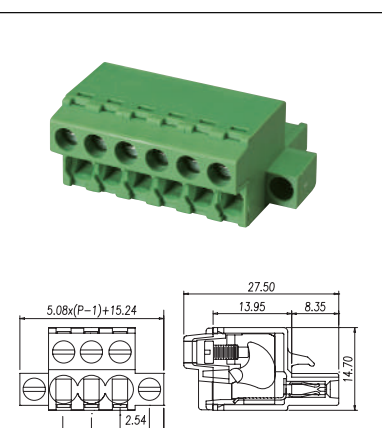
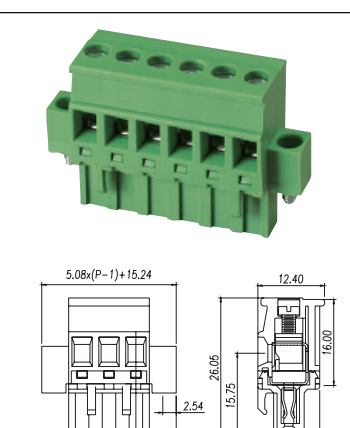
Electrical Features

- Voltage rating: 300V UL / 600 V IEC
- Rated current: 15 A UL / 18 A IEC
- Contact resistance: < 20 mΩ
- Rated surge voltage: 1600V UL / 4000 V IEC
- Insulation resistance: >500 MΩ

Mechanical features

- Wire strip length: 7.00 to 8.00 mm.
(Series BC2ESDF* 9.00 to 10.00 mm.)
- Conductor cross-section: AWG 30-12
- Contact retention force to housing: > 0,50 Kgf/pin
- Torque (N-m): 0.49
- Durability: 25 cycles

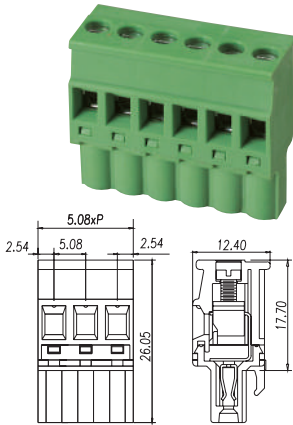
Dimension Information

 <p>P/N: BC2ESDV-XX-P XX= N° CONTACTS</p>	 <p>P/N: BC2ESDF-XX-P XX= N° CONTACTS</p>	 <p>P/N: BC2ESDP-XX-P XX= N° CONTACTS</p>
 <p>P/N: BC2ESDVM-XX-P XX= N° CONTACTS</p>	 <p>P/N: BC2ESDFM-XX-P XX= N° CONTACTS</p>	 <p>P/N: BC2ESDPM-XX-P XX= N° CONTACTS</p>

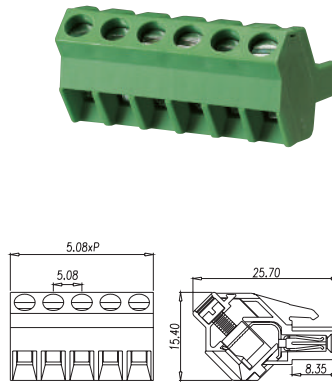
PLUG FOR PLUGGABLE TER. BLOCK SCREW



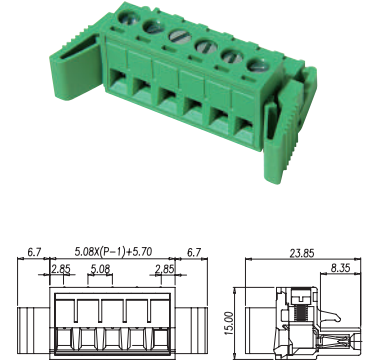
BC2ESD*, BC2EHD*, BC2ESH*, BCESDK* SERIES. 5.08 mm. (0.200").



P/N: **BC2ESDPL-XX-P**
XX= N° CONTACTS



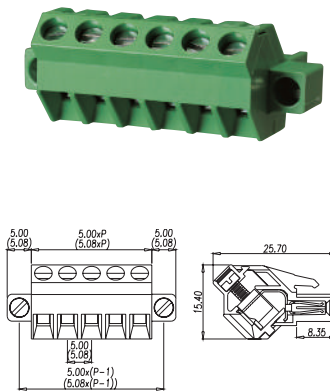
P/N: **BC2ESDA-XX-P**
XX= N° CONTACTS



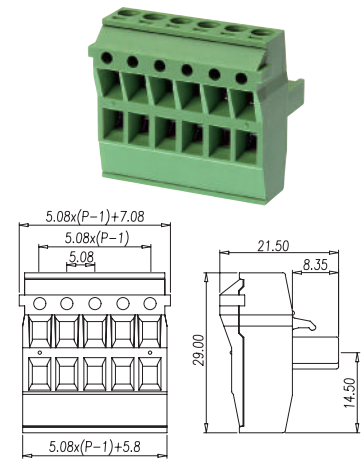
P/N: **BC2ESDVT-XX-P**
XX= N° CONTACTS



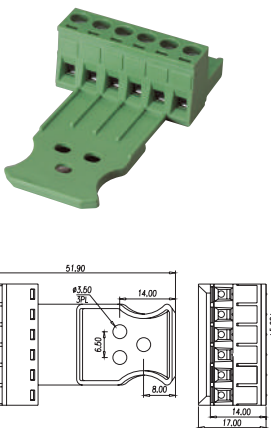
P/N: **BC2ESDPLM-XX-P**
XX= N° CONTACTS



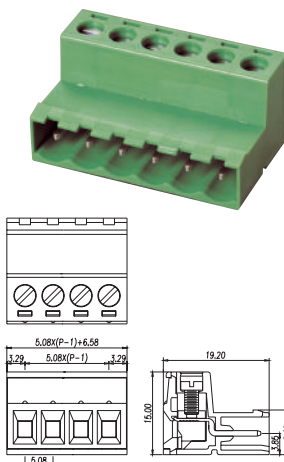
P/N: **BC2ESDAM-XX-P**
XX= N° CONTACTS



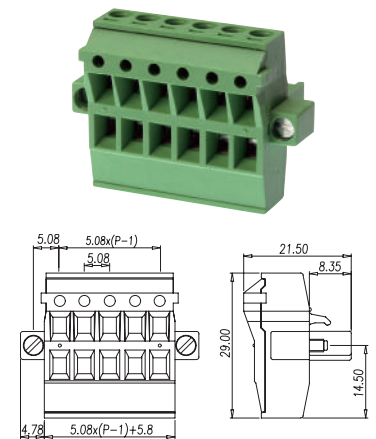
P/N: **BC2ESDVb-XX-P**
XX= N° CONTACTS



P/N: **BC2ESDL-XX-P**
XX= N° CONTACTS



P/N: **BC2ESH-XX-P**
XX= N° CONTACTS

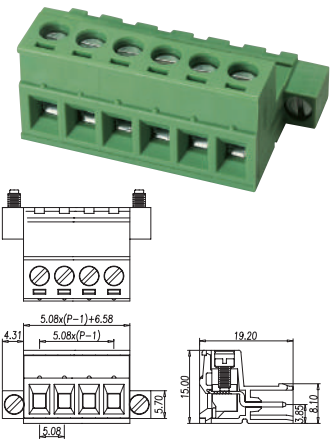
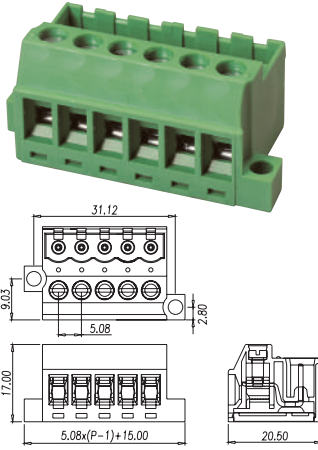
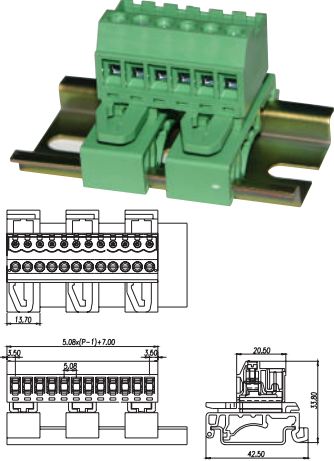


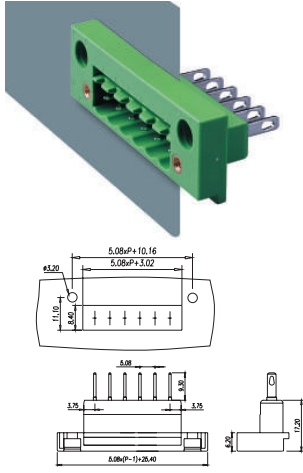
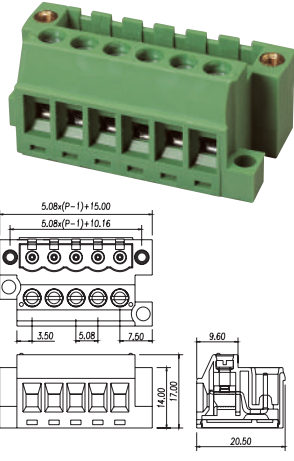
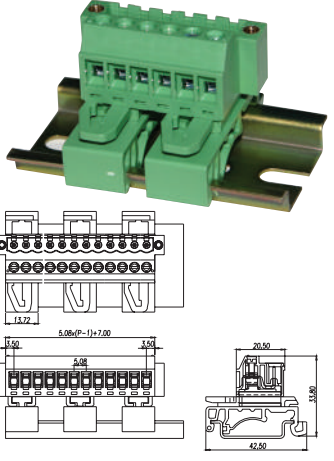
P/N: **BC2ESDVbM-XX-P**
XX= N° CONTACTS

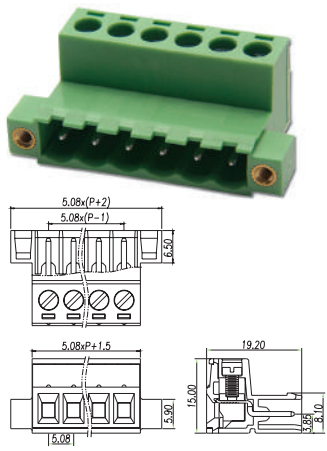
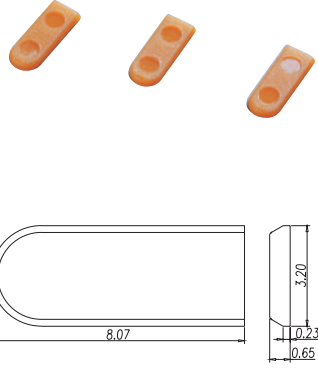
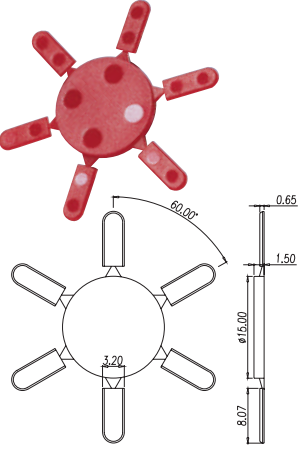
PLUG FOR PLUGGABLE TER. BLOCK SCREW



BC2ESD*, BC2EHD*, BC2ESH*, BCESDK* SERIES. 5.08 mm. (0.200").

 <p>P/N: BC2ESHM-XX-P XX= N° CONTACTS</p>	 <p>P/N: BC2EHDRS-XX-P XX= N° CONTACTS</p>	 <p>P/N: BC2EHDRD-XX-P XX= N° CONTACTS</p>
---	--	--

 <p>P/N: BC2EHDP-XX-P XX= N° CONTACTS</p>	 <p>P/N: BC2EHDRSM-XX-P XX= N° CONTACTS</p>	 <p>P/N: BC2EHDRDM-XX-P XX= N° CONTACTS</p>
--	--	--

 <p>P/N: BC2ESDHM-XX-P XX= N° CONTACTS</p>	 <p>P/N: BCESDK1</p>	 <p>P/N: BCESDK2</p>
--	--	--