

PLUG FOR PLUGGABLE TER. BLOCK SPRING



BC02212*, BC02561* SERIES. 3.50 mm. (0.138"). For wire spring Type

General Features

- Available in 2 through 24 circuits
- Mates with 3.50 mm. pitch headers (Socket) pluggable terminal blocks
- Front or side wire entry. Full polarised
- Meet IEC 60947-7-4 and UL 1059 requirements and are approved by UL and VDE

Materials

- Insulator: PA66 UL 94 V-0
- Contact: Phosphor bronze tin plated
- Wire Cage: Cooper nickel plated
- Operating temperature: -40°C to +105°C
- RoHS compliant

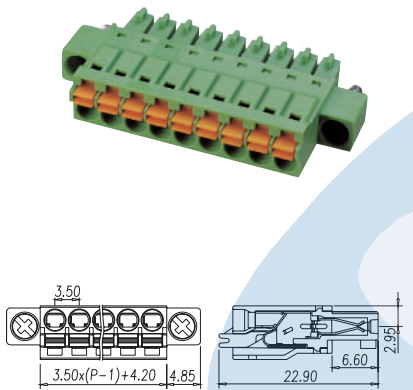
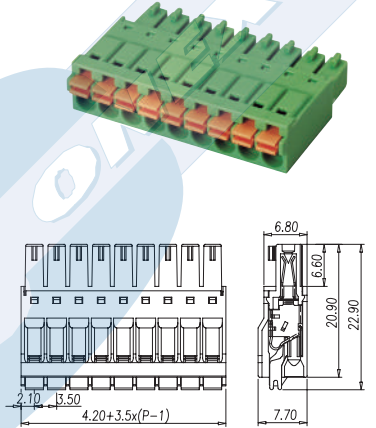
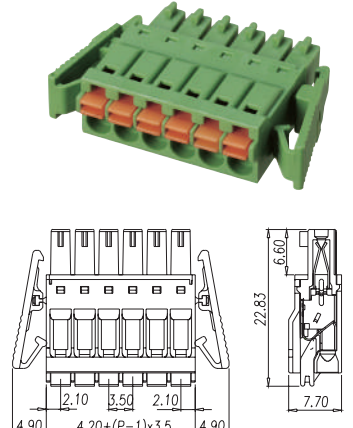
Dimension Information

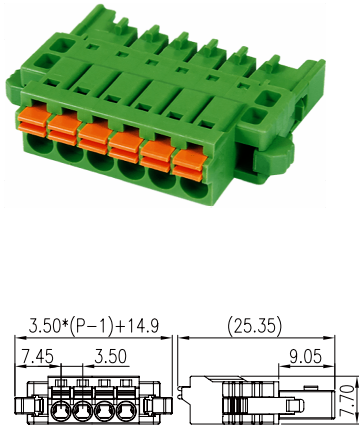
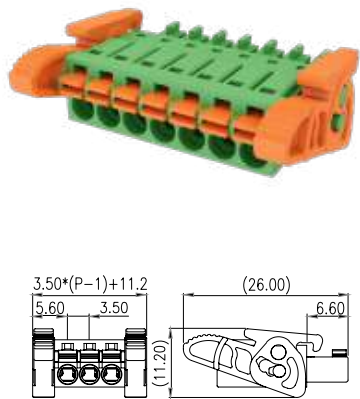
Electrical Features

- Voltage rating: 300 V UL; 320 V IEC;
- Rated current: 8 A UL / 6 A IEC
- Contact resistance: < 20 mΩ
- Rated surge voltage: 1600V UL / 2500 V IEC
- Insulation resistance: >500 MΩ

Mechanical features

- Wire strip length: 7.00 to 8.00 mm.
(Series BC0221-24 10.00 mm)
- Conductor cross-section: AWG 28 -14
- Durability: 25 cycles


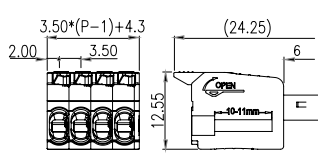

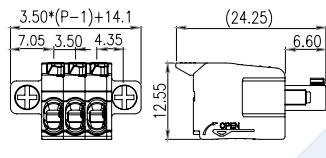

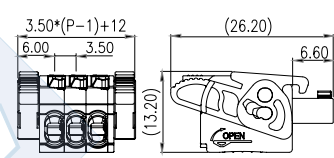
 <p>P/N: BC022128-XX XX= N° CONTACTS</p>	 <p>P/N: BC022120-XX XX= N° CONTACTS</p>	 <p>P/N: BC022124-XX XX= N° CONTACTS</p>
---	--	---

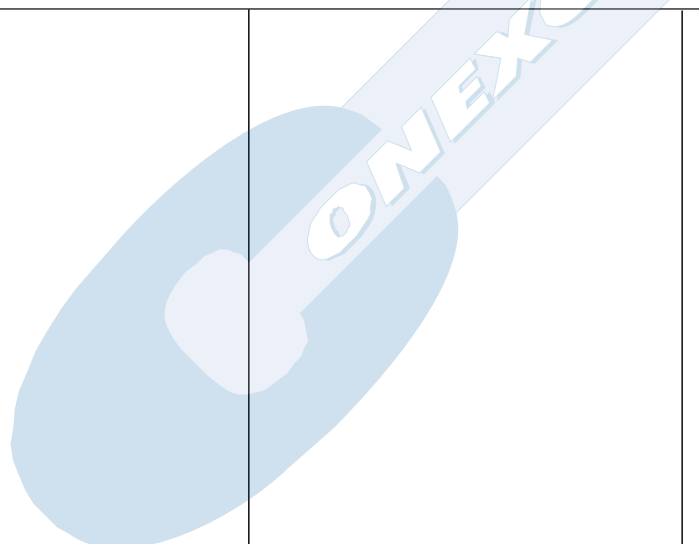
 <p>P/N: BC022121-XX XX= N° CONTACTS</p>	 <p>P/N: BC022129-XX XX= N° CONTACTS</p>	
--	---	--

PLUG FOR PLUGGABLE TER. BLOCK SPRING



BC02212*, BC02561* SERIES. 3.50 mm. (0.138"). For wire spring Type

  <p>P/N: BC0256-11XX XX= N° CONTACTS</p>	  <p>P/N: BC0256-12XX XX= N° CONTACTS</p>	  <p>P/N: BC0256-14XX XX= N° CONTACTS</p>
--	--	--

		
---	--	--

--	--	--