

SOCKET PLUGGABLE PID



BC01562S* SERIES. 3.50 mm. (0.138"). Push In design.

General Features

- Available in 4 through 40 circuits
- Double level plug and easy pluggable style
- Mates with 3.50 mm. pitch plugs pluggable terminal blocks BC01562P series
- Full polarised. Front or side wire entry
- UL Approval

Materials

- Insulator: High temperature plastic UL 94 V-0
- Contact: Cooper alloy tin plated
- Operating temperature: -40°C to +115°C
- RoHS compliant

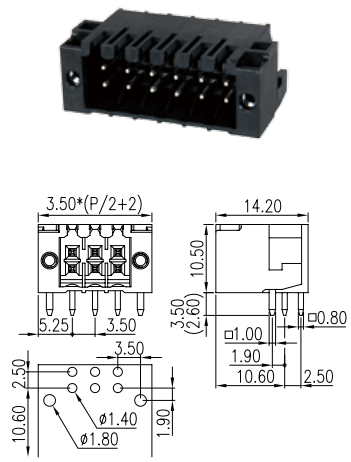
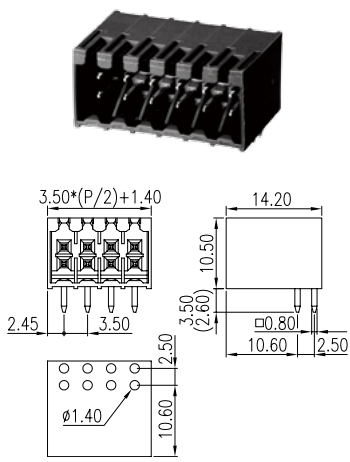
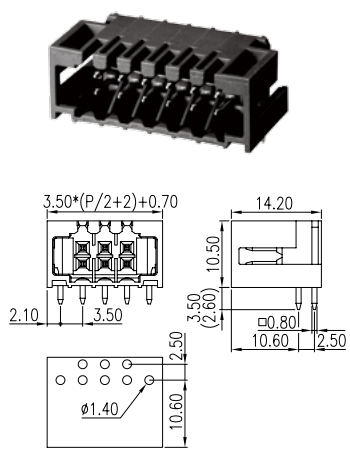
Dimension Information

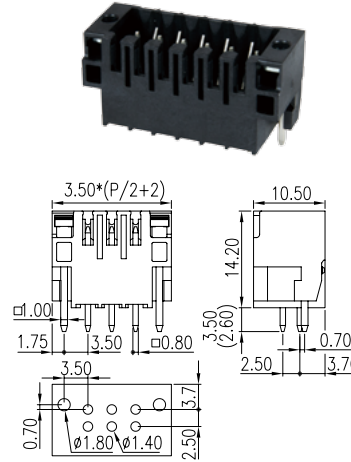
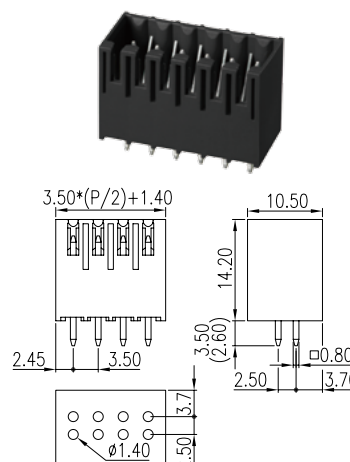
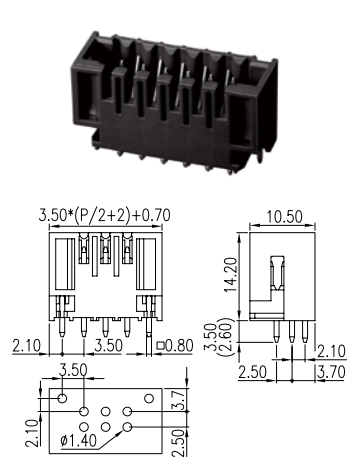
Electrical Features

- Voltage rating: 150V UL / 320V IEC
- Rated current: 8 A UL / 10 A IEC
- Contact resistance: < 20 mΩ
- Rated surge voltage: 2500 V
- Insulation resistance: >500 MΩ

Mechanical features

- Durability: 25 cycles

 <p>P/Nº: BC0156-26XX-BK XX= N° CONTACTS</p>	 <p>P/Nº: BC0156-25XX-BK XX= N° CONTACTS</p>	 <p>P/Nº: BC0156-29XX-BK XX= N° CONTACTS</p>
---	--	---

 <p>P/Nº: BC0156-21XX-BK XX= N° CONTACTS</p>	 <p>P/Nº: BC0156-20XX-BK XX= N° CONTACTS</p>	 <p>P/Nº: BC0156-24XX-BK XX= N° CONTACTS</p>
--	---	--