

HEADERS FOR PLUGGABLE TERM. BLOCK



BC01351* SERIES. 5.00 mm. (0.197") pitch. PCB Type

General Features

- Available in 2 through 25 circuits
- Mates with 5.00 mm. pitch pluggable plugs terminal Blocks 01341* Series
- Top and side entry. Full polarised
- Meet UL and IEC standards

Materials

- Insulator: PA66 UL 94 V-0
- Contact: Electrolytic cooper tin plated
- Operating temperature: -40°C to +105°C
- RoHS compliant

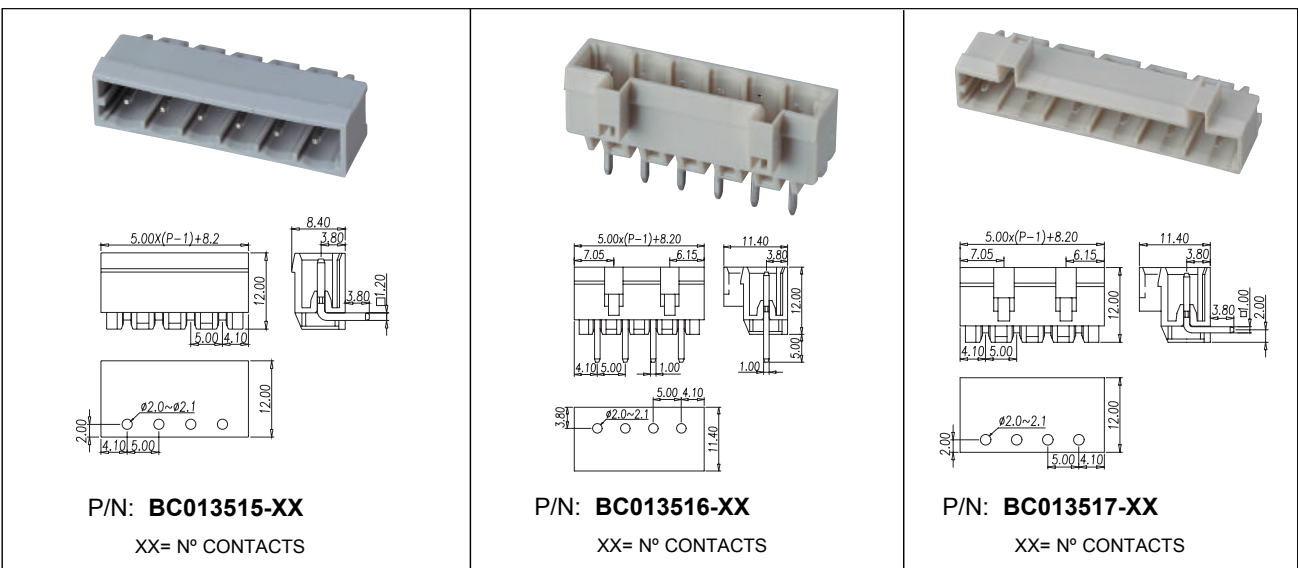
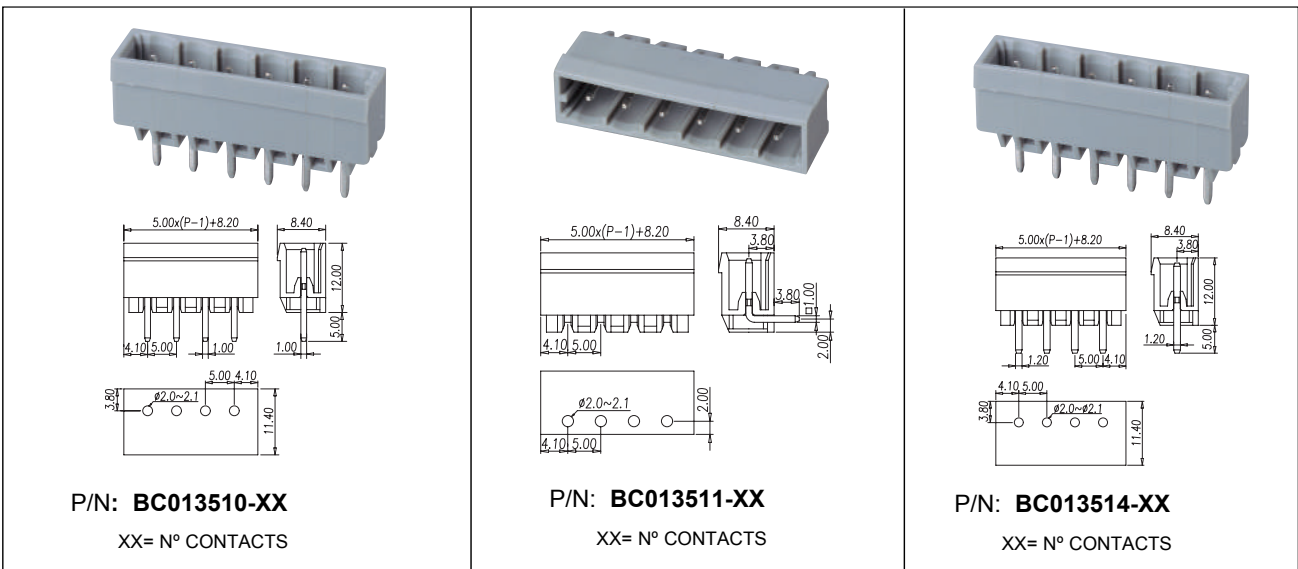
Dimension Information

Electrical Features

- Voltage rating: 300V UL; 250V IEC;
- Rated current: 15 A UL / 12 A IEC
- Contact resistance: < 20 mΩ
- Rated surge voltage: 1600V UL / 4000 V IEC
- Insulation resistance: >500 MΩ

Mechanical features

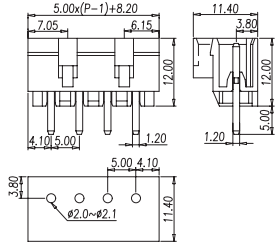
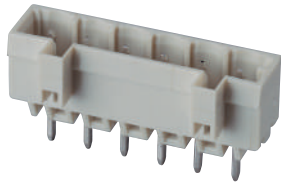
- Durability: 25 cycles



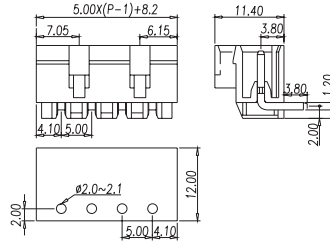
HEADERS FOR PLUGGABLE TERM. BLOCK



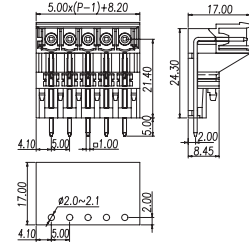
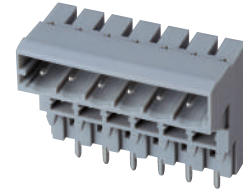
BC01351* SERIES. 5.00 mm. (0.197") pitch. PCB Type



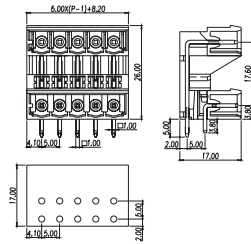
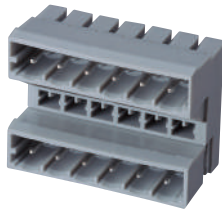
P/N: **BC013518-XX**
XX= N° CONTACTS



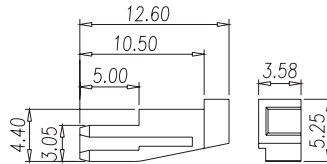
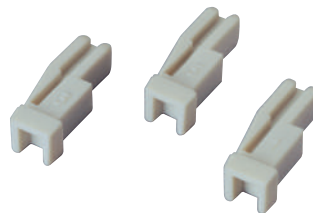
P/N: **BC013519-XX**
XX= N° CONTACTS



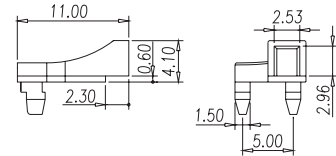
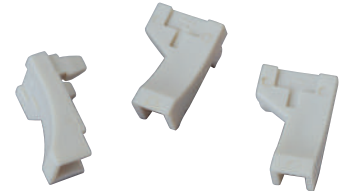
P/N: **BC013512-XX**
XX= N° CONTACTS



P/N: **BC013513-XX**
XX= N° CONTACTS



P/N: **BC0135L1-XX**
XX= N° CONTACTS



P/N: **BC0135L2-XX**
XX= N° CONTACTS