

HEADERS FOR PLUGGABLE TERM. BLOCK



BC01353* SERIES. 7.50 mm. (0.295") pitch. PCB Type

General Features

- Available in 2 through 12 circuits
- Mates with 7.50 mm. pitch pluggable plugs terminal blocks BC01343* Series
- Top and side entry. Full polarised.
- Meet UL and IEC standards

Materials

- Insulator: PA66 UL 94 V-0
- Contact: Electrolytic copper tin plated
- Operating temperature: -40°C to +105°C
- RoHS compliant

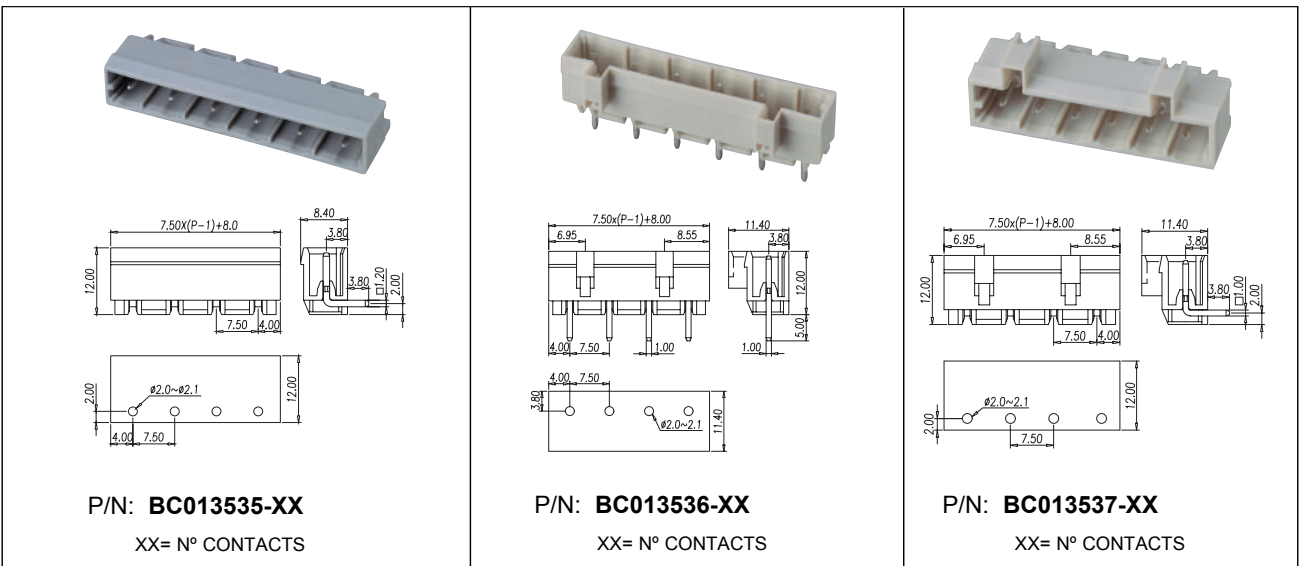
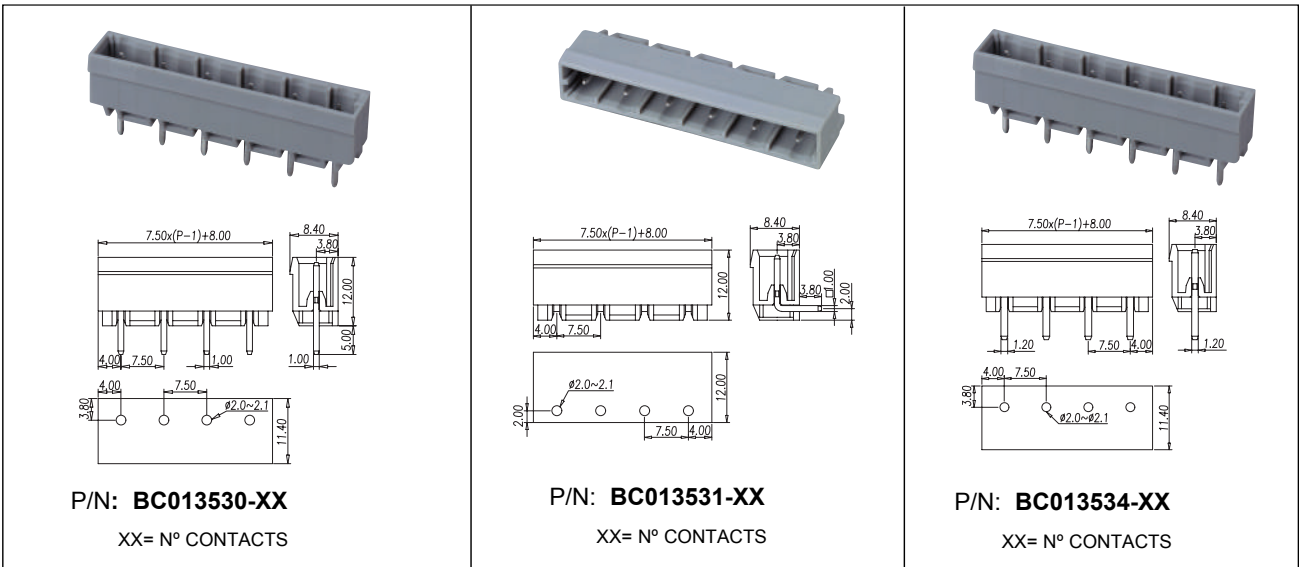
Dimension Information

Electrical Features

- Voltage rating: 300V UL; 450V IEC;
- Rated current: 15 A UL / 12 A IEC
- Contact resistance: < 20 mΩ
- Rated surge voltage: 1600V UL / 6000 V IEC
- Insulation resistance: >500 MΩ

Mechanical features

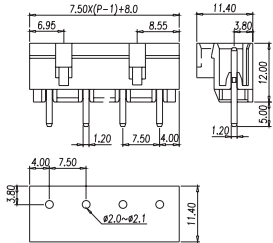
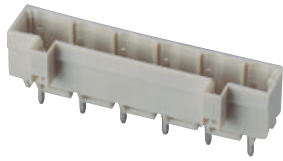
- Durability: 25 cycles



HEADERS FOR PLUGGABLE TERM. BLOCK

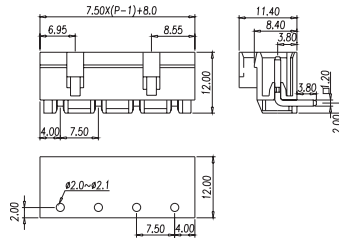


BC01353* SERIES. 7.50 mm. (0.295") pitch. PCB Type



P/N: **BC013538-XX**

XX= N° CONTACTS



P/N: **BC013539-XX**

XX= N° CONTACTS