

NOTES:

- 1.ELECTRICAL TEST:100% OPEN,SHORT & MISS WIRE TEST.
- 2.INSULATOR RESISTANCE: 5M OHMS MIN.
- 3.HI-POT: DC 300V 0.01sec.
4. ALL MATERIAL FIT ROHS STANDARD.

Part Number:

9608 - XXX - P - G

1 2 3 4

1. Serie

2. (XXX) Length in Cm,

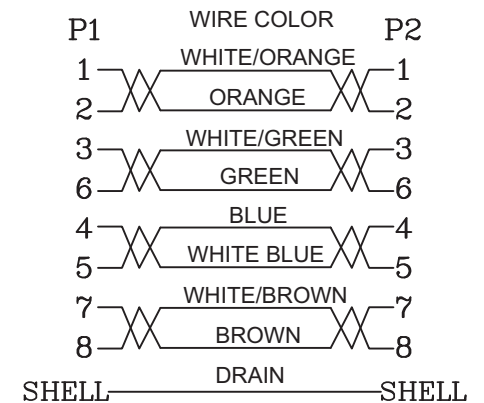
3. (P) Cable Type

- P = 0. UTP
- P = 1. SSTP

4. (G) Colour

- G = 1. Grey

WIRE CONNECTION



REMARK:

- 1.CABLE: CAT7 SSTP CABLE [1P*36AWG(7/0.05BC)+AL]*4+
Drain(7/0.12BC)+AL+BLACK TPE JACKET.OD:4.0±0.20MM.
2. CONN. : P1 P2 8P8C PLUG, SHORT BODY, PIN GOLD PLATED 1U"
3. ALL HOOD: MOLDED BLACK PVC .
- 4.PACKING: EACH CABLE IN POLY-BAG.

TOLERANCE				
INCHES	M/M	SCALE		
.X	.015	.30	UNIT	MM
.XX	.010	.10	SHEET	1/2
.XXX	.005	.05	DATE	17.10.30
DRAWN BY	Peter		DWG NO.	
CHECK BY			TITLE 8P8C PLUG/ 8P8C PLUG	
APPD BY			PART NO. 9608-XXX-P-G	