

SCSI-III D-SUB IDC FEMALE



8601 SERIES. 2.54 x 1.27 mm. (0.100 x 0.050") pitch.

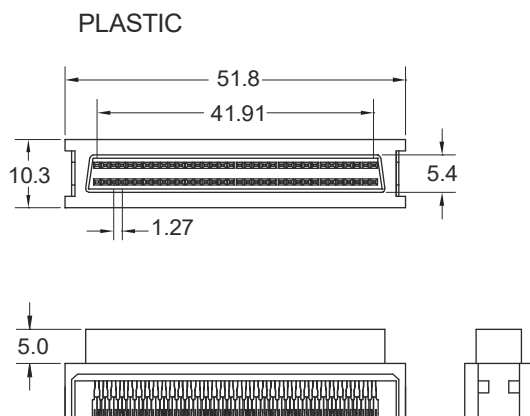
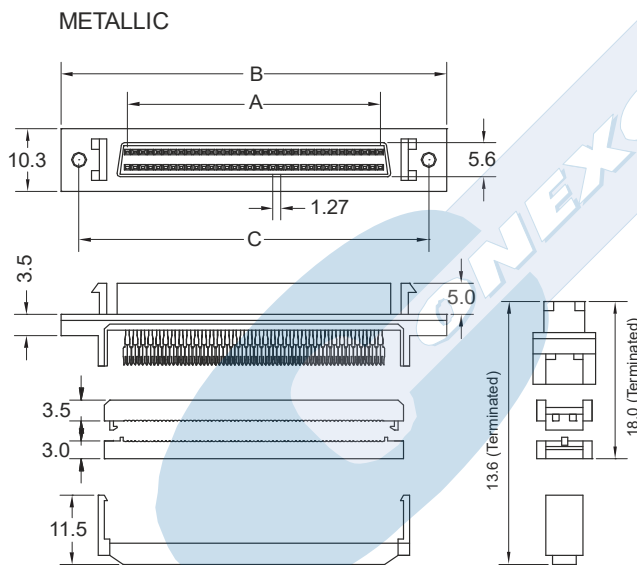
General Features

- Available in 50 and 68 circuits
- Mates with male connector SCSI-III 8600 series
- Wires range : 30 AWG
- Accept cable 0.635 mm pitch 9063 Series
- With strain relief

Materials

- Insulator: PBT, glass reinforced, rated UL 94V-0
- Contact: Phosphor Bronze
- Operating temperature. -40°C to +105°C
- RoHS compliant

Dimension Information

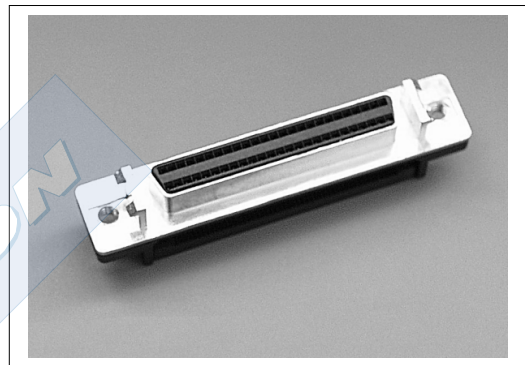


Electrical Features

- Voltage rating: < 250V
- Current rating: < 1 A
- Contact resistance: < 30 mΩ
- Dielectric withstanding Voltage: 500 V AC/minute
- Insulation resistance: >1000 MΩ

Mechanical features

- Durability: 50 cycles



Ordering Information:

8601 - T- XX- M
 1 2 3 4

1. Connector Series

2. (T) Contact Plating

- T = 2. Tin plated
- T = 3. Gold flash over nickel
Recommended Finish
- T = 5. 15μ" gold over nickel
- T = 6. 30μ" gold over nickel

3. (XX) Number of circuits

- Available in 50 and 68 circuits

4. (M) Material and connector options

- M = 1. Plastic whitout locking
- M = 2. Metallic whit positive locking
- M = 3. Metallic whitout positive locking

Dimensions: (In mm.)

$$A = 1.27 \left(\frac{XX}{2} - 1 \right) \quad B = 1.27 \left(\frac{XX}{2} \right) + 20.85 \quad C = 1.27 \left(\frac{XX}{2} \right) + 14.75$$

(XX) = Number of circuits