

# CRIMP SOLAR TERMINAL MC4



## 8528 / 8529 SERIES. MC4 Solar Terminals.

### General Features

- Accommodates wire range AWG 10 through 16
- Use in housing 8525 and 8526 series
- Male and female contact tin plated locking lance

### Materials

- Contact: Brass tin plated
- Operating temperature -40°C to +105°C

### Dimensional Information

### Electrical Features

- Current rating: < 15 A (1.50 mm<sup>2</sup>)  
< 22 A (2.50 mm<sup>2</sup>)  
< 30 A (4.00 mm<sup>2</sup>)  
< 45 A (6.00 mm<sup>2</sup>)
- Contact resistance: < 20 mΩ

### Mechanical Features

- Durability: 25 cycles



**8528 / 8529 - T- 00- E**

1

2

#### 1. Terminal Series

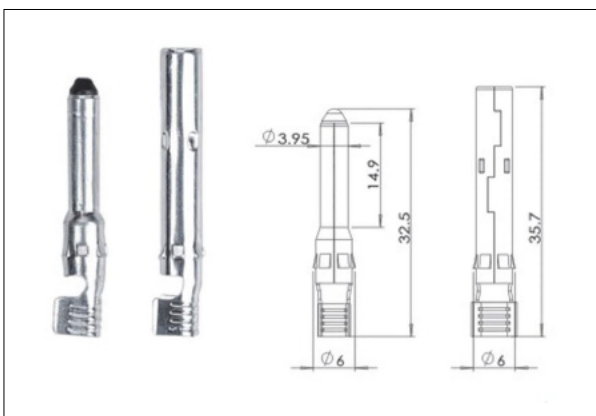
- **8528-2000** for 12 to 16 AWG (Male)
- **8528-2010** for 10 AWG (Male)
- **8529-2000** for 12 to 16 AWG (Female)
- **8529-2010** for 10 AWG (Female)

#### 2. (T) Contact Plating

- T = 2. Tin plated

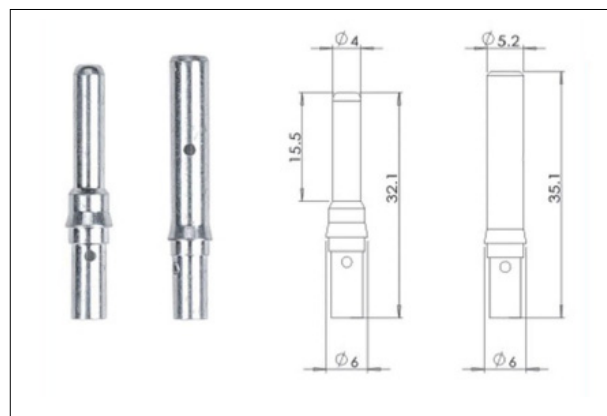
#### 2. (E) Packing Options

- E = 0. Chain
- E = 1. Loose Piece



**Current: 30 A**

- 8528-2000** for 12 to 16 AWG (Male)
- 8529-2000** for 12 to 16 AWG (Female)



**Current: 45 A**

- 8528-2010** for 10 AWG (Male)
- 8529-2010** for 10 AWG (Female)