

SOLAR CONNECTOR MC4 (1.000 V)



8526 SERIES. MC4 Connector IP67.

General Features

- Available in 1 circuits
- Allow wire to wire connections
- Polarised with positive locking
- IP 67
- Use crimp terminal 8528 and 8529
- Salt mist spray test, degree of severity 5: IEC 60068-2-52

Materials

- Insulator: PC/PV UL 94 V-0
- Operating temperature -40°C to +90°C
- RoHS compliant

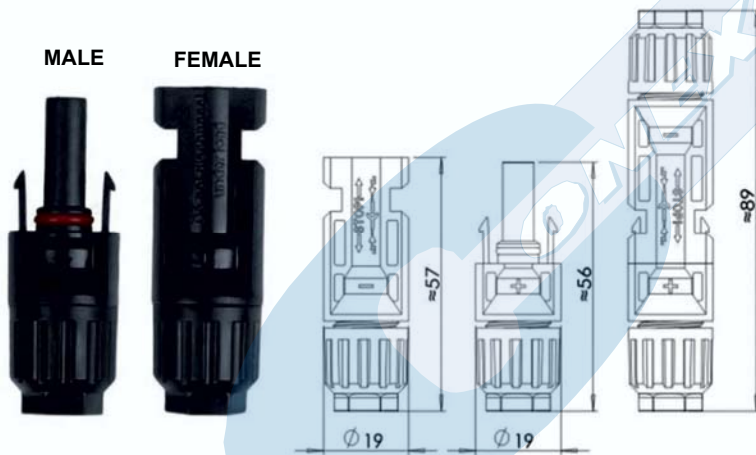
Dimensional Information

Electrical Features

- Voltage rating : < 1000 VDC(IEC)
- Current rating:
 - < 15 A (1.50 mm²)
 - < 22 A (2.50 mm²)
 - < 30 A (4.00 mm²)
 - < 45 A (6.00 mm²)
- Contact resistance: < 0.50 Ω
- Dielectric Withstanding Voltage: 6500 V AC/minute

Mechanical Features

- Durability: 25 cycles



Part Number:

8526 - G- 01- 1

1

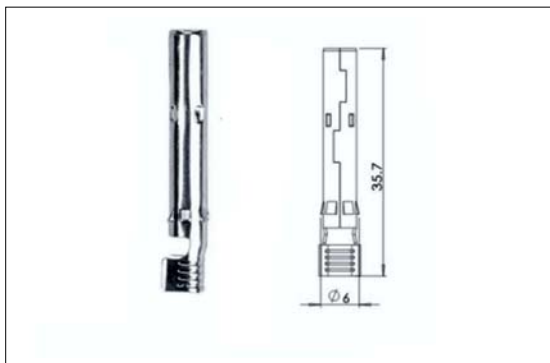
2

1. Serie

2. (G) Gender of connector

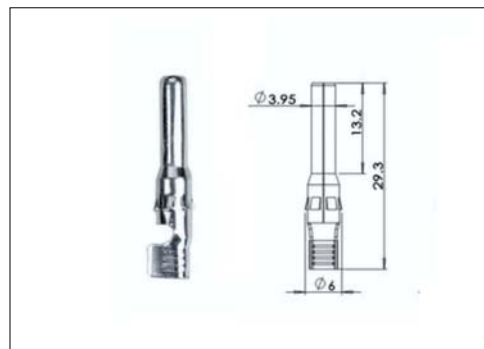
- G = 1. Male
- G = 2. Female

Terminals:



Female:

Serie: **8528-2000** (Mate with 8526-1011)



Male:

Serie: **8529-2000** (Mate with 8526-2011)