

# SOLAR CONNECTOR MC4 (1.500 V)



## 8525 SERIES. MC4 Connector IP67.

### General Features

- Available in 1 circuits
- Allow wire to wire connections
- Polarised with positive locking
- IP 67
- Use crimp terminal 8528 and 8529
- Salt mist spray test, degree of severity 5: IEC 60068-2-52

### Materials

- Insulator: PC/PV UL 94 V-0
- Operating temperature -40°C to +90°C
- RoHS compliant

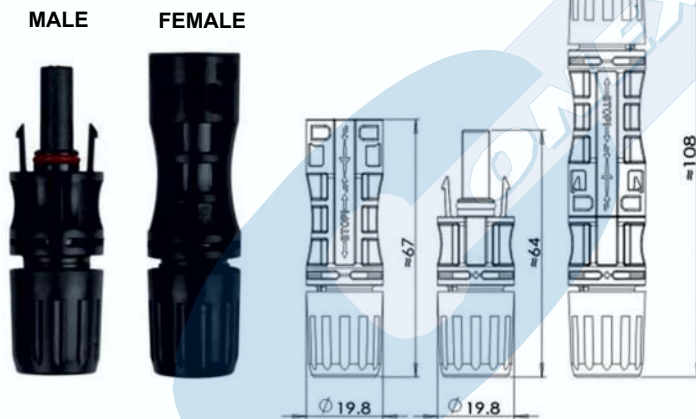
### Dimensional Information

### Electrical Features

- Voltage rating : < 1500 VDC (IEC)
- Current rating:
  - < 15 A (1.50 mm<sup>2</sup>)
  - < 22 A (2.50 mm<sup>2</sup>)
  - < 30 A (4.00 mm<sup>2</sup>)
  - < 45 A (6.00 mm<sup>2</sup>)
- Contact resistance: < 0.50 Ω
- Dielectric Withstanding Voltage: 6500 V AC/minute

### Mechanical Features

- Durability: 25 cycles



Part Number:

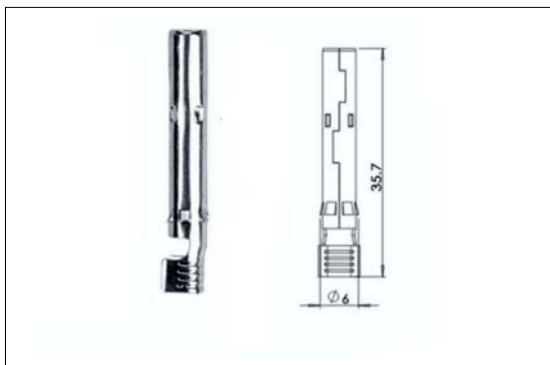
**8525 - G- 01- 1**  
 1                      2

1. Serie

2. (G) Gender of connector

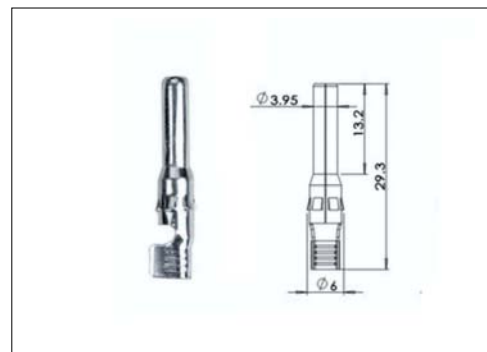
- G = 1. Male
- G = 2. Female

### Terminals:



### Female:

Serie: **8528-2000** ( Mate with 8525-1011)



### Male:

Serie: **8529-2000** ( Mate with 8525-2011)