

# PLCC SOCKET SMT



## 8111 SERIES. PLCC Socket.

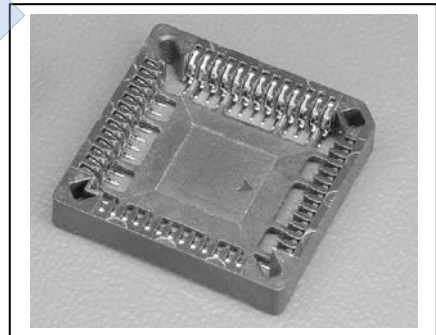
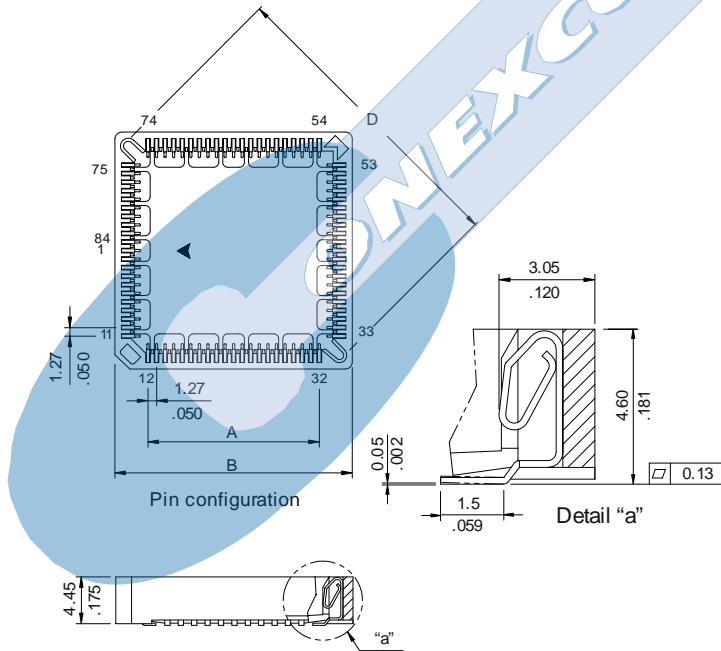
### General Features

- Available in 20, 28, 32, 44, 52, 68 and 84 circuits
- Contact area: flex contact tin plating over 50 μ nickel
- Solder area: tin plating over 50 μ nickel
- Prevents damage from IC device through a fully shrouded carrier
- Low profile

### Materials

- Insulator: PPS UL 94 V-0
- Contact: Phosphor Bronze
- Operating temperature: -25°C to +85°C
- RoHS compliant

### Dimensional Information



## 8111 - T- XX- 1

1 2 3 4

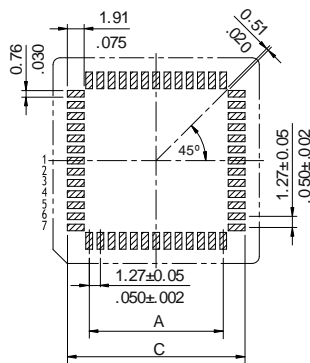
### 1. Series

### 2. Plating Options

- T = 2. Tin plated  
Recommended Finish

### 3. Number of circuits

- Available in 20 through 84 circuits



SOLDER PAD PATTERN

CIRCUITS	DIMENSIONS			
	A	B	C	D
20	5.08 (.200)	15.66 (.617)	10.03 (.395)	17.28 (.680)
28	7.62 (.300)	18.20 (.717)	12.57 (.495)	20.87 (.822)
32	10.16 (.400)	20.70 (.815)	15.11 (.595)	22.80 (.898)
44	12.70 (.500)	23.28 (.917)	17.65 (.695)	28.10 (1.106)
52	15.24 (.600)	25.82 (1.017)	20.19 (.795)	31.65 (1.246)
68	20.32 (.800)	30.90 (1.217)	25.27 (.995)	38.85 (1.530)
84	25.40 (1.000)	35.98 (1.417)	30.35 (1.195)	46.50 (1.831)