

CENTRONIC IDC SOCKET CONNECTOR



8061 SERIES. Insulator displacement.

General Features

- Available in 36 and 50 ways
- Mates with standard centronic plug connectors
- Wire ranges: 28 AWG O. D max. 0.85 mm.
- Accept cable 1.27 mm. pitch 9127 series
- With strain relief and mounting clip

Materials

- Insulator: Glass-Filled Thermoplastic PBT, UL94V-0 rated
- Contact: Brass
- Shell: Steel, 100 μ" tin over 50 μ" min. cooper
- Operating temperature: -25°C to +85°C
- RoHS compliant

Dimension Information



Circuits	Part Number	Dimensions			
		A	B	C	D
36	8061 – T36C	59.74 (2.352)	67.60 (2.661)	48.70 (1.917)	51.00 (2.008)
50	8061 – T50C	74.85 (2.947)	82.80 (3.260)	64.10 (2.524)	68.90 (2.713)

Electrical Features

- Voltage rating: < 250 V
- Current rating: < 1 A
- Contact resistance: < 20 mΩ
- Dielectric withstanding Voltage: 500 V AC/minute
- Insulation resistance: >1000 MΩ

Mechanical Features

- Insertion force per connector: < 4.50 Kgf
- Withdrawal force per connector: > 3.10 Kgf
- Durability: 500 Cycles

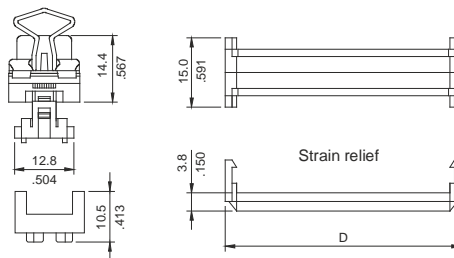
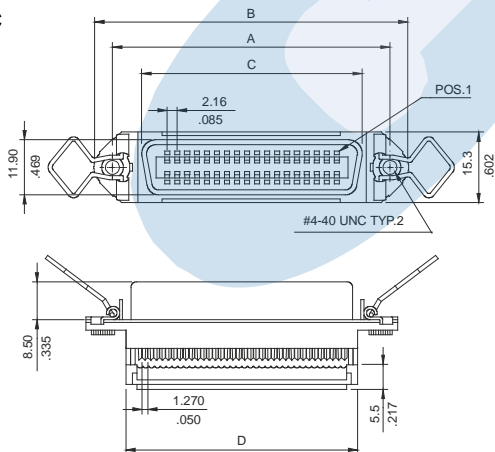
T = Contact Plating

- T = 3. Gold flash over 50μ" nickel.
- T = 4. 10μ" gold over 50μ" nickel
- T = 5. 15μ" gold over 50μ" nickel
- T = 6. 30μ" gold over 50μ" nickel

C = Shell material options

- C = 1. Plastic
- C = 2. Metallic

PLASTIC



METALLIC

