

# D-SUB PLASTIC HOOD



## 8030 SERIES. D-Sub hood.

### General Features

- Available in 9(15), 15(26), 25(44), 37(62) and 50(78) ways D-Sub(D-Sub HD)
- Use in D sub 8000, 8001, 8002 and 8003 series and D sub HD 8070, 8071, 8072 and 8073 series
- With different colours (contact sales Office)
- Long and short screw
- Optional: Long screw 8037 series

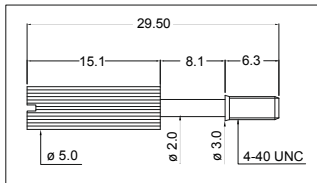
### Materials

- Insulator: ABS thermoplastic PBT, UL94V-0 rated
- Screwlock : Steel, 100 Nickel Plated
- Operating temperature. -25°C to +85°C
- RoHS compliant

### Dimension Information

Loose screw:

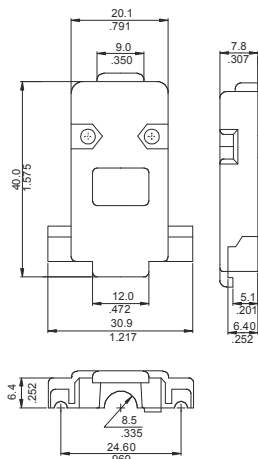
8037 - 0001



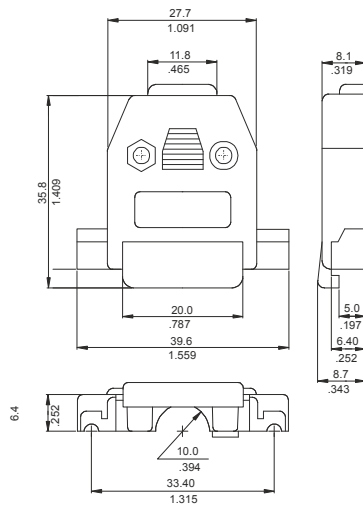
Circuits in D-SUB	Circuits in D-SUB High Density	Plastic Cover		Metalized Cover	Die Cast Cover
		Short Screw	Long Screw		
9	15	8030 - 2091	8030 - 3091	8030 - 2092	8030 - 2093
15	26	8030 - 2151	8030 - 3151	8030 - 2152	8030 - 2153
19	-	8030 - 2191	8030 - 3191	8030 - 2192	-
23	-	8030 - 2231	8030 - 3231	8030 - 2232	-
25	44	8030 - 2251	8030 - 3251	8030 - 2252	8030 - 2253
37	62	8030 - 2371	8030 - 3371	8030 - 2372	-
50	78	8030 - 2501	8030 - 3501	8030 - 2502	-

Optional: Black color (Add N to the end of the part number)

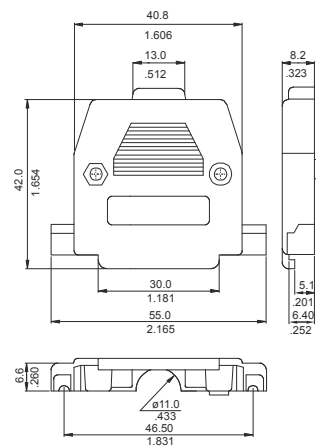
8030 - 2091 / 2



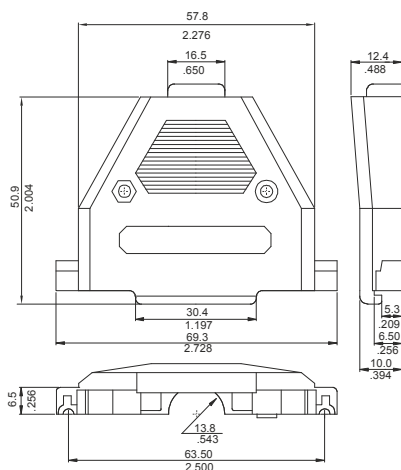
8030 - 2151 / 2



8030 - 2251 / 2



8030 - 2371 / 2



8030 - 2501 / 2

