

# SIDE ENTRY SHIELDED SMT JACK FCC-68



## 7664 SERIES. Right angle PCB jack.

### General Features

- Available in 6/4, 6/6, 8/8 and 10/10 circuits
- Standard telephone jack FCC-68
- Low profile: 11.75 mm.
- Accept standard plugs FCC-68 type
- Selective gold plating with different plating
- Bifurcated plastic foot print

### Materials

- Insulator: Thermoplastic UL 94V-0
- Contact: 0.35 mm. Thickness in phosphor bronze
- Operating temperature. -25°C to + 85°C
- Shielded: 0.25 mm thickness brass
- RoHS compliant

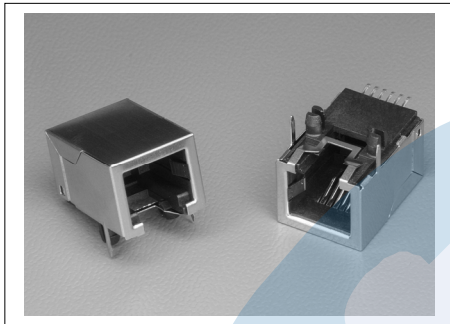
### Dimensional Information

### Electrical Features

- Voltage rating: < 125V
- Current rating: < 1.50 A
- Contact resistance: < 20 mΩ
- Dielectric withstanding voltage: 300 V AC/minute
- Insulation resistance: >1000 MΩ

### Mechanical Features

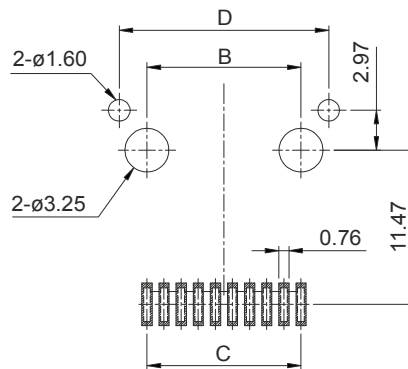
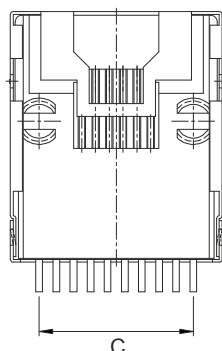
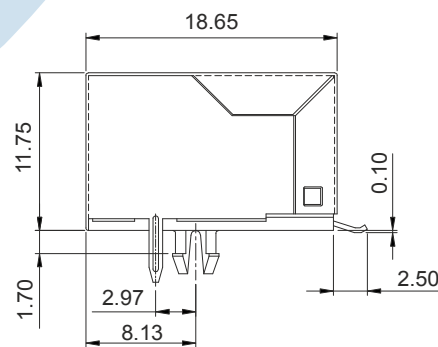
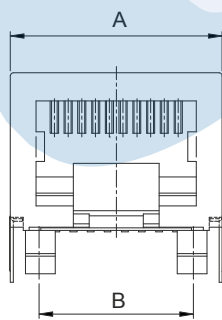
- Durability: 1000 cycles



Circuits	Part Number	Dimensions			
		A	B	C	D
6/4	7664 – T641	13.56 (0.534)	10.16 (0.400)	6.35 (0.250)	13.57 (0.534)
6/6	7664 – T661	13.56 (0.534)	10.16 (0.400)	6.35 (0.250)	13.57 (0.534)
8/8	7664 – T881	15.74 (0.620)	11.43 (0.450)	8.89 (0.350)	15.54 (0.612)
10/10	7664 – T101	15.74 (0.620)	11.43 (0.450)	11.43 (0.450)	15.54 (0.612)

### T = Contact Plating

- T = 4. 6μ" gold over 50μ" nickel
- T = 5. 15μ" gold over 50μ" nickel
- T = 6. 30μ" gold over 50μ" nickel
- T = 7. 50μ" gold over 50μ" nickel



RECOMMENDED PCB LAYOUT