

SIDE ENTRY MULTI PORT PCB JACK FCC-68



7651 SERIES. Shielded right angle PCB jack. Dual Level.

General Features

- Available in 8/8 circuits
- Standard telephone jack FCC-68
- Available in 2, 4, 8, 12 and 16 ports
- 25.30 mm. height
- Accept standard plugs FCC-68
- Selective gold with different plating
- Bifurcated plastic foot print
- With / without grounding tabs

Materials

- Insulator: Thermoplastic UL 94V-0
- Contact: 0.35 mm round in phosphor bronze
- Operating temperature. -25°C to + 85°C
- RoHS compliant

Dimensional Information

T = Plating Options

- T = 4. 6μ" gold over nickel
- T = 5. 15μ" gold over nickel
- T = 6. 30μ" gold over nickel
- T = 7. 50μ" gold over nickel

Electrical Features

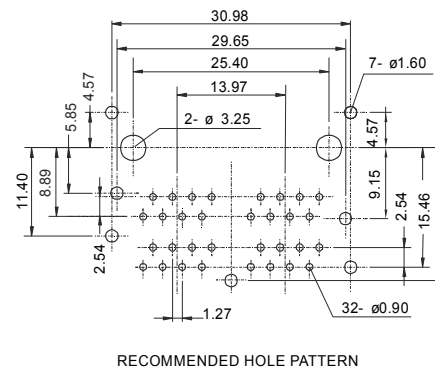
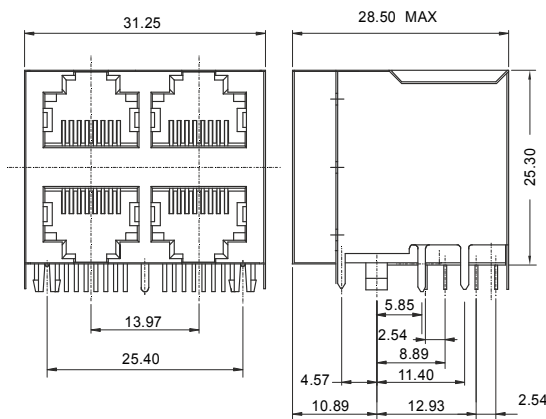
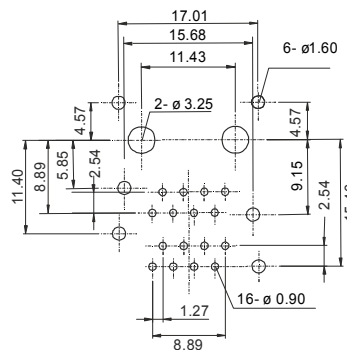
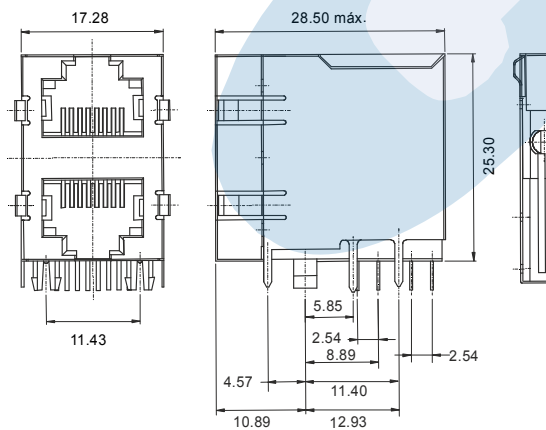
- Voltage rating: < 125V
- Current rating: < 1.50 A
- Contact resistance: < 20 mΩ
- Dielectric withstanding voltage: 300 V AC/minute
- Insulation resistance: >1000 MΩ

Mechanical Features

- Durability: 1000 cycles

Ports	Version 8/8		Version 6/6	
	W/O Grounding Tabs	With Grounding Tabs	W/O Grounding Tabs	With Grounding Tabs
2	7651 - T021	7651 - T022	7651 - T025	7651 - T026
4	7651 - T041	7651 - T042	7651 - T045	7651 - T046
8	7651 - T081	7651 - T082	7651 - T085	7651 - T086
12	7651 - T121	7651 - T122	7651 - T125	7651 - T126
16	7651 - T161	7651 - T162	7651 - T165	7651 - T166

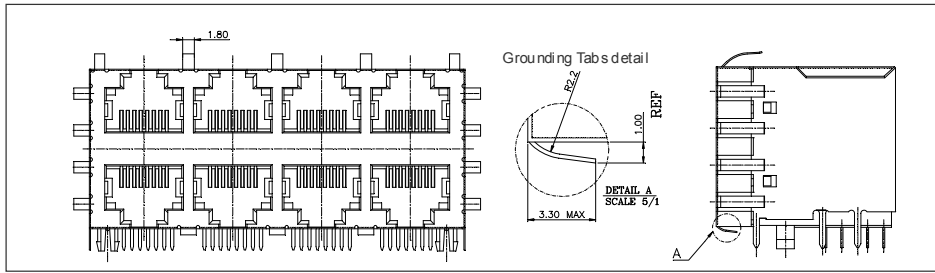
*Grounding tabs dimensions and details in page 2



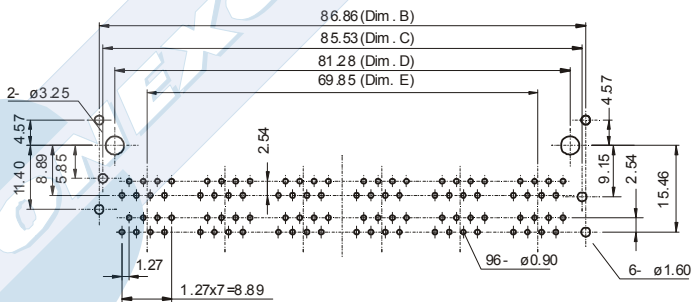
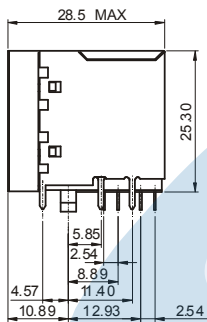
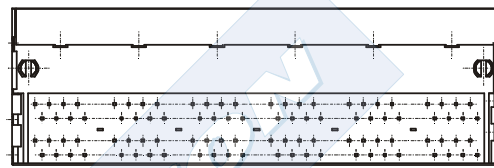
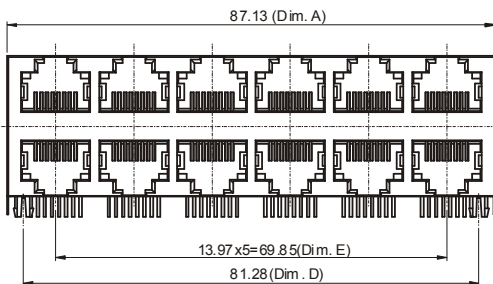
SIDE ENTRY MULTI PORT PCB JACK FCC-68



7651 SERIES. Shielded right angle PCB jack. Dual Level.



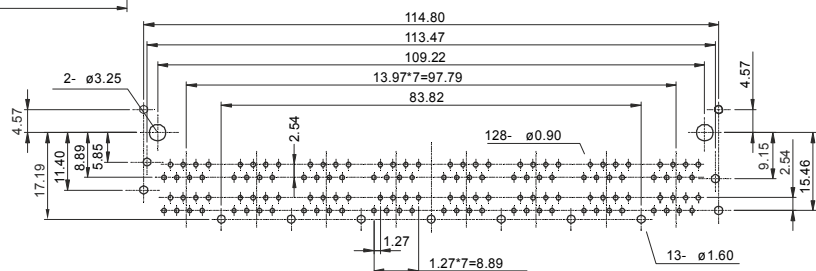
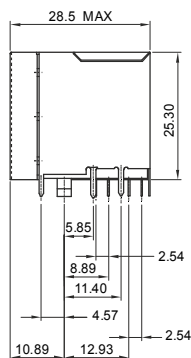
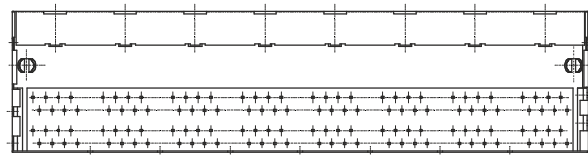
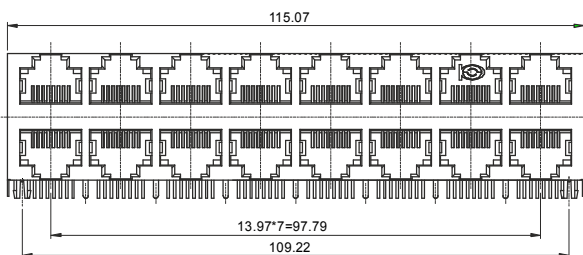
6, 8 and 12 Ports



RECOMMENDED HOLE PATTERN

Ports	Dimensions				
	A	B	C	D	E
6	45.22(1.780)	44.95(1.770)	43.62(1.717)	39.37(1.550)	27.94(1.100)
8	59.19(2.331)	58.92(2.320)	57.59(2.268)	53.34(2.100)	41.91(1.650)
12	87.13(3.430)	86.86(3.420)	85.53(3.368)	81.28(3.200)	69.85(2.750)

16 Ports



RECOMMENDED HOLE PATTERN