

SIDE ENTRY SMT JACK FCC-68



7644 SERIES. Right angle PCB jack.

General Features

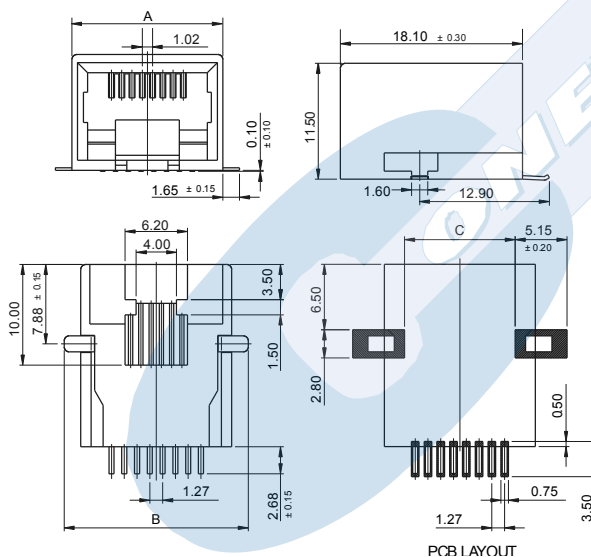
- Available in 4/4, 6/4, 6/6, 8/8 and 10/10 circuits
- Standard telephone jack FCC-68
- Low profile: 11.50 mm. height
- Accept standard plugs FCC-68 type
- Selective gold plating with different finish
- Metallic SMT foot print or through hole available

Materials

- Insulator: Thermoplastic UL 94V-0
- Contact: 0.35 x 0.45 mm. in phosphor bronze
- Operating temperature. -25°C to + 85°C
- RoHS compliant

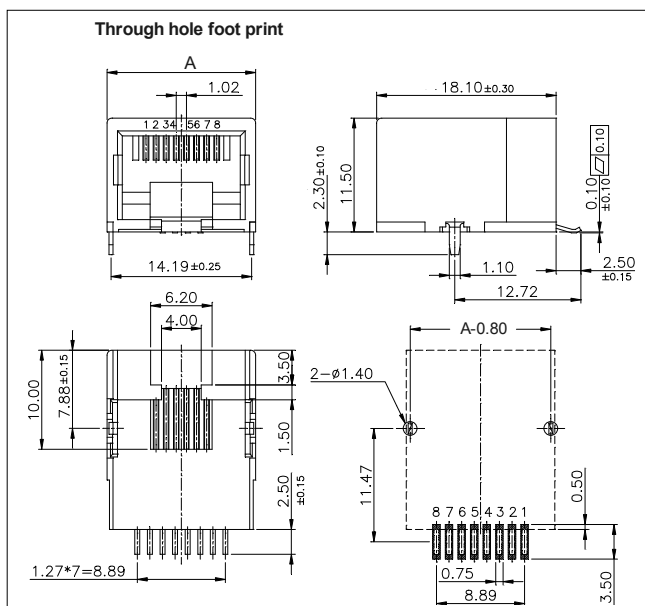
Dimensional Information

SMT Foot Print



PCB LAYOUT

Through hole foot print



Electrical Features

- Voltage rating: < 125V
- Current rating: < 1.50 A
- Contact resistance: < 20 mΩ
- Dielectric withstanding voltage: 300 V AC/minute
- Insulation resistance: >1000 MΩ

Mechanical Features

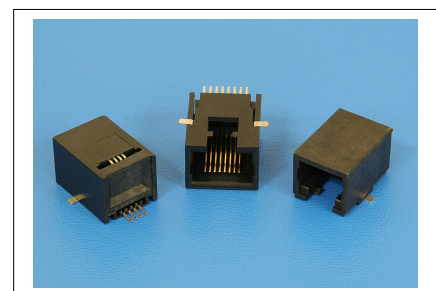
- Durability: 1000 cycles

Circuit Size	Part Number	
	SMT Foot Print	Through Hole
4/4	7644-T441*	7644-T445*
6/4	7644-T641*	7644-T645*
6/6	7644-T661*	7644-T665*
8/8	7644-T881*	7644-T885*
10/10	7644-T101*	7644-T105*

* For Reel Packing:
Add R at the end of Part Number

T = Contact Plating

- T = 4. 6μ" gold over 50μ" nickel
- T = 5. 15μ" gold over 50μ" nickel
- T = 6. 30μ" gold over 50μ" nickel
- T = 7. 50μ" gold over 50μ" nickel



Circuits	DIMENSIONS		
	A	B* (SMD)	C* (SMD)
4/4	11.20	14.50	7.00
6/4	13.00	16.30	9.00
6/6	13.00	16.30	9.00
8/8	15.00	18.30	11.00
10/10	15.00	18.30	11.00

*Dimensions B and C are only for SMT Connectors