

S/ ENTRY SMT SHIELDED PCB JACK FCC-68



7571 SERIES. Right Angle Shielded PCB jack.

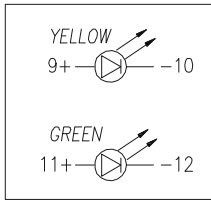
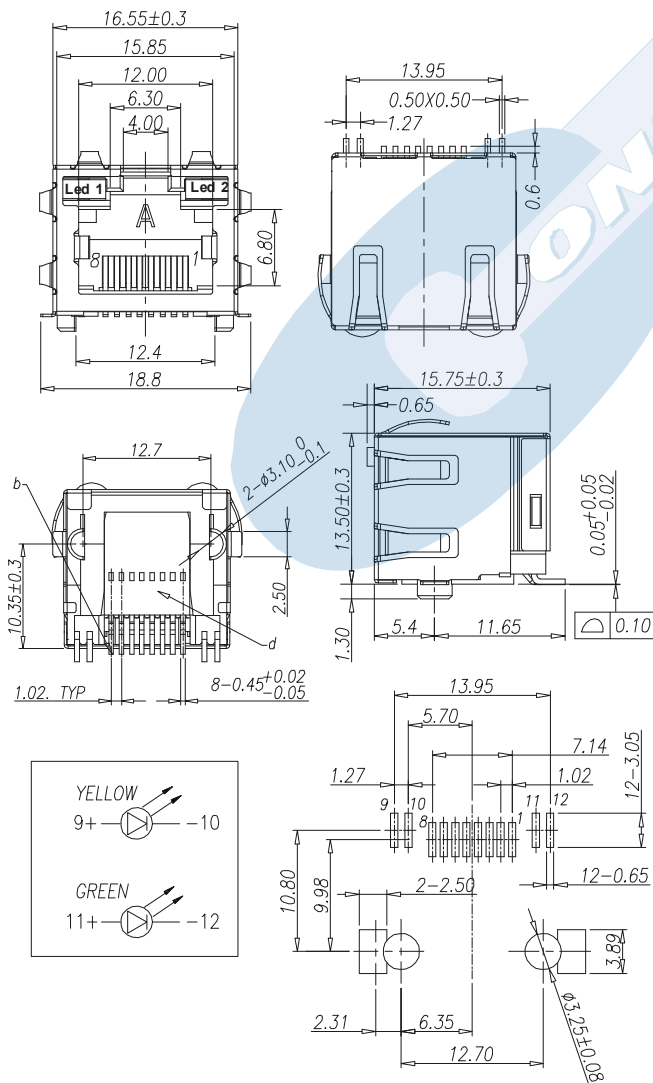
General Features

- Available in 8/8 circuits
- Standard telephone jack FCC-68
- Low profile 13.50 mm. height
- Accept standard plugs FCC-68
- Selective gold plating with different plating
- SMT metallic foot print and plastic foot print through hole

Materials

- Insulator: Glass filled polyester UL 94V-0
- Contact: 0.35 x 0.45 mm. in phosphor bronze
- Shielded: 0.25 mm thickness brass
- Operating temperature. -40°C to + 80°C
- RoHS compliant

Dimensional Information



RECOMMEND PCB LAYOUT
 PCB THICKNESS: 1.60mm.
 Jack Top View
 PCB LAUOUT TOLERANCE: ±0.05mm.

Electrical Features

- Voltage rating: < 125V
- Current rating: < 1.50 A
- Contact resistance: < 30 mΩ
- Dielectric withstanding voltage: 500 V AC/minute
- Insulation resistance: >500 MΩ

Mechanical Features

- Withdrawal force: >1Kgf
- Insertion force to jack: < 3.5 Kgf
- Durability: 750 cycles

Ordering Information:

7571 - **T** - **88** - **L** **F** **E**
 1 2 3 4 5

1. Connector Series

2. (T) Contact Plating

- T = 5. 15μ" gold over nickel (Recommended Finish)

3. (L) Led Configuration

- L = 0. Without Led
- L = 1. Led 1 Green / Led 2 Yellow
- L = 2. Led 1 Yellow / Led 2 Green
- L = 3. Led 1 Green / Led 2 Green
- L = 4. Led 1 Yellow / Led 2 Yellow

4. (F) Fixing Options

- F = 1. With grounding tabs
- F = 2. Without grounding tabs

6. (E) Packing Options

- E = 2. Reel + Pad

