

SINGLE ROW VERICAL PIN HEADER



7556 SERIES. 5.00 mm (0.197") pitch.

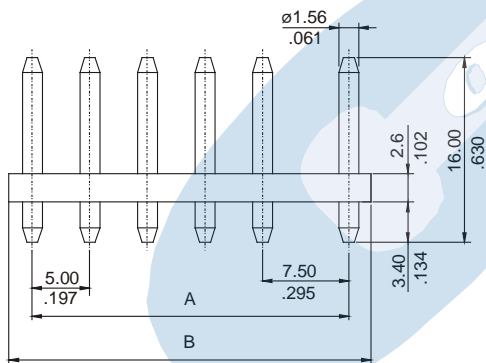
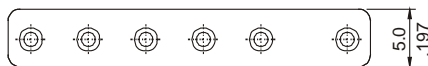
General Features

- Available in 2 through 6 circuits
- Mates with wire housing 7555 Series
- 1.56 mm. round pin

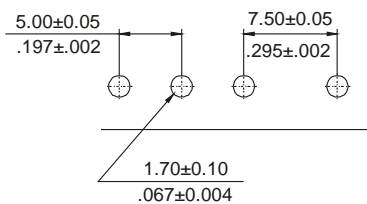
Materials

- Insulator: Glass filled polyester UL 94 V-0
- Contact: Brass
- Operating temperature: -40°C to +85°C
- RoHS compliant

Dimension Information



MECANIZADO RECOMENDADO

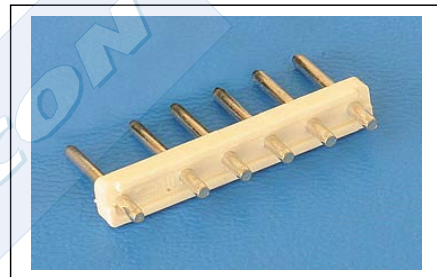


Electrical Features

- Voltage rating: < 250V
- Current rating: < 5 A
- Contact resistance: < 20 mΩ
- Dielectric withstanding voltage: 1500 V AC/minute
- Insulation resistance: >1000 MΩ

Mechanical Features

- Pin retention force to insulator: > 1.50 Kgf
- Durability: 25 cycles



Ordering Information:

7556 - T- XX- 1
1 2 3

1. Connector Series

2. (T) Contact Plating

- T = 2. Tin plated
Recommended Finish

3. (XX) Number of circuits

- Available in 2 through 6 circuits

Dimensions: (In mm.)

A = 5.00 x (XX*-2)+7.50

B = 5.00 x (XX*)+1.50

* XX (Number of circuits)