

MINI DIN SOLDER SOCKET CONNECTOR



7001 SERIES. Mini DIN Socket Connector.

General Features

- Available in 3, 4, 5, 6, 7, 8 and 9 circuits
- Contact area: selective silver plating over nickel
- Solder area: tin plating over nickel

Materials

- Contact: Brass silver plating
- Metal shell : Brass nickel plated
- Cover: PE
- Operating temperature: -25°C to +85°C
- RoHS compliant

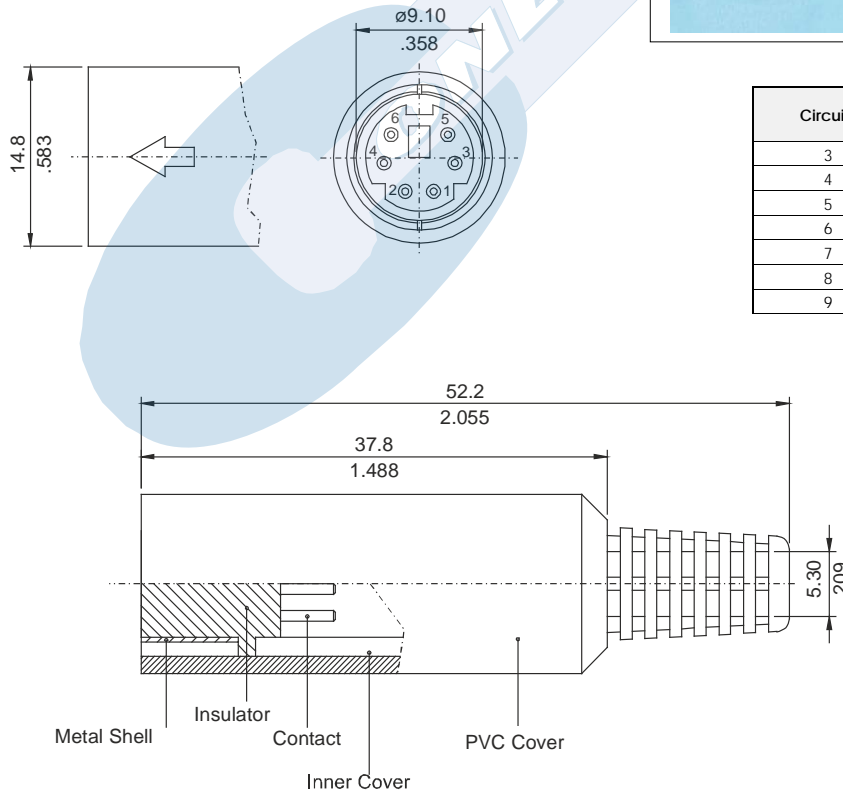
Dimensions

Electrical Features

- Voltaje máximo 100 V
- Current rating: < 1 A
- Contact resistance: < 20 mΩ
- Dielectric withstanding voltage: 500 V AC/minute
- Insulation resistance: > 50 MΩ

Mechanical Features

- Durability: 100 cycles



Circuits	Part Number
3	7001 - 2031
4	7001 - 2041
5	7001 - 2051
6	7001 - 2061
7	7001 - 2071
8	7001 - 2081
9	7001 - 2091

Circuits	3	4	5	6	7	8	9
Arrangement of contact							