

# MODULAR COUPLER JACK FCC-68



## 6896 SERIES. Modular coupler jack.

### General Features

- Available in 6/4, 6/6, 8/8 and 10/10 circuits
- Standard telephone jack FCC-68
- Coupler jack: 1 to 1, 2 to 2, ... 7 to 7 and 8 to 8
- Available with different colours
- Selective gold plating with different finish
- With / Without shielding

### Materials

- Insulator: Thermoplastic UL 94V-0
- Contact: 0.40 mm thickness phosphor bronze
- Shielded: 0.25 mm thickness brass
- Operating temperature: -25°C to + 85°C
- RoHS compliant

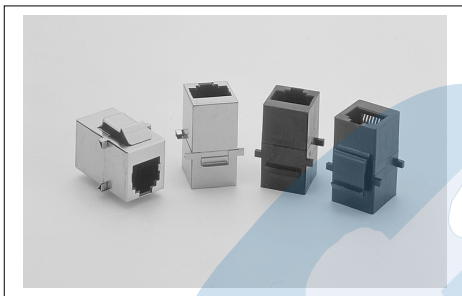
### Dimensional Information

### Electrical Features

- Voltage rating: < 125V
- Current rating: < 1.50 A
- Contact resistance: < 20 mΩ
- Dielectric withstanding voltage: 300 V AC/minute
- Insulation resistance: >1000 MΩ

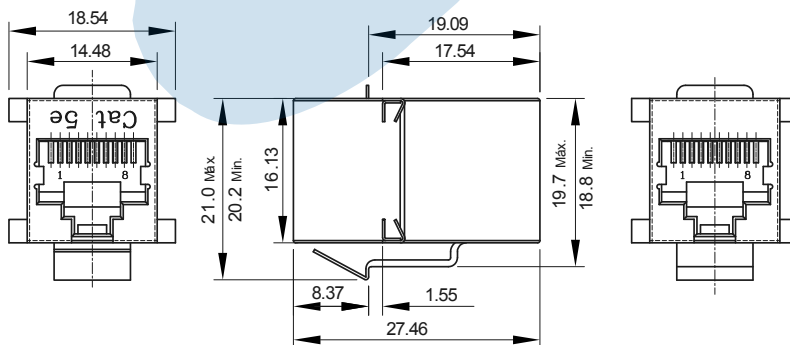
### Mechanical Features

- Durability: 750 cycles



Circuits	OPTIONS	
	Unshielded	Shielded
6/4	6896 – 5641	6896 – 5642
6/6	6896 – 5661	6896 – 5662
8/8	6896 – 5881	6896 – 5882
8/8 (Cat. 5e)	6896 – 6883	6896 – 6885
10/10	6896 – 5101	6896 – 5102

#### SHIELDED



#### UNSHIELDED

