

ROHS Compliant

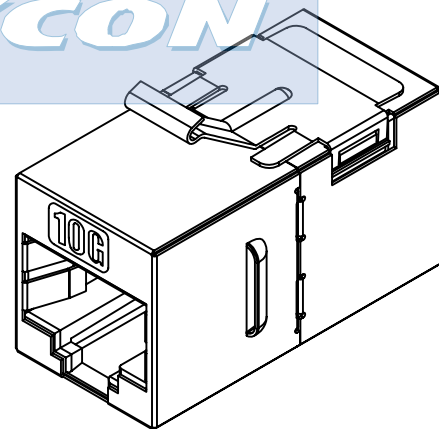
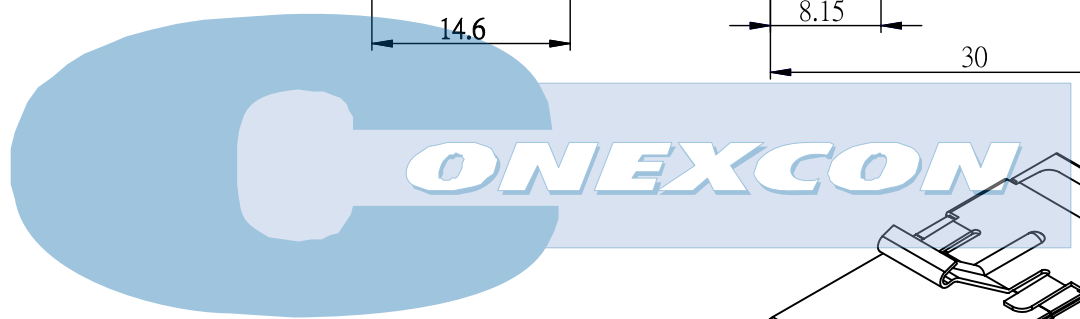
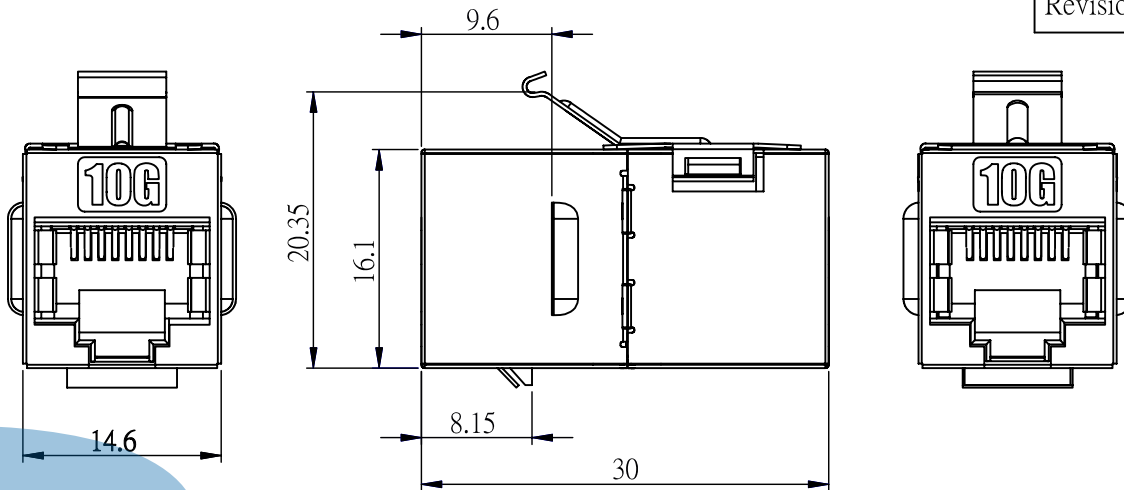
Date	2010/09/10
Revision	A

Features :

- RJ45 complies with FCC part 68 standard
- Jack insertion life >750 mating cycles
- Operating temperature : -40°C~+60°C

Electrical :

- Contact resistance : 20m ohm
- DC Current rating : 1.5Amps
- DC resistance : Max. 0.1 ohm
- Insulation Resistance : 500m ohm
- Dielectric withstanding voltage : 1000V



TOLERANCE	
.XXXX	----
.XXX	0.10
.XX	0.25
.X	0.38

TECHNICAL DATA

CATEGORY	<input type="checkbox"/> CAT.5E <input type="checkbox"/> CAT.6 <input type="checkbox"/> CAT.3 <input checked="" type="checkbox"/> OTHER <u>CAT.6A</u>
HOUSING	ABS UL94V-0
CONTACT	0.46 mm DIAMETER PHOSPHOR BRONZE GOLD PLATED OVER NICKEL
GOLD-PLATING	<input type="checkbox"/> 0.0762 um / 3u inch <input type="checkbox"/> 0.15 um / 6u inch <input type="checkbox"/> 0.38 um / 15u inch <input type="checkbox"/> 0.76 um / 30u inch <input checked="" type="checkbox"/> 1.27 um / 50u inch
COLOR	<input type="checkbox"/> WHITE <input type="checkbox"/> BLACK <input type="checkbox"/> GREEN <input type="checkbox"/> BLUE <input type="checkbox"/> YELLOW <input type="checkbox"/> RED <input type="checkbox"/> ORANGE <input type="checkbox"/> IVORY <input type="checkbox"/> OTHER _____
TYPE OF PRODUCT	<input type="checkbox"/> UNSHIELD <input checked="" type="checkbox"/> SHIELD : 0.25mm THICKNESS COPPER ALLOY WITH NICKLE PLATED

P/ NUMBER: **6893-7882**

ITEM. Coupler	CO. SY	
DR. Breaker2010/09/10	APPD.	CHKD.



SCALE /	
UNIT mm	SIZE A4

REV.	DESCRIPTION	ENG.	APPROVAL
------	-------------	------	----------