

KEYSTONE JACK CAT 6 FCC-68



6881 SERIES. For panel Mounting.

General Features

- Available in 8/8 circuits
- IEEE 802.3ab Gigabit ethernet verified
- IDT termination for solid wire 22 to 26 AWG
- Accept standard plugs FCC-68
- 50 μ selective gold plating in contact area
- Panel mounting
- With/without cable tie

Materials

- Insulator: Thermoplastic UL 94V-0
- Contact: 0.40 mm thickness phosphor bronze
- Operating temperature: -25°C to + 85°C
- RoHS compliant

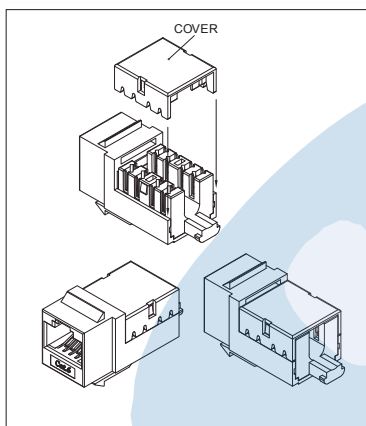
Dimensional Information

Electrical Features

- Voltage rating: < 125V
- Current rating: < 1.50 A
- Contact resistance: < 20 mΩ
- Dielectric withstanding voltage: 300 V AC/minute
- Insulation resistance: >1000 MΩ

Mechanical Features

- Durability: 1500 cycles



Circuit Size	Part Number	
	With Cable Tie	W/O Cable Tie
8/8	6881- 7881	6881- 7882

