

TELEPHONE PLUGS FCC-68



6866 SERIES. 6 and 8 contacts modular plugs.

General Features

- Available in 6/2, 6/4, 6/6 and 8/8 circuits
- Standard telephone plug 6 circuits FCC-68
- Use cable 9102 series
- Insulation piercing termination
- 3 types of contacts: 2 prongs for stranded wire, 2 prongs for solid wire and 3 prongs for solid wire

Materials

- Insulator: Polycarbonate UL 94V-2
- Contact: Phosphor Bronze
- Operating temperature: -25°C to +85°C
- RoHS compliant

Dimension Information

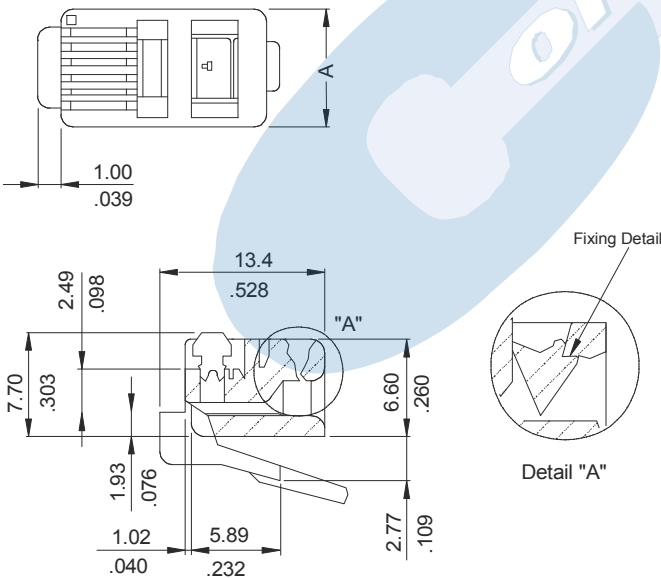
Circuits	Without Shielded			With Shielded			DIMENSIONS A
	Type A	Type B	Type C	Type A	Type B	Type C	
6/2	6866 – T621	6866 – T625	-	6866 – T623	6866 – T627	-	9.65 (0.300)
6/4	6866 – T641	6866 – T645	6866 – T640	6866 – T643	6866 – T647	6866 – T649	9.65 (0.300)
6/6	6866 – T661	6866 – T665	6866 – T660	6866 – T663	6866 – T667	6866 – T669	9.65 (0.300)
8/8	6866 – T881	6866 – T885	-	6866 – T883	6866 – T887	-	11.68 (0.460)

Electrical Features

- Voltage rating: < 125V
- Current rating: < 1.50 A
- Contact resistance: < 20 mΩ
- Dielectric withstanding voltage: 300 V AC/minute
- Insulation resistance: >1000 MΩ
-

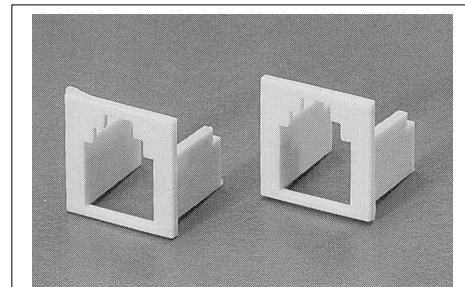
Mechanical Features

- Cable to plug tensile strength: > 6.20 Kg
- Insertion force to jack: < 2.00 Kg
- Withdrawal force from jack bar depressed: < 2.00 Kg
- Durability: 1000 cycles



T = Plating Options

- T = 4. 6μ" gold over nickel
- T = 5. 15μ" gold over nickel
- T = 6. 30μ" gold over nickel
- T = 7. 50μ" gold over nickel



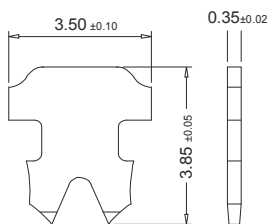
Adaptor Frame 6 to 4 circuits

P/ Number: **6866 – 6844**

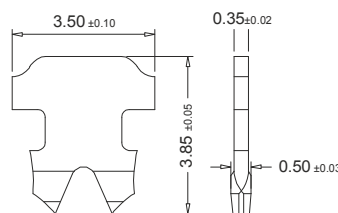
Adaptor Frame 8 to 6 circuits

P/ Number: **6888 – 6866**

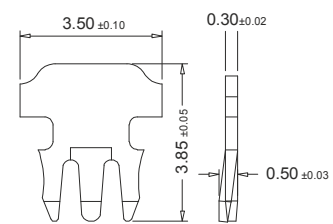
*Contact detailll



Type A
2 Prongs For Stranded Wire



Type B
2 Prongs For solid Wire



Type C
3 Prongs For solid Wire