

# TELEPHONE PLUGS FCC-68 4 CONTACTS



## 6844 SERIES. 4 circuits modular plugs.

### General Features

- Available in 4/2 and 4/4 circuits
- Standard telephone plug 4 circuits FCC-68
- Use cable 9102 series
- Insulation piercing termination
- 2 prongs for stranded wire

### Materials

- Insulator: Polycarbonate UL 94V-2
- Contact: Phosphor Bronze
- Operating temperature: -25°C to +85°C
- RoHS compliant

### Dimension Information

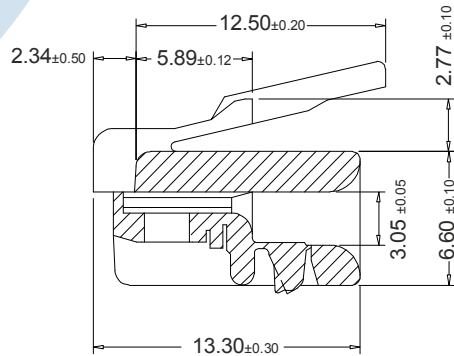
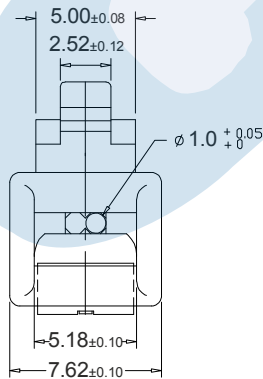
### Electrical Features

- Voltage rating: < 125V
- Current rating: < 1.50 A
- Contact resistance: < 20 mΩ
- Dielectric withstanding voltage: 300 V AC/minute
- Insulation resistance: >1000 MΩ

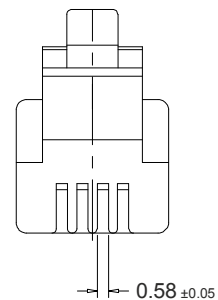
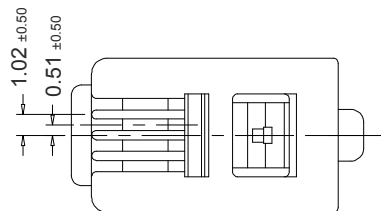
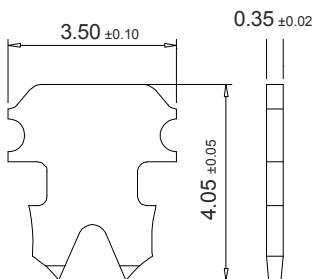
### Mechanical Features

- Cable to plug tensile strength: > 6.20 Kg
- Insertion force to jack: < 2.00 Kg
- Withdrawal force from jack bar depressed: < 2.00 Kg
- Durability: 1000 cycles

Circuits	Part Number			
	6 μ"	15 μ"	30 μ"	50 μ"
4/2	6844 - 4421	6844 - 5421	6844 - 6421	6844 - 7422
4/4	6844 - 4441	6844 - 5441	6844 - 6441	6844 - 7441



\*Contact detail



2 Prongs For stranded wire