

# SIDE ENTRY PCB JACK DEC TYPE



## 6822 SERIES. Right angle PCB jack.

### General Features

- Available in 6/4 and 6/6 circuits
- Standard telephone jack DEC type
- 16.00 mm. height
- Accept standard plugs DEC type 6867 series
- Selective gold plating with different plating
- Bifurcated plastic foot print

### Materials

- Insulator: Thermoplastic UL 94V-0
- Contact: 0.35 mm. round in phosphor bronze
- Operating temperature. -25°C to + 85°C
- RoHS compliant

### Dimensional Information



### Electrical Features

- Voltage rating: < 125V
- Current rating: < 1.50 A
- Contact resistance: < 20 mΩ
- Dielectric withstanding voltage: 300 V AC/minute
- Insulation resistance: >1000 MΩ

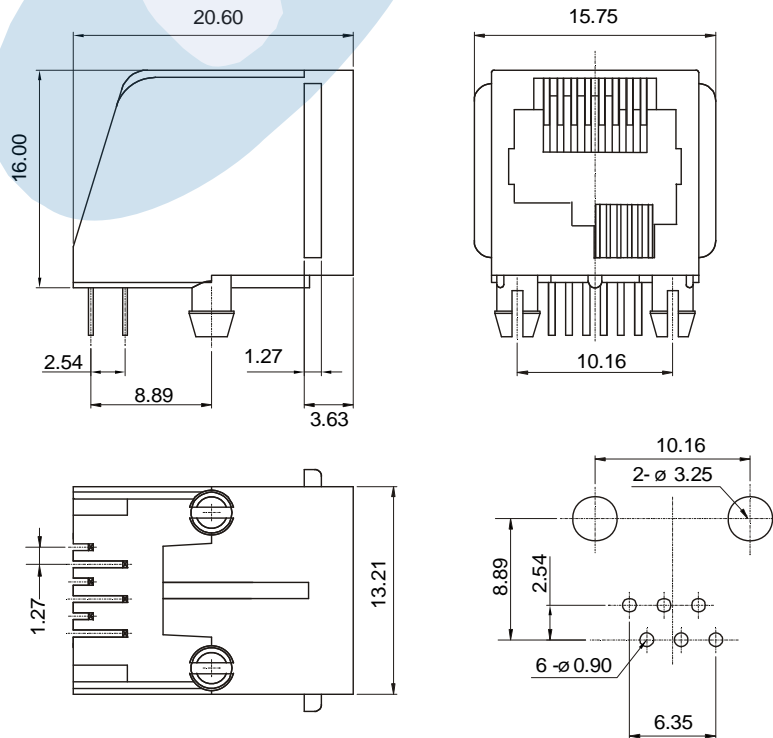
### Mechanical Features

- Durability: 1000 cycles

Circuit Size	Part Number
6/4	6822 - T641
6/6	6822 - T661

### T = Contact Plating

- T = 4. 6μ" gold over 50μ" nickel
- T = 5. 15μ" gold over 50μ" nickel
- T = 6. 30μ" gold over 50μ" nickel
- T = 7. 50μ" gold over 50μ" nickel



RECOMMENDED HOLE PATTERN