

SIDE ENTRY PCB JACK FCC-68



6816 SERIES. Right angle PCB jack.

General Features

- Available in 4/4, 6/4, 6/6, 8/8, 10/10 circuits
- Standard telephone jack FCC-68
- 14.50 mm. height. 13 mm. deph
- Accept standard plugs FCC-68
- Full gold plating with different plating
- Bifurcated plastic foot print

Materials

- Insulator: Thermoplastic UL 94V-0
- Contact: 0.45 mm. round in phosphor bronze
- Operating temperature. -25°C to + 85°C
- RoHS compliant

Dimensional Information

Circuit Size	Part Number				Dimensions		
	Black Without Panel Stop	Grey Without Panel Stop	Black With Panel Stop	Grey With Panel Stop	A	B	C
4/4	6816 - T441	6816 - T442	6816 - T443	6816 - T444	10.00 (0.393)	10.00 (0.393)	3.06 (0.121)
6/4	6816 - T641	6816 - T642	6816 - T643	6816 - T644	12.20 (0.481)	12.00 (0.473)	5.10 (0.200)
6/6	6816 - T661	6816 - T662	6816 - T663	6816 - T664	12.20 (0.481)	12.00 (0.473)	5.10 (0.200)
8/6	6816 - T861	6816 - T862	6816 - T863	6816 - T864	15.00 (0.591)	15.00 (0.591)	7.14 (0.282)
8/8	6816 - T881	6816 - T882	6816 - T883	6816 - T884	15.00 (0.591)	15.00 (0.591)	7.14 (0.282)
10/10	6816 - T101	6816 - T102	6816 - T103	6816 - T104	15.00 (0.591)	15.00 (0.591)	9.18 (0.362)

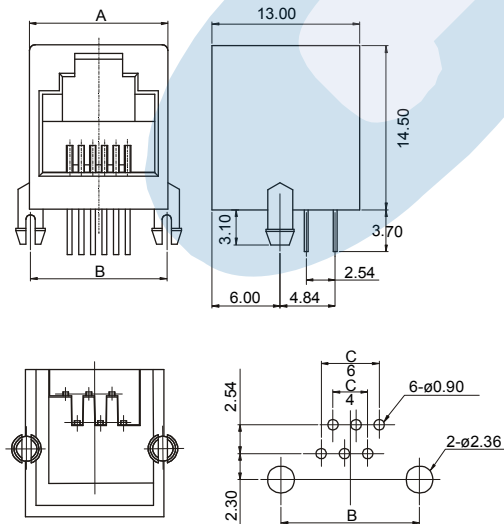
Electrical Features

- Voltage rating: < 125V
- Current rating: < 1.50 A
- Contact resistance: < 20 mΩ
- Dielectric withstanding voltage: 300 V AC/minute
- Insulation resistance: >1000 MΩ

Mechanical Features

- Durability: 1000 cycles

Version Without Panel Stop Key



T = Contact Plating

- T = 4. 6μ" gold over 50μ" nickel
- T = 5. 15μ" gold over 50μ" nickel
- T = 6. 30μ" gold over 50μ" nickel
- T = 7. 50μ" gold over 50μ" nickel

Version With Panel Stop

