

TOP ENTRY PCB JACK FCC-68



6811 SERIES. Vertical PCB jack.

General Features

- Available in 4/4, 6/4, 6/6 and 8/8 circuits
- Standard telephone jack FCC-68
- 16.38 mm. height
- Accept standard plugs FCC-68 type
- Selective gold plating with different finish
- Bifurcated plastic foot print
- With / Without panel stop

Materials

- Insulator: Thermoplastic UL 94V-0
- Contact: 0.35 mm thickness phosphor bronze
- Operating temperature. -25°C to + 85°C
- RoHS compliant

Dimensional Information

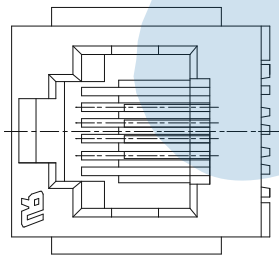
Electrical Features

- Voltage rating: < 125V
- Current rating: < 1.50 A
- Contact resistance: < 20 mΩ
- Dielectric withstanding voltage: 300 V AC/minute
- Insulation resistance: >1000 MΩ

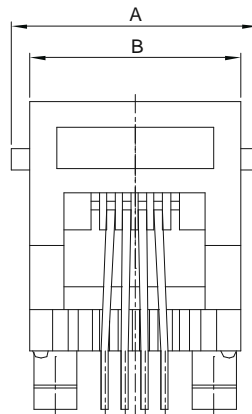
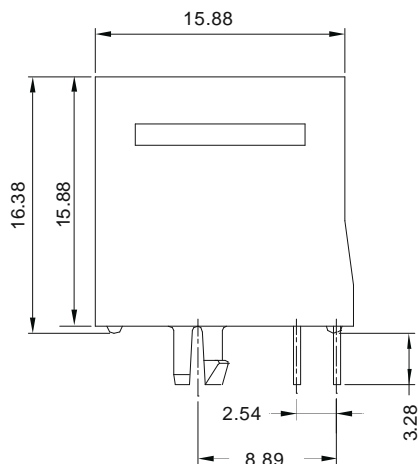
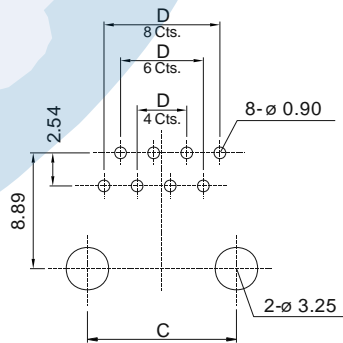
Mechanical Features

- Durability: 1000 cycles

Circuit Size	Part Number		Dimensions			
	W/O Panel Stop	With Panel Stop	A	B	C	D
4/4	6811 - T440	6811 - T441	13.97 (0.550)	11.43 (0.450)	7.62 (0.300)	3.81 (0.150)
6/4	6811 - T640	6811 - T641	15.75 (0.620)	13.46 (0.530)	10.16 (0.400)	3.81 (0.150)
6/6	6811 - T660	6811 - T661	15.75 (0.620)	13.46 (0.530)	10.16 (0.400)	6.35 (0.250)
8/6	6811 - T860	6811 - T861	17.84 (0.703)	15.36 (0.605)	11.43 (0.465)	6.35 (0.250)
8/8	6811 - T880	6811 - T881	17.84 (0.703)	15.36 (0.605)	11.43 (0.465)	8.89 (0.350)



RECOMMENDED HOLE PATTERN



T = Contact Plating

- T = 4. 6μ" gold over 50μ" nickel
- T = 5. 15μ" gold over 50μ" nickel
- T = 6. 30μ" gold over 50μ" nickel
- T = 7. 50μ" gold over 50μ" nickel

