

2.13 mm. DIMETER WIRE TO WIRE CONNEC.



6760 SERIES. 6.35 mm. (0.250") pitch. Plug / Receptacle housing.

General Features

- Available in 1, 2, 3, 4, 5, 6, 8, 9, 10, 12 and 15 circuits
- Allow wire to wire and wire to PCB connections
- Mates with 6760 crimp housing and 2.13 mm. diameter pin header 6758, 6767, 6768 and 6769 series
- Polarised with positive locking system
- Use crimp terminals 6761, 6762, 6763, 6764, 6765 and 6766 series

Materials

- Insulator: Nylon 66 UL 94 V-2
- Operating temperature: -40°C to +105°C
- RoHS compliant

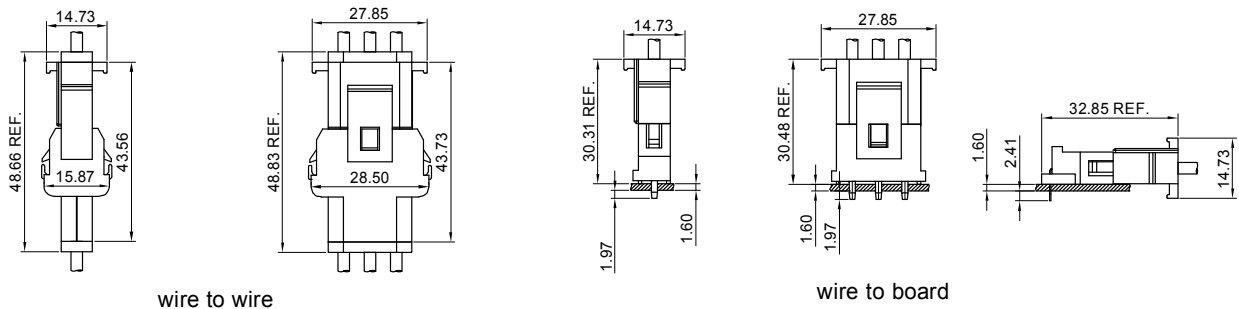
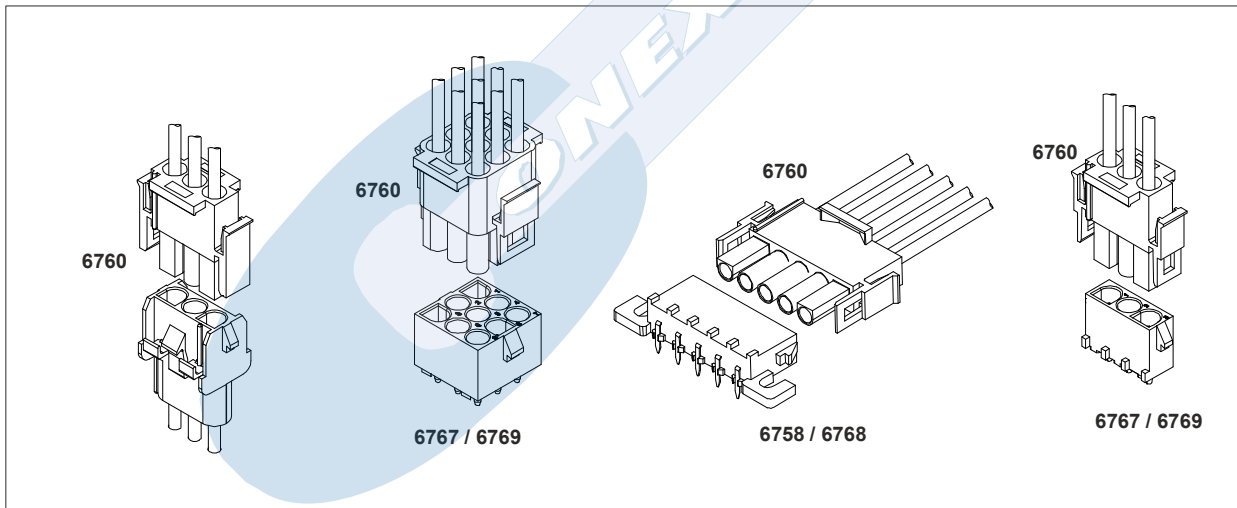
Dimensional Information

Electrical Features

- Voltage rating: < 600 V
- Current rating: < 5 A
- Contact resistance: < 10 mΩ
- Dielectric withstanding voltage: 1500 V AC/minute
- Insulation resistance: >1000 MΩ

Mechanical Features

- Insertion force to header: < 5.00 Kgf/pin
- Withdrawal force from header: > 0.20 Kgf/pin
- Terminal retention force to insulator: > 4Kgf
- Durability: 25 cycles

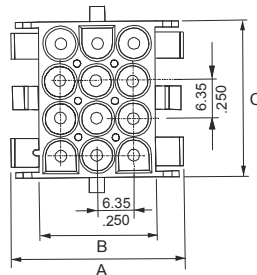
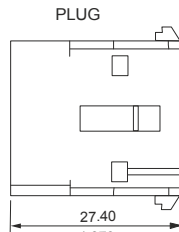
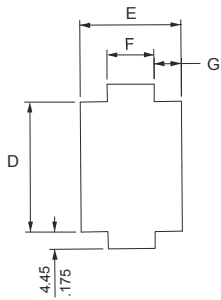


2.13 mm. DIMETER WIRE TO WIRE CONNEC.

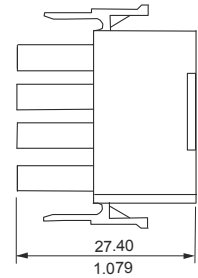
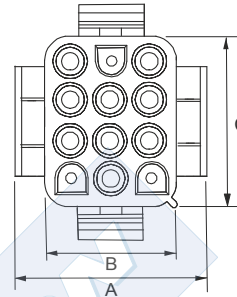


6760 SERIES. 6.35 mm. (0.250") pitch. Plug / Receptacle housing.

RECOMMENDED PANEL CUT-OUT



RECEPTACLE



PLUG

Circuits	Part number	Dimensions						
		A	B	C	D	E	F	G
1	6760 - 1011	-	9.65	9.65	-	-	-	-
2	6760 - 1021	15.70	7.60	13.97	-	-	-	-
3	6760 - 1031	15.70	7.60	20.30	-	-	-	-
4 (1x4)	6760 - 1041	15.70	7.60	26.67	-	-	-	-
5	6760 - 1051	15.70	7.60	33.02	-	-	-	-
6 (2x3)	6760 - 1061	28.45	20.32	13.97	-	-	-	-
6 (1x6)	6760 - 1063	15.70	7.60	39.40	-	-	-	-
8	6760 - 1081	15.70	7.60	52.07	-	-	-	-
9	6760 - 1091	28.45	20.32	20.32	-	-	-	-
10	6760 - 1101	15.70	7.60	64.77	-	-	-	-
12	6760 - 1121	28.45	20.32	26.67	-	-	-	-
15	6760 - 1151	28.45	20.32	33.02	-	-	-	-

RECEPTACLE

Circuits	Part Number	Dimensions						
		A	B	C	D	E	F	G
1	6760 - 2011	-	7.40	7.40	-	-	-	-
2	6760 - 2021	14.70	7.60	13.97	14.35	13.46	8.64	2.41
3	6760 - 2031	14.70	7.60	20.30	20.70	13.46	8.64	2.41
4 (1x4)	6760 - 2041	14.70	7.60	26.67	27.05	13.46	8.64	2.41
5	6760 - 2051	14.70	7.60	33.02	33.40	13.46	8.64	2.41
6 (2x3)	6760 - 2061	27.40	20.32	13.97	14.35	26.16	12.19	6.99
6 (1x6)	6760 - 2063	14.70	7.60	39.40	39.75	13.46	8.64	2.41
8	6760 - 2081	14.70	7.60	52.07	52.45	13.46	8.64	2.41
9	6760 - 2091	27.40	20.32	20.32	20.70	26.16	12.19	6.99
10	6760 - 2101	14.70	7.60	64.77	65.20	13.46	3.91	4.80
12	6760 - 2121	27.40	20.32	26.67	27.05	26.16	12.19	6.99
15	6760 - 2151	27.40	20.32	33.02	33.40	26.16	12.19	6.99