

2.36 mm. TOP ENTRY HEADER.



6751 SERIES. 6.70 mm. (0.263").

General Features

- Available in 2, 3, 4, 6 and 9 circuits
- Mates with 6.70 mm. crimp housing 6750 series
- Stamped round pin 2.36 mm. diameter tin plated
- Fully shrouded with polarized slot
- Positive lock

Materials

- Insulator: Nylon 6/6 UL 94 V-2
- Terminal: Tin plated brass
- Operating temperature: -25°C to +105°C
- RoHS compliant

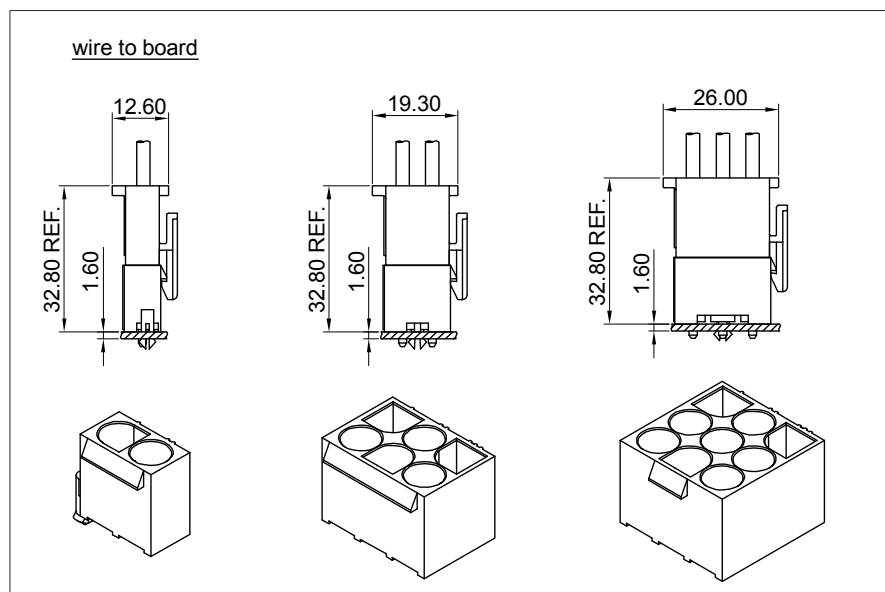
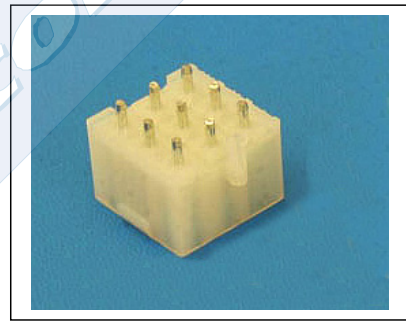
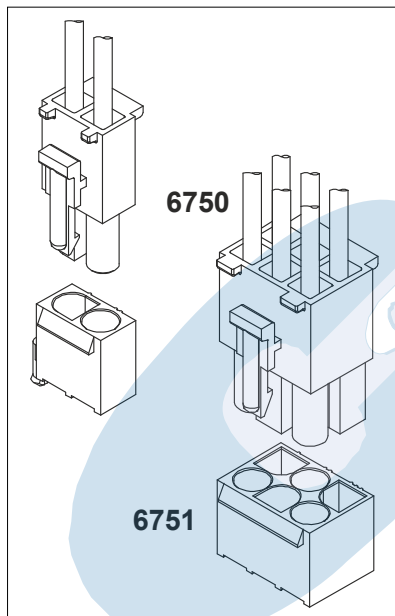
Dimensional Information

Electrical Features

- Voltage rating: < 600V
- Current rating: < 5 A
- Contact resistance: < 10 mΩ
- Dielectric withstanding voltage: 1500 V AC/minute
- Insulation resistance: >1000 MΩ

Mechanical Features

- Pin retention force to insulator: < 1.00 Kgf
- Durability: 25 cycles



2.36 mm. TOP ENTRY HEADER.



6715 SERIES. 4.14 mm. (0.263").

