

# CRIMP MALE TERMINAL



## 6731 SERIES. 1.58 (0.062") mm. Diameter.

### General Features

- Accommodates wire range AWG 18 through 24
- Use in housing 1.58 mm. diam. 6730 and 4800 series
- Round male contact with tin plated locking lance
- Maximum insulation diameter 3.10 mm. (0.098")

### Materials

- Contact: Brass tin plated Brass

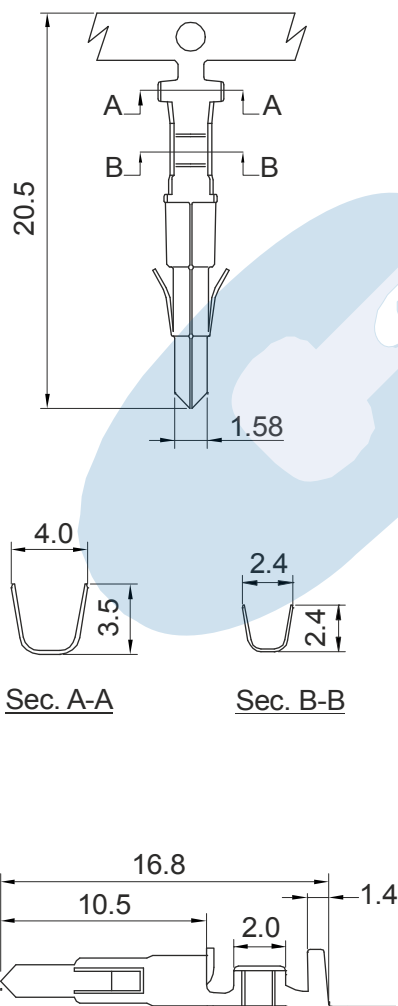
### Electrical Features

- Current rating: < 5 A
- Contact resistance: < 10 mΩ

### Mechanical Features

- Wire pull-out force:
  - 6.50 Kgf 18 AWG
  - 6.00 Kgf 20 AWG
  - 4.50 Kgf 22 AWG
  - 3.50 Kgf 24 AWG
- Durability: 25 cycles

### Dimensional Information



**6731** - **T** - **00** - **E**  
1 2

#### 1. Terminal Series

#### 2. (T) Contact Plating

- T = 2. Tin plated

#### 2. (E) Packing Options

- E = 0. Chain
- E = 1. Loose Piece

