

4.14 mm. SIDE ENTRY HEADER.



6716 SERIES. 4.14 mm. (0.163").

General Features

- Available in 2, 3, 4, 6, 8, 10, 12(3x4), 12(2x6), 14, 15(3x5), 16, 18, 20, 22 and 24 circuits
- Mates with 4.14 mm. crimp housing 6710 series
- Round pin 1.10 mm. diameter tin plated
- Fully shrouded with polarized slot
- Positive lock

Materials

- Insulator: Nylon 6/6 UL 94 V-0
- Terminal: Tin plated brass
- Operating temperature: -25°C to +105°C
- RoHS compliant

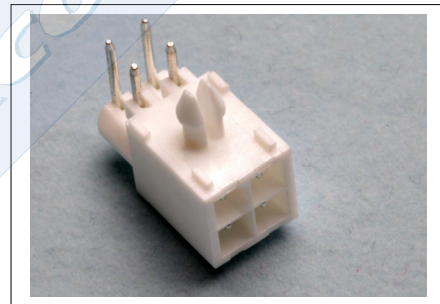
Dimensional Information

Electrical Features

- Voltage rating: < 600V
- Current rating: < 9 A
- Contact resistance: < 20 mΩ
- Dielectric withstanding voltage: 1500 V AC/minute
- Insulation resistance: >1000 MΩ

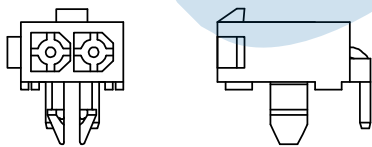
Mechanical Features

- Pin retention force to insulator: < 1.00 Kgf
- Durability: 25 cycles

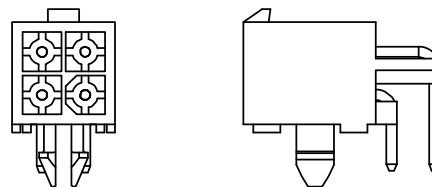


PIN CONFIGURATION

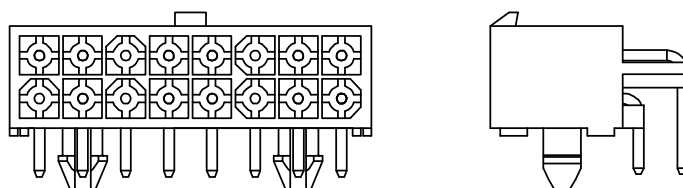
2P and 3P Circuit , Single Row



2x2P,2x3P,2x4P,2x5P and 2x 6P Circuit , Dual Row



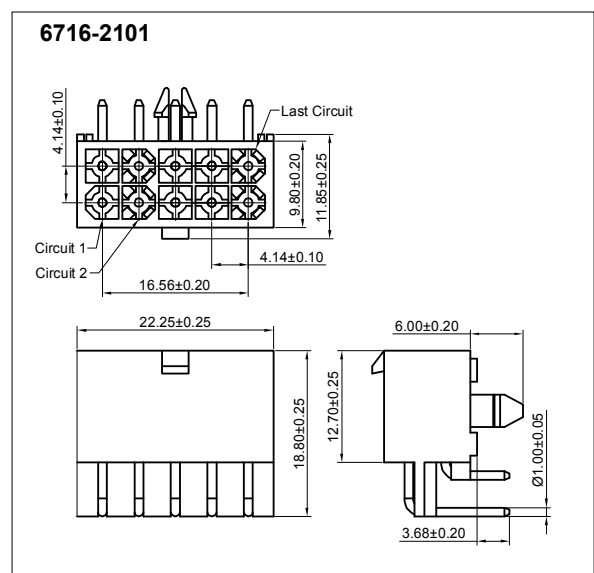
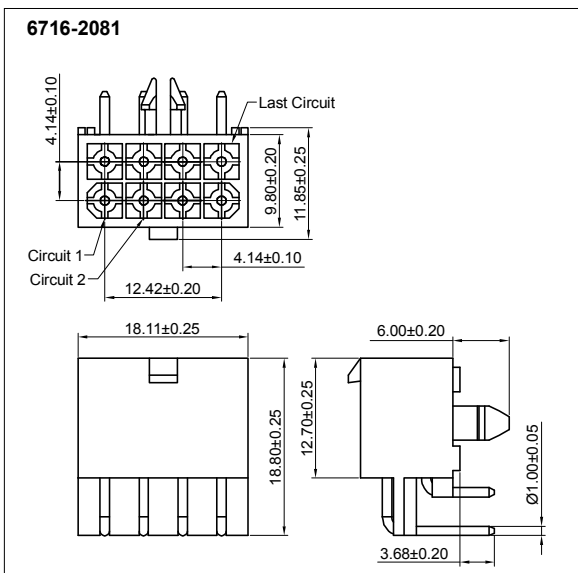
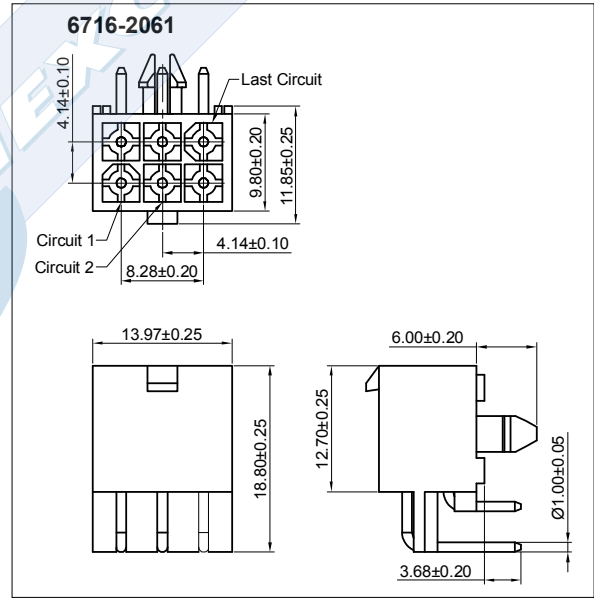
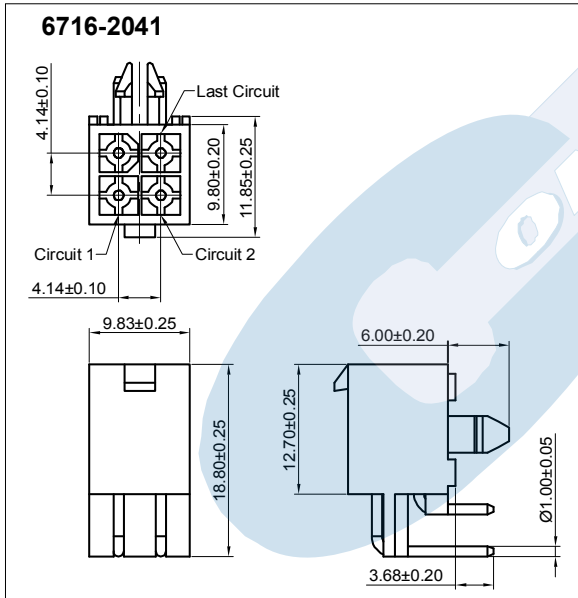
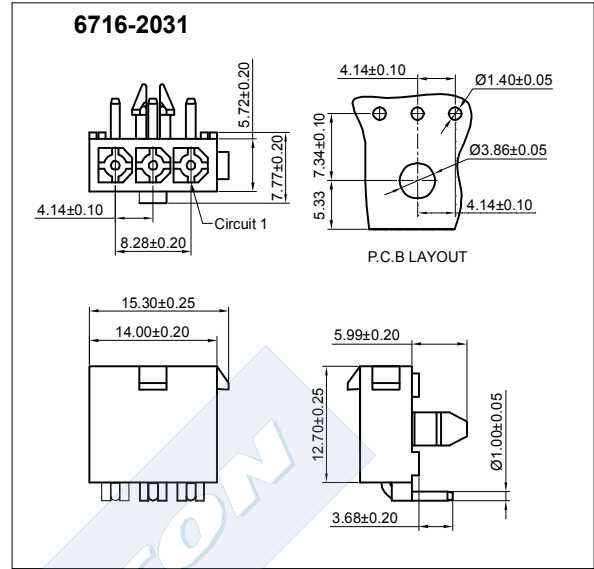
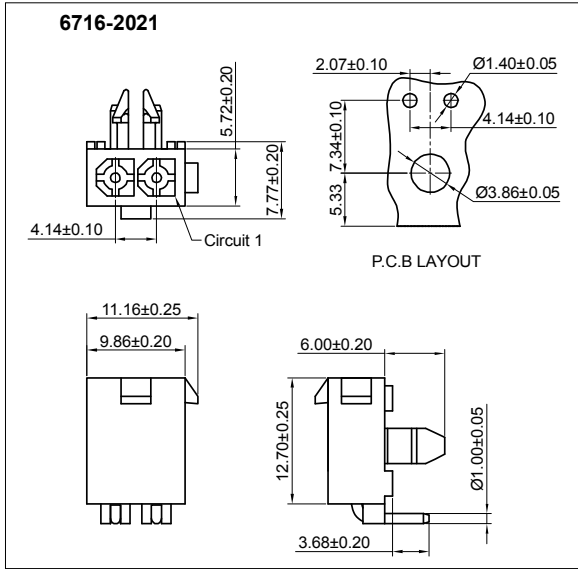
2x7P,2x8P,2x9P,2x10P,2x11P and 2x12P Circuit , Dual Row



4.14 mm. TOP ENTRY HEADER.



6715 SERIES. 4.14 mm. (0.163").



4.14 mm. TOP ENTRY HEADER.



6715 SERIES. 4.14 mm. (0.163").

