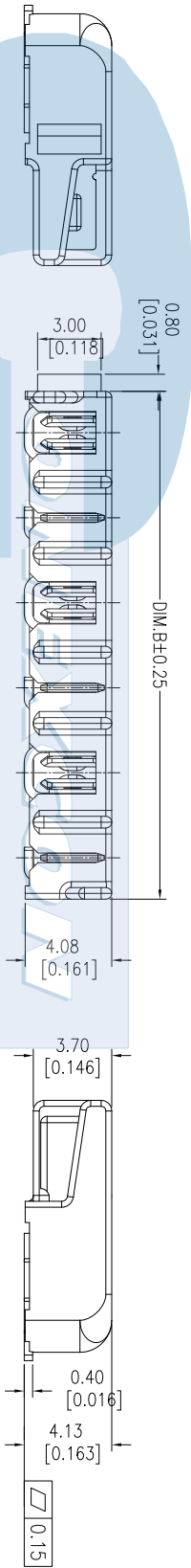
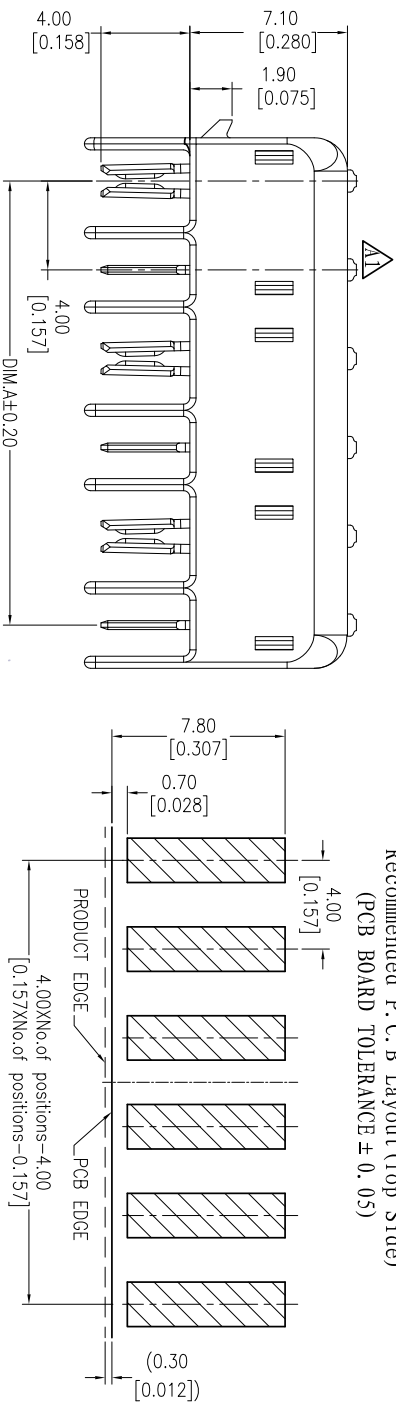


NOTES:

Rated Current:6.0AMP
 Contact Resistance:18mΩ max
 Withstand Voltage:1500V AC/DC
 Insulation Resistance:1000MΩ min
 Operation Temperature:-40°C to +105°C

Contact Material:Phosphor Bronze
 Contact Plating:MATTE TIN PLATED OVER NICKEL
 Insulator Material:LCP+30%GF UL94V-0 BLACK
 OR NATURAL

Recommended P.C.B Layout (Top Side)
 (PCB BOARD TOLERANCE ± 0.05)

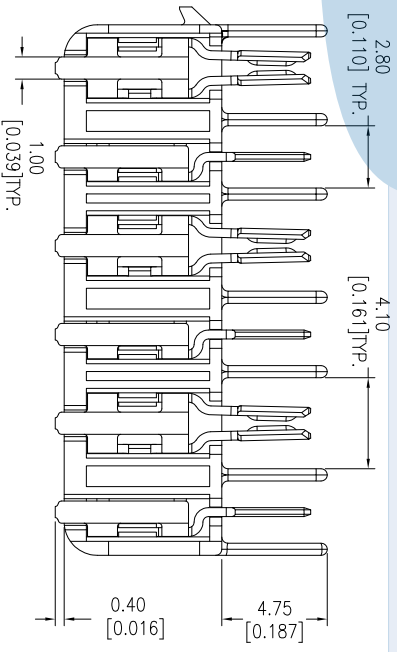


Ordering Information:

5822 - T- XX- 1

1 2 3

1. Connector Series
2. (T) Contact Plating
 - T = 2. Tin plated (Recommended Finish)
3. (XX) Number of circuits
 - Available in 2, 4 and 6circuits



No. Of PIN	DIM.A	DIM.B
02	4.00	7.90
04	12.00	15.90
06	20.00	23.90

REV	DATE	MODIFICATION DESCRIPTION	CHANGE	OPERATION	DRAW	DATE	SCALE	FIT	PART NO.
A1	2015/11/03	Modify	△	X.X	Allen	2015/11/03	mm	A4	5822 Series
A0	2015/07/22	NEW	---	X.XXX	CHECK		mm	1/1	
REV	DATE	MODIFICATION DESCRIPTION	CHANGE	Angle	APPROVE	DATE	SHEET	PROJ.	TITLE:
				DIM			1/1		4.00 PITCH SMT HERMAPHRODITIC BLADE AND RECEPTACLE WITH RAMP
				TOL					Customer NO.

