

# HSF

**NOTES:**

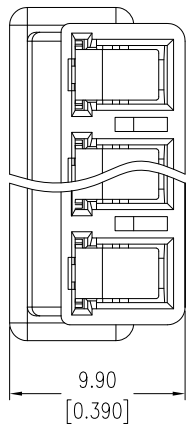
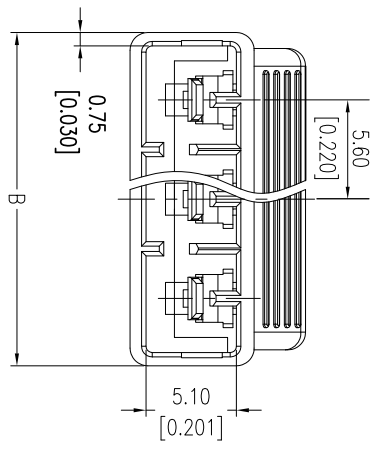
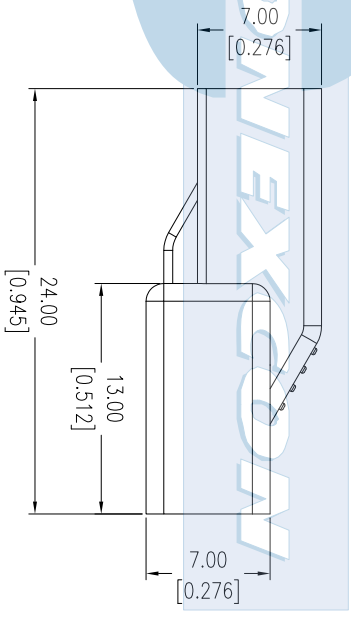
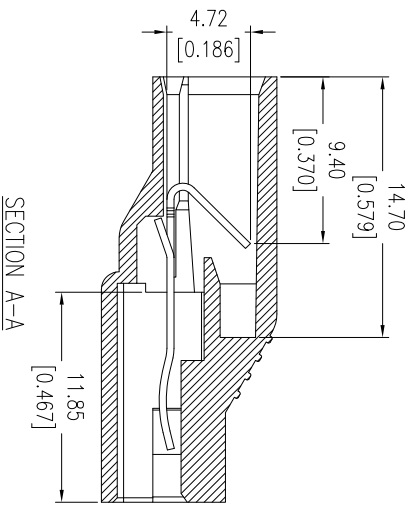
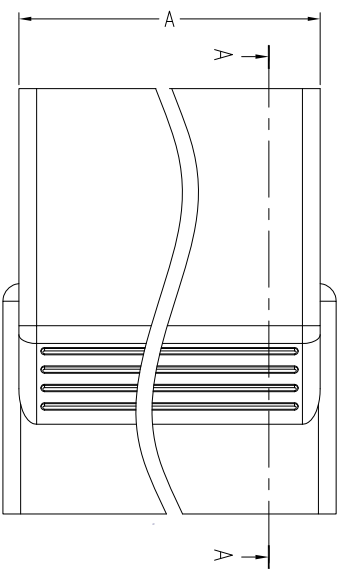
- Rated Current: 3.0 AMP @120V.
- Contact Resistance: 30mΩ Max.
- Withstand Voltage: 600V MAX.
- Insulation Resistance: 1000MΩ Min.
- Operation Temperature: -40°C to +105°C
- Applicable Wire Range:
  - Solid Wire: 18 AWG
  - Tin Bonded: 18 AWG(≤16 Strand)
- Contact Material: Phosphor Bronze(C5191)
- Contact Plating: Sn over Ni
- Main Body Material: PA66 UL94V-0

**Ordering Information:**

**5821 - T- XX- 1**

1                      2                      3

1. Connector Series
2. (T) Contact Plating
  - T = 2. Tin plated (Recommended Finish)
3. (XX) Number of circuits
  - Available in 2 and 3 circuits



3	17.00 [0.669]	18.80 [0.740]
2	11.40 [0.449]	13.20 [0.520]

PIN	A	B
-----	---	---

OPERATION		DRAW		DATE		SCALE		PART NO.	
X.X ±0.40		JYHuang		2015/12/07		Ft mm		5821 Series	
X.XX ±0.25		CHECK		DATE		UNIT mm		TITLE:	
X.XXX ±0.15		CHECK		DATE		SIZE A4		LED CONN.FEMALE L=24.0	
Angle ± 3'		APPROVE		DATE		SHEET 1/1		Customer NO.	
DIM TOL		APPROVE		DATE		PROJ.		Customer NO.	
REV	DATE	MODIFICATION DESCRIPTION			CHANGE				
A1	2015/12/07	ADD DIM. TABLE							
A0	2015/06/15	NEW							

