

# MINI HDMI CONNECTOR RIGHT ANGLE SMT



## 5655 SERIES. Mini HDMI Connector.

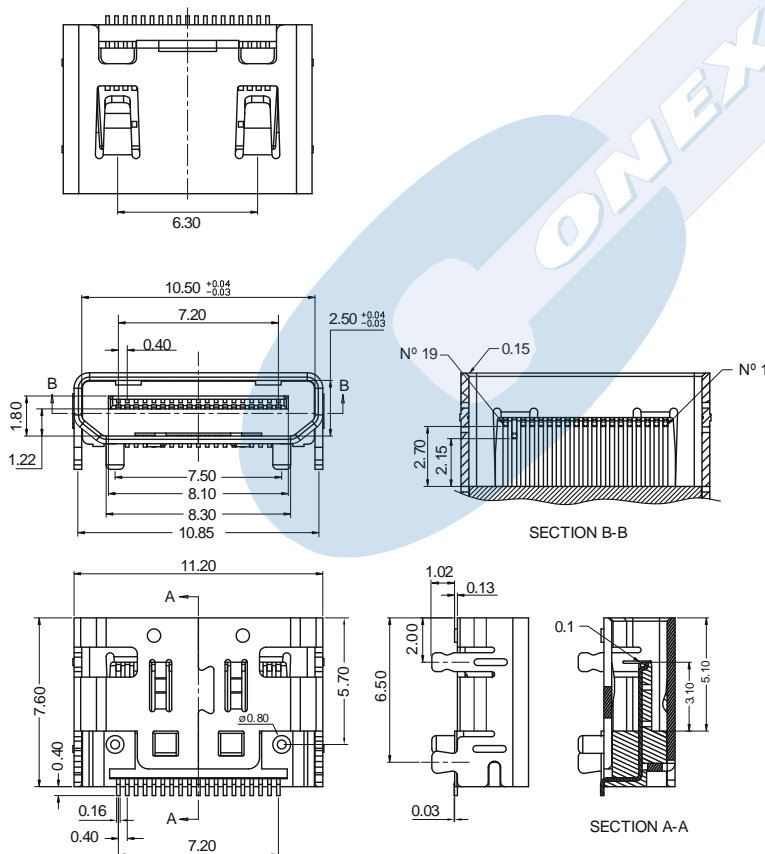
### General Features

- Standard mini HDMI dimensions
- Contact area: different gold plating over 50 U nickel
- Solder area: tin plating over 50 U nickel
- Trough hole fixing tabs
- Stand-off: 0 mm.

### Materials

- Insulator: LCP+35% GF UL 94 V-0
- Shell: Brass thickness 0.50 mm
- Contact: Brass thickness 0.25 mm
- Operating temperature: -25°C to +85°C
- RoHS compliant

### Dimensional Information



### Electrical Features

- Voltage rating: < 40 V
- Current rating: < 0.50 A
- Contact resistance: < 60 mΩ
- Dielectric withstanding voltage: 300 V AC/minute
- Insulation resistance: >100 MΩ

### Mechanical Features

- Insertion force: Insertion 4 Kgf maximum
- Extraction force: 0.70 Kgf minimum
- Durability: 100 cycles



**5655 - T- 19- 1**

1                      2                      3

#### 1. Series

#### 2. Plating Options

- T = 15. 15μ" Selec. gold over nickel  
Recommended Finish

#### 3. Number of circuits

- Available in 19 circuits

