

# HDMI CONNECTOR RIGHT ANGLE SMT



## 5645 SERIES. HDMI Connector.

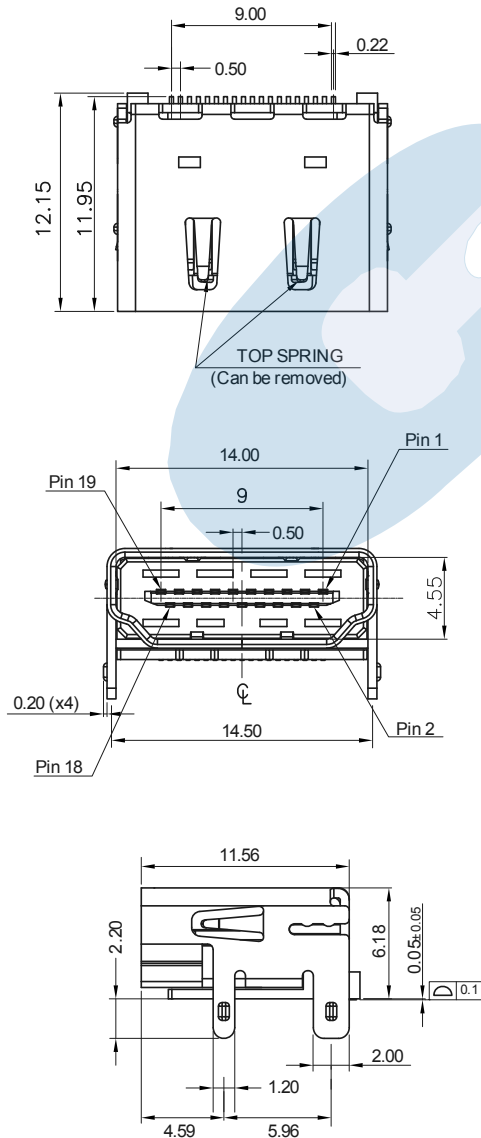
### General Features

- Standard HDMI dimensions
- Contact area: different gold plating over 50 μ" nickel
- Solder area: tin plating over 50 U nickel
- Stand-off: 0 mm.
- Trough hole fixing tabs

### Materials

- Insulator: LCP+35% GF UL 94 V-0
- Shell: Brass thickness 0.50 mm
- Contact: Brass thickness 0.25 mm
- Operating temperature. -25°C to +85°C
- RoHS compliant

### Dimensional Information

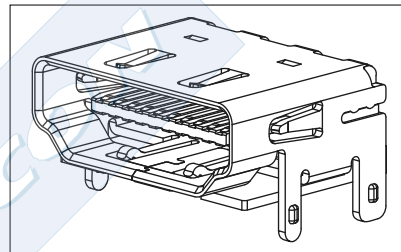


### Electrical Features

- Voltage rating: < 50 V
- Current rating: < 0.50 A
- Contact resistance: < 10 mΩ
- Dielectric withstanding voltage: 300 V AC/minute
- Insulation resistance: >100 MΩ

### Mechanical Features

- Durability: 100 cycles



## 5645 - T- 19- E

1 2 3 4

### 1. Series

### 2. Plating Options

- T = 13. Selective gold flash over Ni  
Recommended Finish

### 3. Number of circuits

- Available in 19 circuits

### 4. Packing Options

- E = 2. Reel

