

MINI USB SOCKET SIDE ENTRY SMT CON.



5618 SERIES. Mini USB Socket B Type.

General Features

- Standard mini Usb connector 5 pins B type
- Contact area: selective gold plating over nickel
- Solder area: tin plating over nickel
- With SMT fixing tab

Materials

- Insulator: LCP GF UL 94 V-0
- Contact: Brass $t = 0.20$ mm.
- Shell: stainless steel $t = 0.40$ mm. 40μ " min. nickel over plated
- Operating temperature. -25°C to $+85^{\circ}\text{C}$
- RoHS compliant

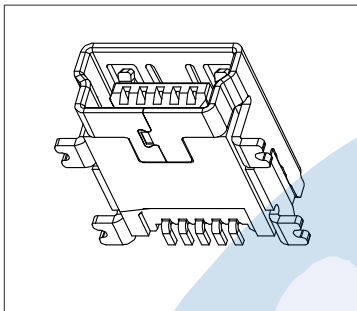
Dimension Information

Electrical Features

- Voltage rating: < 30 V
- Current rating: 1.0 A
- Contact resistance: < 30 m Ω
- Dielectric withstanding Voltage: 100 V AC/minute
- Insulation resistance: > 100 M Ω

Mechanical Features

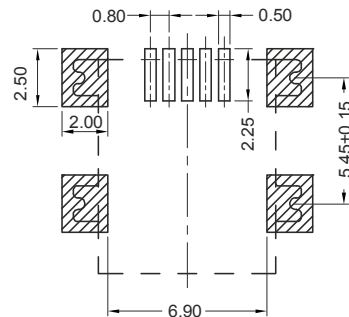
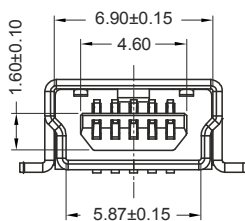
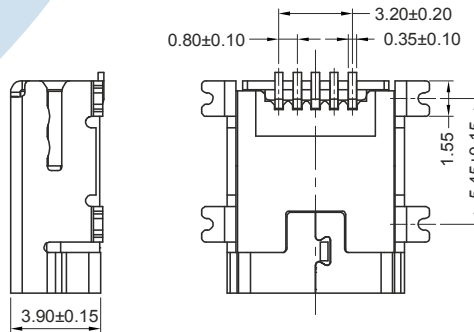
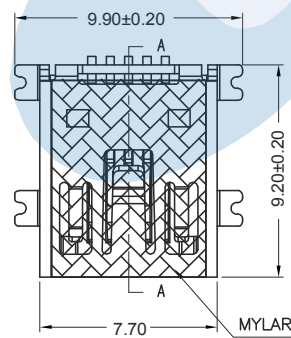
- Mating force: < 3.50 Kgf
- Unmating force: > 0.70 Kgf
- Durability: 5.000 Cycles



Part Number	Connector Type
5618 - 16052E	Type B

E = Packing Options

- E = 1. Tube
- E = 2. Reel+ Plastic Cover



RECOMMENDED PCB LAYOUT
TOP VIEW ± 0.05