

DUAL USB B 3.1 SOCKET SIDE ENTRY CONN.



5598 SERIES. USB 3.1 B Type socket connector.

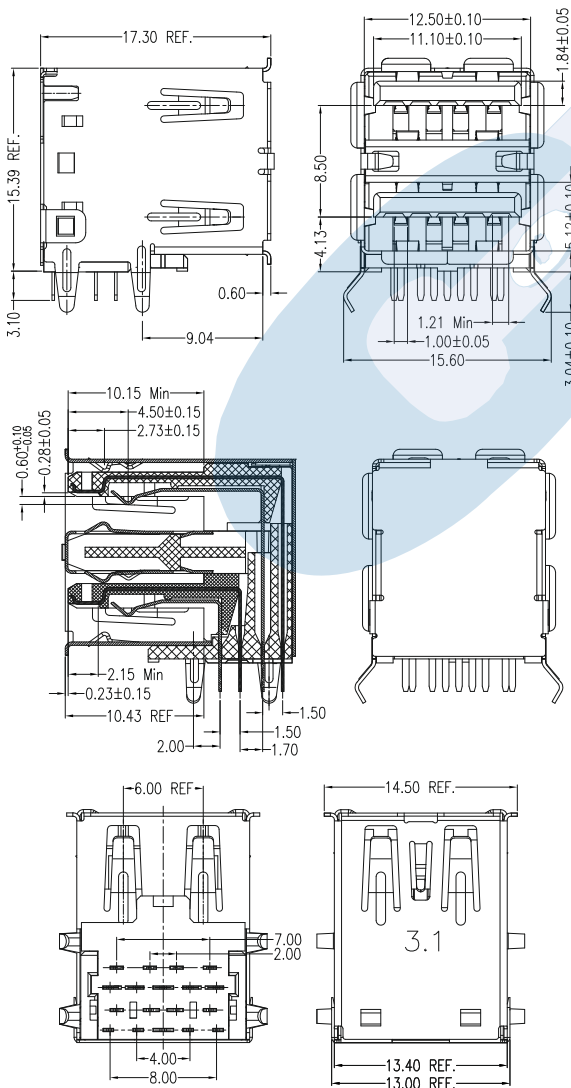
General Features

- Standard Usb 3.1 connector 18 pins A type
- Contact area: selective gold plating over nickel
- Solder area: tin plating over nickel
- Standoff: 0 mm. Single level
- With board lock fixing tab

Materials

- Housing: PBT UL 94 V-0 / Baffle: Nylon UL 94 V-0
- Contact: Phosphor bronze (8 pins) and Brass (10 pins)
- Shell: stainless steel
- Operating temperature. -25°C to +85°C
- RoHS compliant

Dimension Information

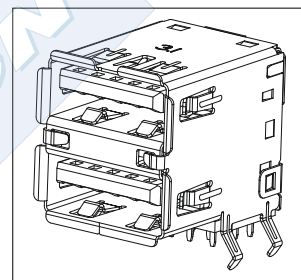


Electrical Features

- Voltage rating: < 30 V
- Current rating: 1.8 A (Pins 1,4,10,13). Other pins 0,25 A
- Contact resistance: < 30 mΩ
- Dielectric withstanding Voltage: 100 V AC/minute
- Insulation resistance: >100 MΩ

Mechanical Features

- Mating force: < 3.50 Kgf
- Unmating force: > 1.00 Kgf
- Durability: 1.500 Cycles



Ordering Information:

5598 - T- 18- 1- E
 1 2 3 4

1. Connector Series

2. (T) Contact Plating

- T = 13. Selective gold flash over nickel
- T = 15. Selective 15µ" over nickel
- T = 16. Selective 30µ" over nickel

3. (XX) Number of circuits

- Available in 18 circuits

4. (E) Packing Options

- E = 1. Tray

PIN	SIGNAL NAME
1	10 VBUS
2	11 D-
3	12 D+
4	13 GND
5	14 StdA_SSRX-
6	15 StdA_SSRX+
7	16 GND-DRAIN
8	17 StdA_SSTX-
9	18 StdA_SSTX+

