

USB 3.0 SOCKET B TYPE SIDE ENTRY CONN.



5591 SERIES. USB 3.0 B Type socket connector.

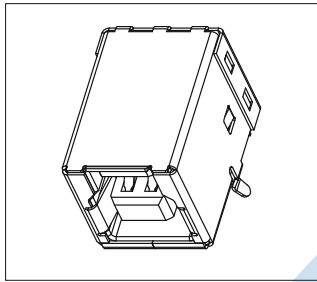
General Features

- Standard Usb 3.0 connector 9 pins B type
- Contact area: selective gold plating over nickel
- Solder area: tin plating over nickel
- Standoff: 0 mm. Single level
- With board lock fixing tab

Materials

- Insulator: PBT GF UL 94 V-0
- Contact: Phosphor bronze
- Shell: Brass
- Operating temperature: -25°C to +85°C
- RoHS compliant

Dimension Information



Electrical Features

- Voltage rating: < 30 V
- Current rating: 1.8 A pin 1 and 4. All the other pins 0,25 A
- Contact resistance: < 30 mΩ
- Dielectric withstanding Voltage: 100 V AC/minute
- Insulation resistance: >1000 MΩ

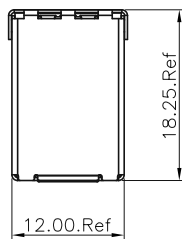
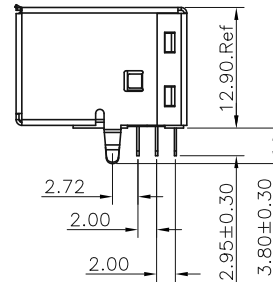
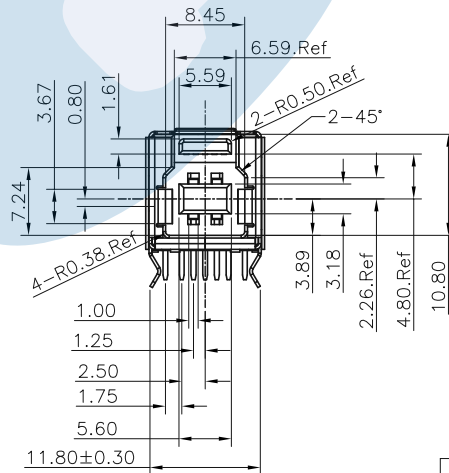
Mechanical Features

- Mating force: < 3.50 Kgf
- Unmating force: > 1.00 Kgf
- Durability: 1.500 Cycles

Ordering Information:

5591 - 13- 09- 1

1 2 3 4



Recommended P.C.Board Layout (Tolerance:±0.05)

