

Note:

- \* Materials :
- Insulator: Thermoplastic UL94 V-0
- Contacts: Copper Alloy
- Shell: Metal with Nickel plated
- Ground Plate: Metal with Nickel plated
- EMI Ring: Metal with Nickel plated

**Ordering Information:**

**5577 - T- 24- 1- E**  
 1 2 3 5

**1. Connector Series**

**2. (T) Contact Plating**

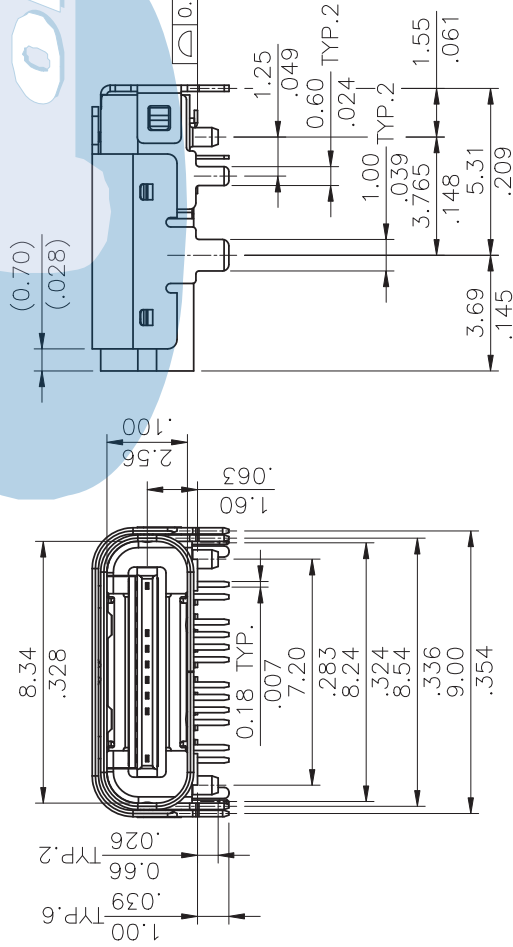
- T = 16. 30μ" selective gold over nickel Recommended Finish

**3. (XX) Number of circuits**

- Available in 24 circuits

**5. (E) Packing Options**

- E = 2. Reel



Halogen-Free

Lead Free Process

RoHS Compliant

TITLE: USB TYPE C RIGHT ANGLE BOARD MOUNT SOCKET

UNIT: mm / inch

DATE: 5/15-15'

SYM NAME DATE REVISIONS

MATERIAL:

FINISH:

X ± 0.25/.010 X\* ± 3

XX ± 0.13/.005 X\* ± 2

XXX ± 0.05/.002 XX\* ± 1

6

5

4

3

ONEXCON

DRAWING NO.

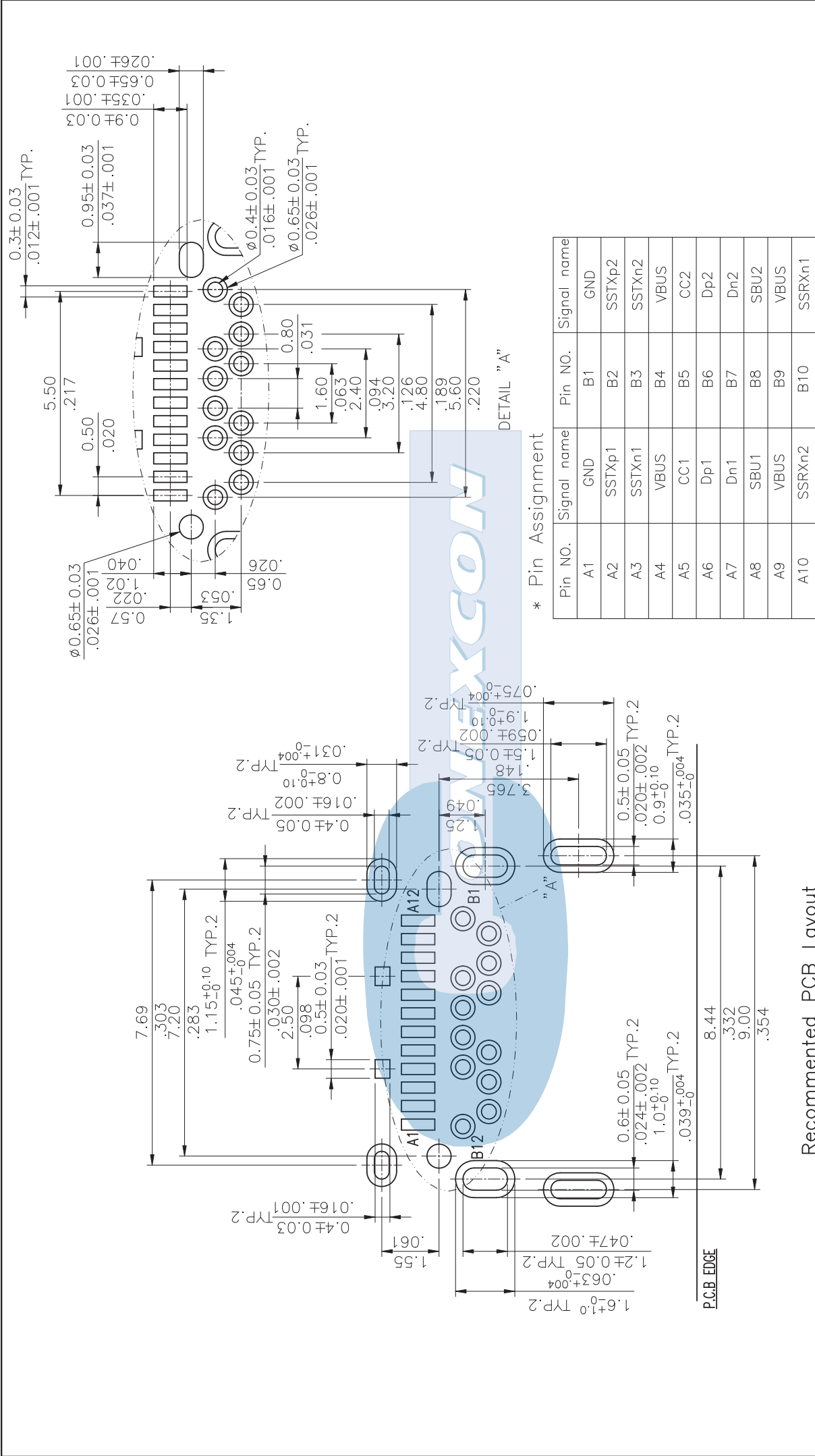
SCALE

PART NO.

SHEET

5577 Series

4 / 1 OF 2



Recommended PCB Layout  
Tolerance ±0.05

\* Pin Assignment

Pin NO.	Signal name	Pin NO.	Signal name
A1	GND	B1	GND
A2	SSTXp1	B2	SSTXp2
A3	SSTXn1	B3	SSTXn2
A4	VBUS	B4	VBUS
A5	CC1	B5	CC2
A6	Dp1	B6	Dp2
A7	Dn1	B7	Dn2
A8	SBU1	B8	SBU2
A9	VBUS	B9	VBUS
A10	SSRXn2	B10	SSRXn1
A11	SSRXp2	B11	SSRXp1
A12	GND	B12	GND

RoHS Compliant

6																				
5																				
4																				
3																				
SYM	NAME	DATE	REVISIONS	APPROVED BY:	Eisley	CHECKED BY:	Eisley	ENGINEER:	Sun	DRAWN BY:	Ellie	DATE	5/15-15'	UNIT:	mm / inch	TITLE: USB TYPE C RIGHT ANGLE BOARD MOUNT SOCKET		DRAWING NO.		
													SCALE	6 / 1	SHEET	2 OF 2				
													FINISH:				MATERIAL:			



5577 Series