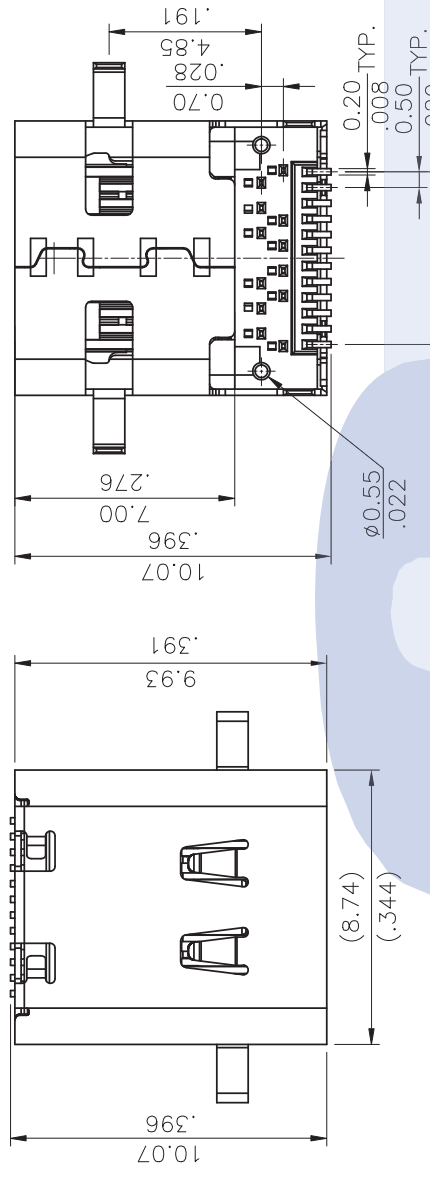
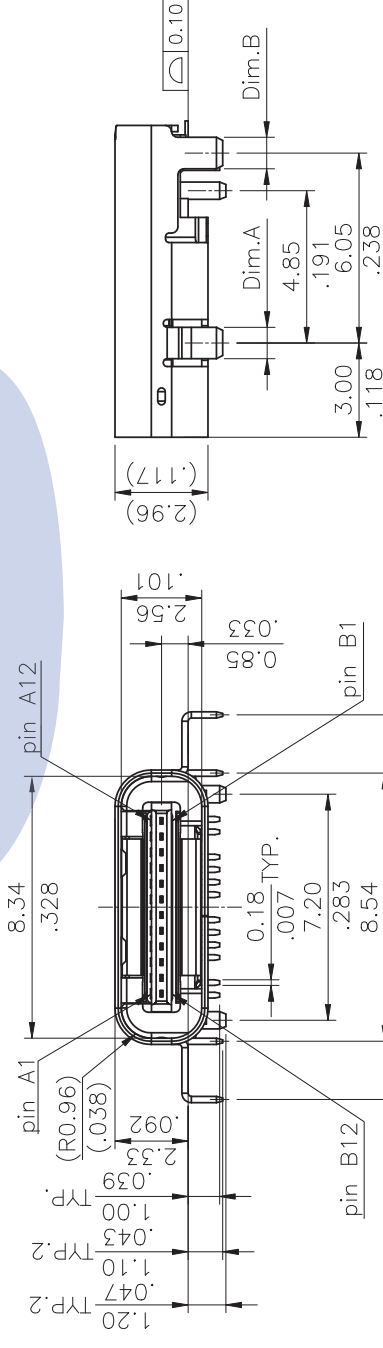


Note:

- * Materials :
 Insulator: Thermoplastic UL94 V-0
 Contacts: Copper Alloy
 Shell: Metal with Nickel plated
 Ground Plate: Metal with Nickel plated
 EMI Ring: Metal with Nickel plated
- * Functional capabilities : 5Gb/s



Bottom View



Ordering Information:

5576 - T- 24- 1- E

1 2 3 5

1. Connector Series

2. (T) Contact Plating

- T = 16.30µ" selective gold over nickel Recommended Finish

3. (XX) Number of circuits

- Available in 24 circuits

5. (E) Packing Options

- E = 2. Reel

Code	DIM.A	DIM.B	DIM.C	DIM.D
A	1.00(.039)	1.00(.039)	1.40(.055)	1.80 ^{+0.10} ₋₀ (.071 ^{+0.004})
B	1.30(.051)	1.30(.051)	1.70(.067)	2.10 ^{+0.10} ₋₀ (.083 ^{+0.004})

Halogen-Free

Lead Free Process

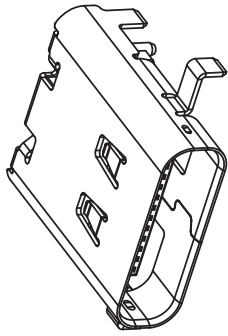
RoHS Compliant

SYM	NAME	DATE	REVISIONS	DATE	DRAWN BY:	ENGINEER:	CHECKED BY:	APPROVED BY:	UNIT:	mm / inch	TITLE:
6											U.S.B TYPE C RIGHT ANGLE BOARD MOUNT SOCKET
5				4/17-15'	Elife				TOLERANCE UNLESS OTHERWISE SPECIFIED		MATERIAL:
4				4/17-15'	Sun				X ± 0.25/010	X ± 0.010	FINISH:
3				4/17-15'	Eisley				.XX ± 0.13/005	.X ± 0.005	
				4/17-15'	Eisley				.XXX ± 0.05/002	.XX ± 0.002	



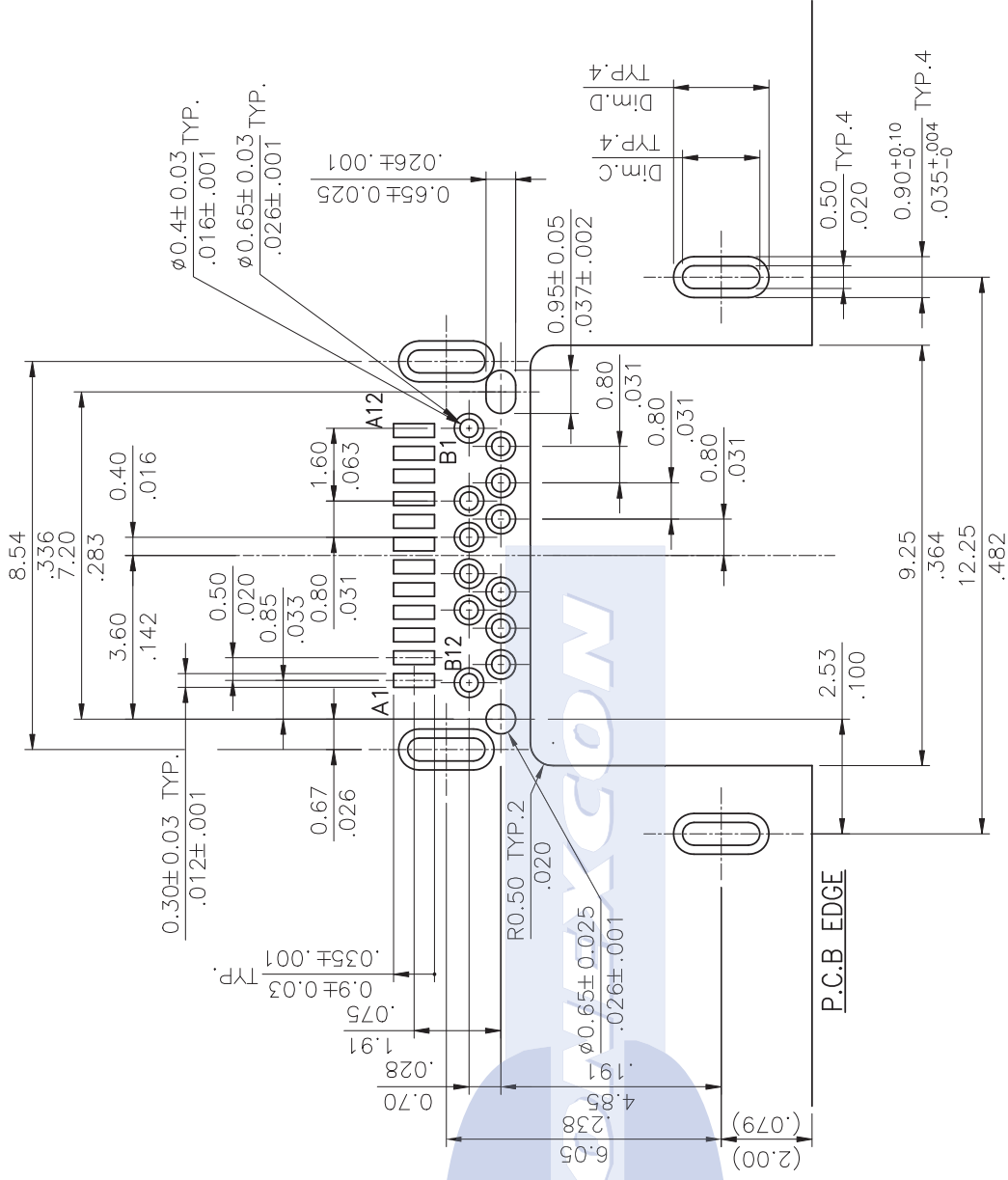
DRAWING NO.	PART NO.	SHEET	OF
		4 / 1	2

5576 Series



* Pin Assignment

Pin NO.	Signal name	Pin NO.	Signal name
A1	GND	B1	GND
A2	SSTXp1	B2	SSTXp2
A3	SSTXn1	B3	SSTXn2
A4	VBUS	B4	VBUS
A5	CC1	B5	CC2
A6	Dp1	B6	Dp1
A7	Dn1	B7	Dn1
A8	SBU1	B8	SBU2
A9	VBUS	B9	VBUS
A10	SSRXn2	B10	SSRXn1
A11	SSRXp2	B11	SSRXp1
A12	GND	B12	GND



Recommended PCB Layout
Tolerance ± 0.05

RoHS Compliant



TITLE: USB TYPE C RIGHT ANGLE
BOARD MOUNT SOCKET

MATERIAL:

FINISH:

SYM	NAME	DATE	REVISIONS	DATE	UNIT: mm / inch	TOLERANCE UNLESS OTHERWISE SPECIFIED	
						X ±	X* ± 1*
6				4/17-15'			
5				4/17-15'			
4				4/17-15'			
3				4/17-15'			
				4/17-15'			

DRAWING NO.

PART NO.

5576 Series

SCALE 6 / 1

SHEET 2 OF 2