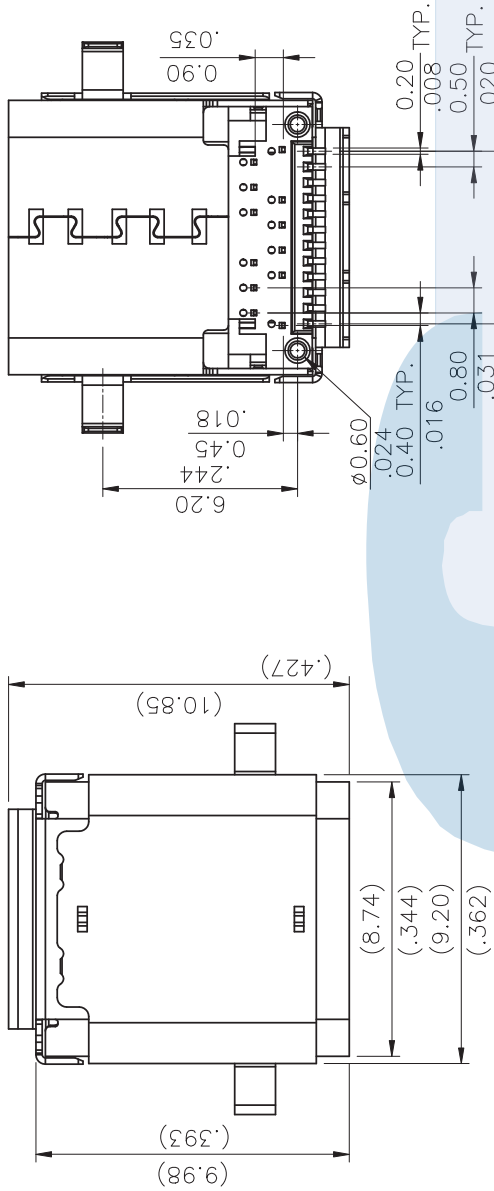
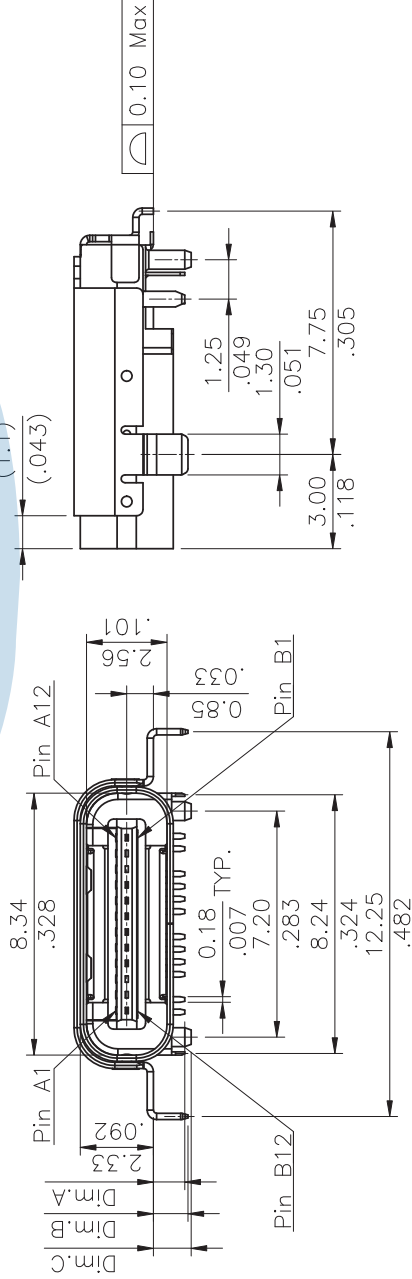


Note:

- \* Materials :  
Insulator: Thermoplastic UL94 V-0  
Contacts: Copper Alloy  
Shell: Metal with Nickel plated  
Ground Plate: Metal with Nickel plated  
EMI Ring: Metal with Nickel plated
- \* Functional capabilities : 10Gb/s



Bottom View



Ordering Information:

**5575 - I - 24 - 2 - E**  
1        2        3        4        5

1. Connector Series
2. (I) Contact Plating
  - T = 16. 30µ" selective gold over nickel Recommended Finish
3. (XX) Number of circuits
  - Available in 24 circuits
5. (E) Packing Options
  - E = 2. Reel

Code	DIM A	DIM B	DIM C	Recommended PCB Thickness
A	1.2(.047)	1.4(.055)	1.4(.055)	1.5(.059)
B	1.0(.039)	1.1(.043)	1.2(.047)	0.9(.035)

Halogen-Free

Lead Free Process

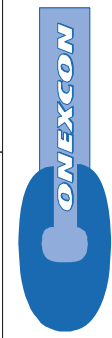
RoHS Compliant

SYM	NAME	DATE	REVISIONS	APPROVED BY:	Eisley	4/17-15'	XXX ± 0.05/.002	XX ± 0.13/.005	X ± 0.25/.010	TOLERANCE UNLESS OTHERWISE SPECIFIED	UNIT: mm / inch	
											DATE	DATE
6												
5				DATE	Eisley	4/17-15'						
4				DRAWN BY:	Sun	4/17-15'						
3				ENGINEER:	Eisley	4/17-15'						
				CHECKED BY:	Eisley	4/17-15'						
				APPROVED BY:	Eisley	4/17-15'						

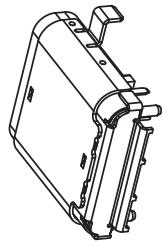
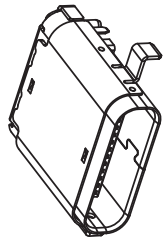
TITLE: USB TYPE C RIGHT ANGLE BOARD MOUNT SOCKET

MATERIAL:

FINISH:

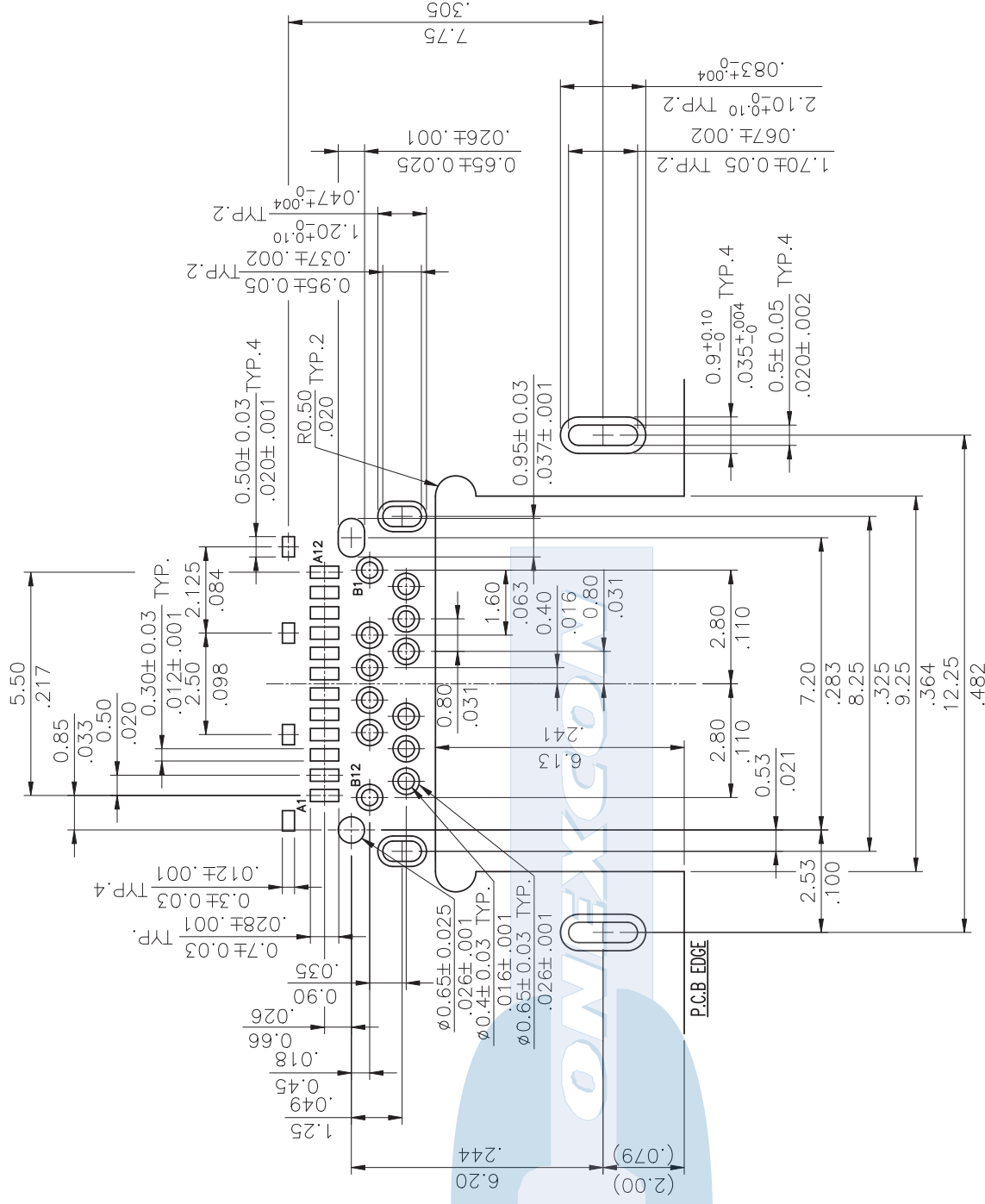


DRAWING NO.	PART NO.	5575 Series
SCALE	4 / 1	SHEET 1 OF 2



\* Pin Assignment

Pin NO.	Signal name	Pin NO.	Signal name
A1	GND	B1	GND
A2	SSTXp1	B2	SSTXp2
A3	SSTXn1	B3	SSTXn2
A4	VBUS	B4	VBUS
A5	CC1	B5	CC2
A6	Dp1	B6	Dp1
A7	Dn1	B7	Dn1
A8	SBU1	B8	SBU2
A9	VBUS	B9	VBUS
A10	SSRXn2	B10	SSRXn1
A11	SSRXp2	B11	SSRXp1
A12	GND	B12	GND



Recommended PCB Layout  
Tolerance  $\pm 0.05$

RoHS Compliant

TITLE: USB TYPE C RIGHT ANGLE

BOARD MOUNT SOCKET

MATERIAL:

FINISH:

UNIT: mm / inch

TOLERANCE  
UNLESS OTHERWISE SPECIFIED

X ± X' ± 1"

.XX ± .X ±

.XXX ± .XX ±

DATE

4/17-15'

4/17-15'

4/17-15'

4/17-15'

DRAWN BY: Ellie

ENGINEER: Sun

CHECKED BY: Easley

APPROVED BY: Easley

SYM NAME DATE

REVISIONS

6

5

4

3

DATE

REVISIONS

DRAWING NO.

PART NO.

5575 Series

SCALE

6 / 1

SHEET 2 OF 2

OMNEXCON