

MICRO USB SOCKET SIDE ENTRY SMT CON.



5570 SERIES. Micro USB Socket A/ B Type.

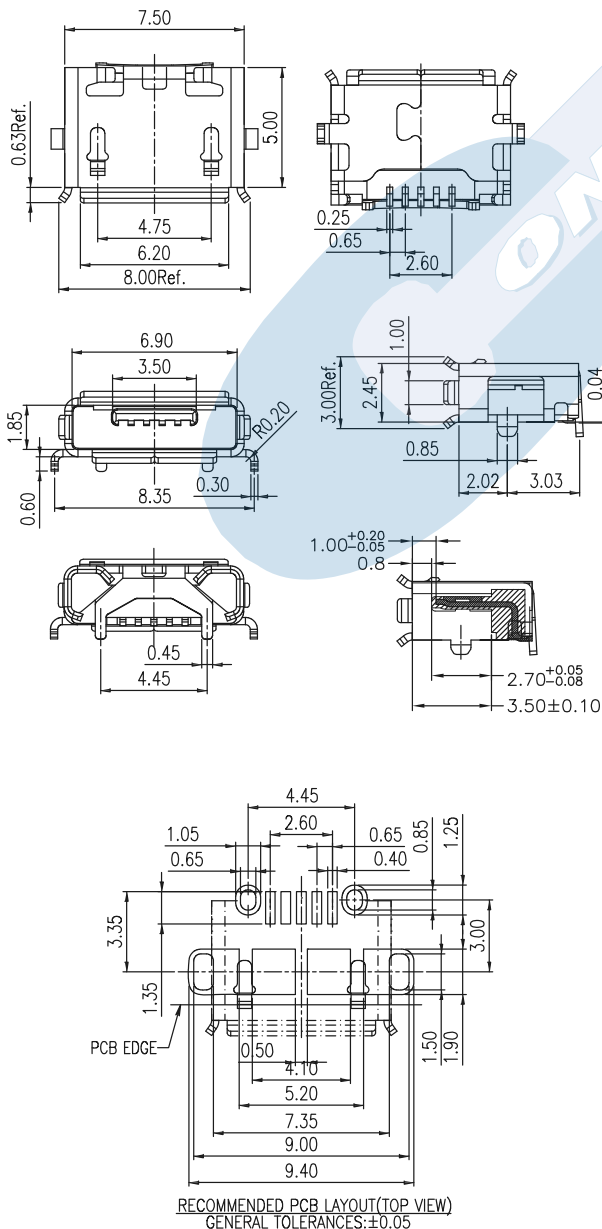
General Features

- Standard Micro Usb connector 5 pins A/B type
- Contact area: selective gold plating over nickel
- Solder area: tin plating over nickel
- With through hole fixing tab

Materials

- Insulator: Thermoplastic high temperature UL 94 V-0
- Contact: Brass
- Shell: stainless steel nickel plated
- Operating temperature. -25°C to +85°C
- RoHS compliant

Dimension Information

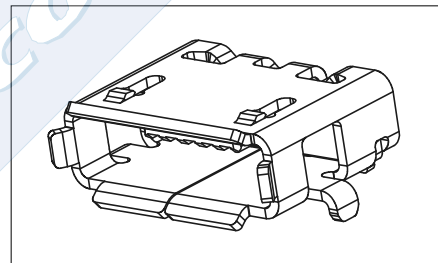


Electrical Features

- Voltage rating: < 100 V
- Current rating signal: 1.8 A (Pin 1 and 5); Others < 1 Amp
- Contact resistance: < 50 mΩ
- Dielectric withstanding Voltage: 100 V AC/minute
- Insulation resistance: >100 MΩ

Mechanical Features

- Mating force: < 3.00 Kgf
- Unmating force: > 1.00 Kgf
- Durability: 3.000 Cycles



5570 - T- 05- 1- E

1 2 3 4 5

1. Series

2. Plating Options

- T = 13. Sel. gold flash over Ni overall
Recommended Finish

3. Number of circuits

- Available in 5 circuits

5. Packing Options

- E = 2. Reel