

# QUICK-FIT CONNECTOR



## 5540 SERIES. Pitch 2.54, 5.08, 7.62, 10.16 and 12.70 mm.

### General Features

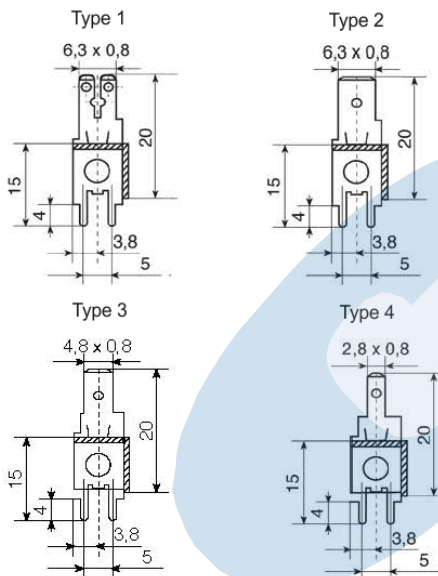
- Available in 2 through 20 circuits
- Allow wire to PCB connections
- Mates with faston 2.8, 4.8 and 6.35 mm.
- 1.30 mm. diameter hole pattern in PCB

### Materials

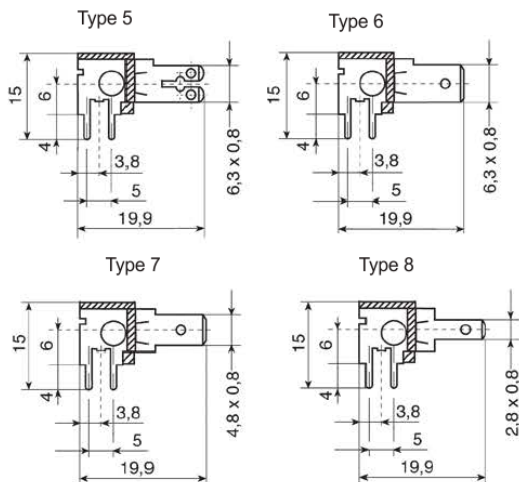
- Insulator: PA 6/6 GF 40% / FMS 336 UL 94 V-0
- Contact: Brass
- Operating temperature. -40°C to + 85°C
- RoHS compliant

### Dimensional Information

#### Straight



#### Right Angle

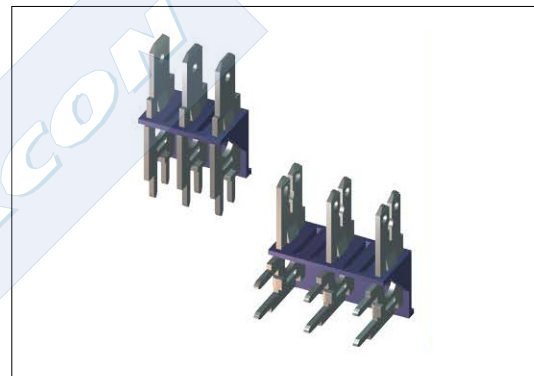


### Electrical Features

- Voltage rating : < 230 V
- Current rating: < 15 A
- Contact resistance: < 20 mΩ

### Mechanical Features

- Durability: 25 cycles



#### Part Number:

**5540 - 2- XX- P- C**  
 1            2            3            4            5

#### 1. Connector series

#### 2. (T) Plating Options

#### 3. (XX) Number of circuits

- Available in X through XX circuits

#### 4. (P) Pitch of connector

- P = 1. 2.54 mm.
- P = 2. 5.08 mm.
- P = 3. 7.62 mm.
- P = 4. 10.16 mm.
- P = 5. 12.70 mm.

#### 5. (C) Type and dimensions of terminal

- C = 1. Type 1 (Straight)
- C = 2. Type 2 (Straight)
- C = 3. Type 3 (Straight)
- C = 4. Type 4 (Straight)
- C = 5. Type 5 (Right Angle)
- C = 6. Type 6 (Right Angle)
- C = 7. Type 7 (Right Angle)
- C = 8. Type 8 (Right Angle)