

# RAST 5 PCB TOP ENTRY MALE



## 5527 SERIES. 5.00 mm. (0.197") pitch.

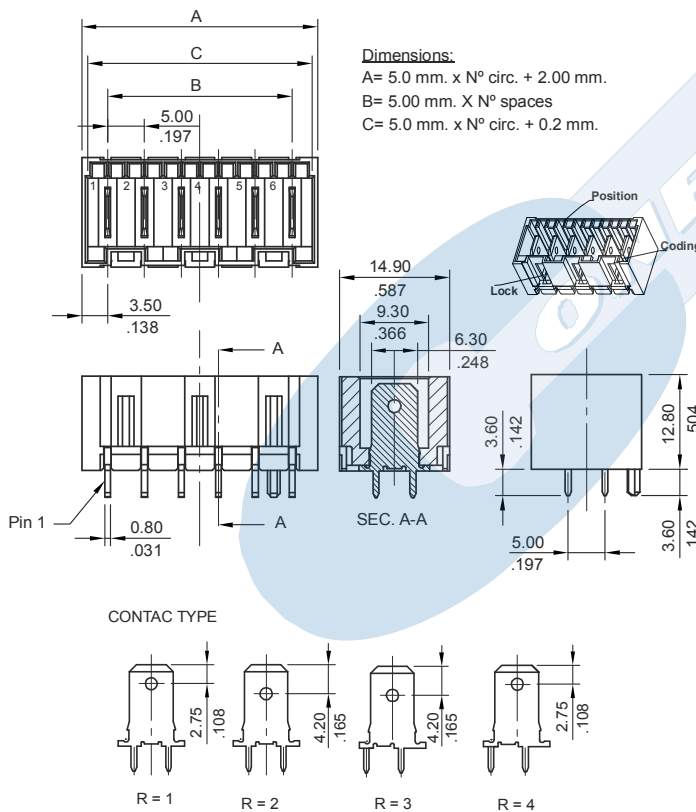
### General Features

- Available in 2 through 12 circuits
- Allow wire to PCB connections
- Mates with RAST 5 crimp housing 5525 series
- Polarised with friction locking

### Materials

- Insulator: PBT UL 94 V-0
- Contact: Brass
- Operating temperature. -40°C to + 110°C
- RoHS compliant

### Dimensional Information



**5527 - T- XX- PK- C- R**  
 1 2 3 4 5 6

### 1. Connector series

### 2. (T) Plating Options

- T=1. Silver plated
- T=2. Tin plated

### 3. (XX) Number of circuits

- Available in 2 through 12 circuits

### 4. (PK) Pin Configuration

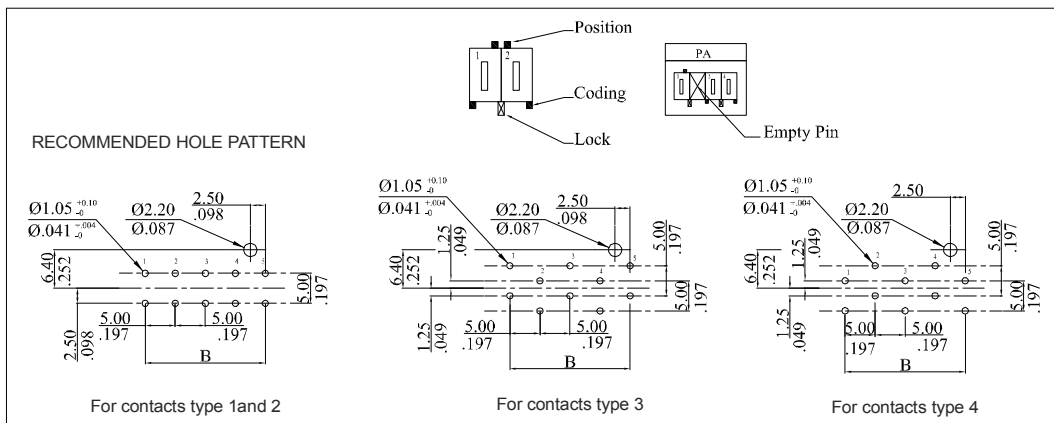
- Replace **P** for the selected connector.  
Check enclosed option in page 2

### 5. (C) Colour

- C = 1. White
- C = 2. Blue

### 6. (R) Contact Type

- R = 1. Standard (2.75 mm.)
- R = 2. Standard (4.20 mm.)
- R = 3. Shifted (4.20 mm.)
- R = 4. Shifted (2.75 mm.)



# RAST 5 PCB TOP ENTRY MALE



**5527 SERIES. 5.00 mm. (0.197") pitch.**

## (PK) Position Key options

\* See from top side

TYPE	0A	0B	0C	0D	0E	0F	0G	0H	0I	0J	0K	0L	0M	0N
KEY/LOCK 2-way														
	0P	0Q	0R	0S	0T	0U	0X	0Z	09	10	11	48	80	86

TYPE	0A	0B	0C	0D	0E	0F	0G	0H	0I	0K	0L
KEY/LOCK 3-way											
	0M	0N	0Q	0W	01	02	03	05	08	10	11
	12	13	1A	2N	2P	32	38	39	40	44	53
	65	80	81	98							

TYPE	0A	0B	0C	0D	0E	0F	0G	0H	0I
KEY/LOCK 4-way									
	0J	0K	0L	0M	0W	01	02	03	04
	05	06	12	17	19	37	43	63	65
	80	81	82	84	86	PA	PB		

# RAST 5 PCB TOP ENTRY MALE



**5527 SERIES. 5.00 mm. (0.197") pitch.**

(PK) Position Key options

TYPE	0A	0B	0C	0D	0E	0F	0G	01
KEY/LOCK 5-way								
	02	03	04	05	06	07	08	09
	11	12	13	14	17	18	20	21
	22	23	24	25	26	27	28	29
	30	31	32	33	34	35	36	43
	49	50	51	64	69	73	80	81
	82	83	84	85	86	87	88	
	PB							

TYPE	0A	0B	0C	0D	0E	01
KEY/LOCK 6-way						
	04	06	14	15	21	29
	30	50	51	71	73	80
	81					

# RAST 5 PCB TOP ENTRY MALE



**5527 SERIES. 5.00 mm. (0.197") pitch.**

## (PK) Position Key options

TYPE	0A	0B	1B	0C	0E	03
KEY LOCK 7-way						
	04	14	22	23	30	31
	32	34	35	38	40	41
	42	43	45	48	51	59
	69	76	80	81	83	P6

TYPE	0A	0C	0D	0E	08	10
KEY LOCK 8-way						
	21	30	33	41	44	45
	46	48	49	57	58	62
	63	77	80	81		

TYPE	0A	0B	0C	0D	08
KEY LOCK 9-way					
	31	42	43	48	49
	52	53	57	58	
	80	81			

# RAST 5 PCB TOP ENTRY MALE



**5527 SERIES.** 5.00 mm. (0.197") pitch.

**(PK) Position Key options**

TYPE	0A	01	02	30
KEY/LOCK 16-way				

TYPE	0A	0B	0C	01
KEY/LOCK 11-way				

TYPE	27	30	59	65
KEY/LOCK 12-way				

