

CRIMP FEMALE TERMINAL



5526 SERIES. Rast 5 terminal.

General Features

- Accommodates wire range AWG 14 through 18
- Use in housing RAST 5 5525 series
- Flange contact with tin plated locking lance
- Maximum insulation diameter 4.57 mm. (0.180")

Materials

- Contact: Brass tin plated Brass (Thickness: 0.35 mm.)
- Operating temperature: -40°C to +110°C

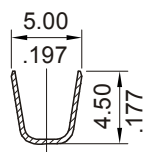
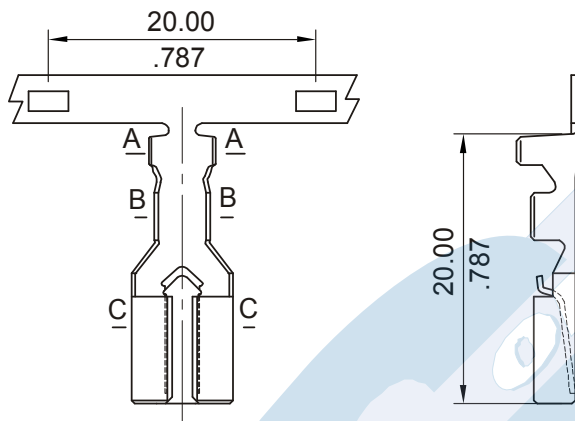
Electrical Features

- Current rating: < 16 A
- Contact resistance: < 20 mΩ

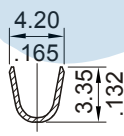
Mechanical Features

- Insertion force: < 2.50 Kgf
- Withdrawal: > 1 Kgf (0,80 mm male terminal)
- Durability: 25 cycles

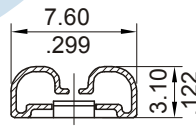
Dimensional Information



Sec. A-A



Sec. B-B



Sec. C-C

5526 - T- 00- E
1 2

1. Terminal Series

2. (T) Contact Plating

- T = 2. Tin plated

2. (E) Packing Options

- E = 0. Chain
- E = 1. Loose Piece

